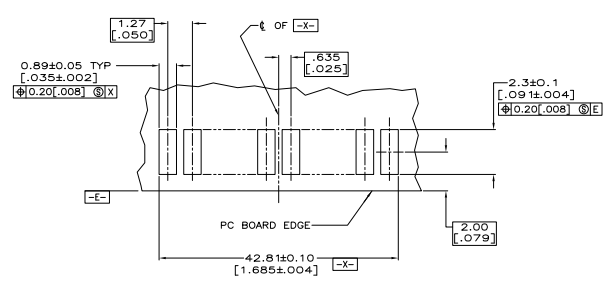
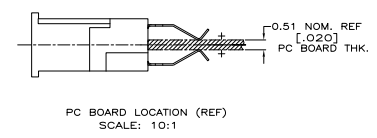


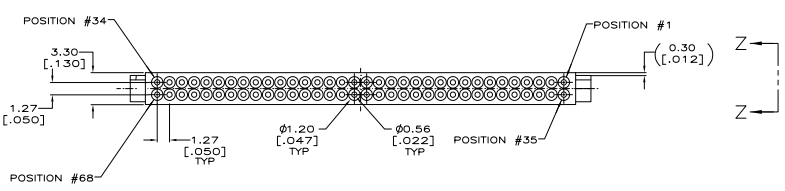
- ▲ HOUSING: LCP, GLASS FILLED, COLOR: BLACK.
- ▲ CONTACTS: BERYLLIUM COPPER.
- ▲ CONTACTS: 0.00076[.00030] MINIMUM GOLD ON MATING AREA, 0.00254[.00100] MINIMUM TIN ON SOLDER TAIL, ALL OVER 0.00127[.00050] MINIMUM NICKEL.
- 4. POINT OF CONTACT 2.3[.091] REF FROM MATING FACE.



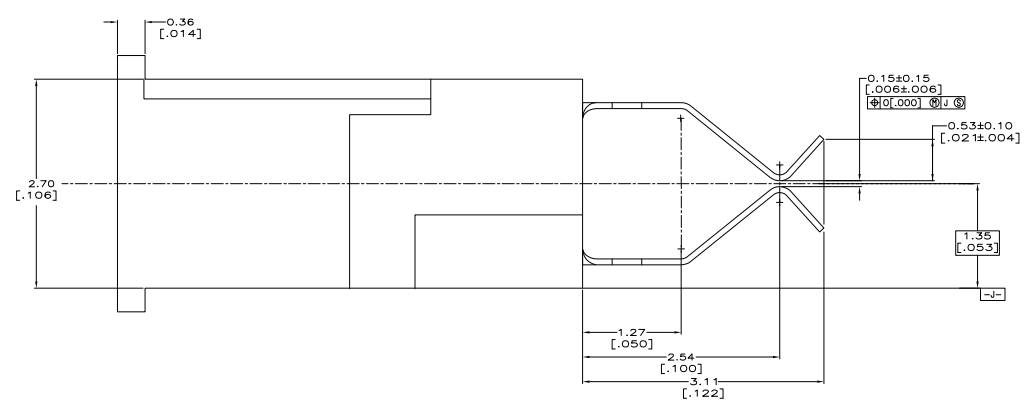
RECOMMENDED PC BOARD LAYOUT
SCALE 10:1



PC BOARD LOCATION (REF)
SCALE: 10:1



Z-Z



VIEW Z-Z
SCALE 40:1

**COPYRIGHT 2005
TYCO ELECTRONICS CORP
ALL RIGHTS RESERVED**

68	5146233-1
POSITIONS	PART NUMBER

THIS DRAWING IS A CONTROLLED DOCUMENT		EC 0515-0008-05 EC 0515-0008-05 EC 0515-0008-05 EC 0515-0008-05		Tyco Electronics Corporation Harrisburg, PA 17105-3608	
DIMENSIONS: mm UNLESS OTHERWISE SPECIFIED: DECIMALS: .001 FRACTIONS: 1/100 ANGLES: 1/16 TOLERANCES: AS SHOWN	DRAWN BY: M. WILMSLEY CHECKED BY: J. GOSWAMI DATE: 02-21-05	TITLE: RCPT ASSEMBLY, 68 POSITION, CENTERED STRADDLE MOUNT, AMP MEMORY CARD	SIZE: A1 DATE: 02-21-05 DRAWING NO: 5146233	REVISIONS: 1 SHEET: 1 OF 1	CUSTOMER DRAWING