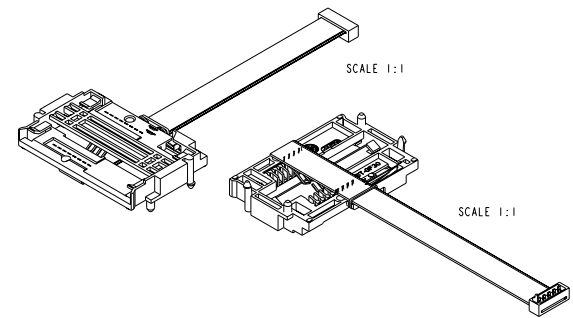


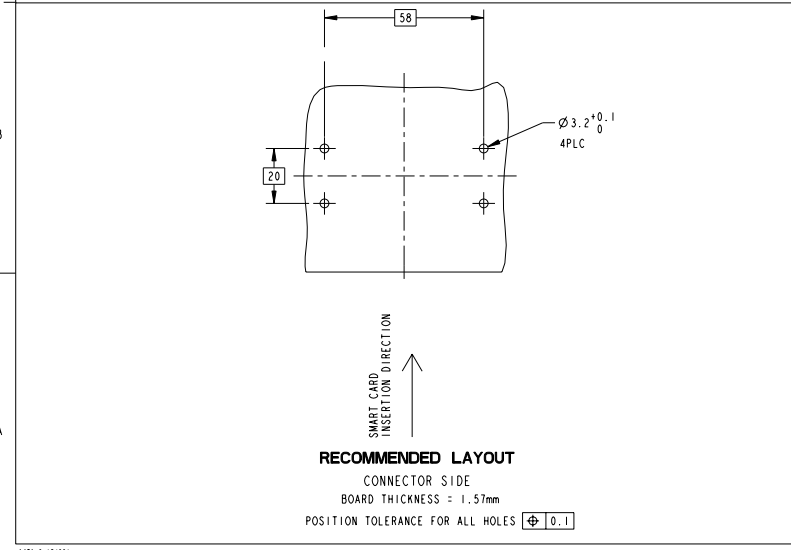
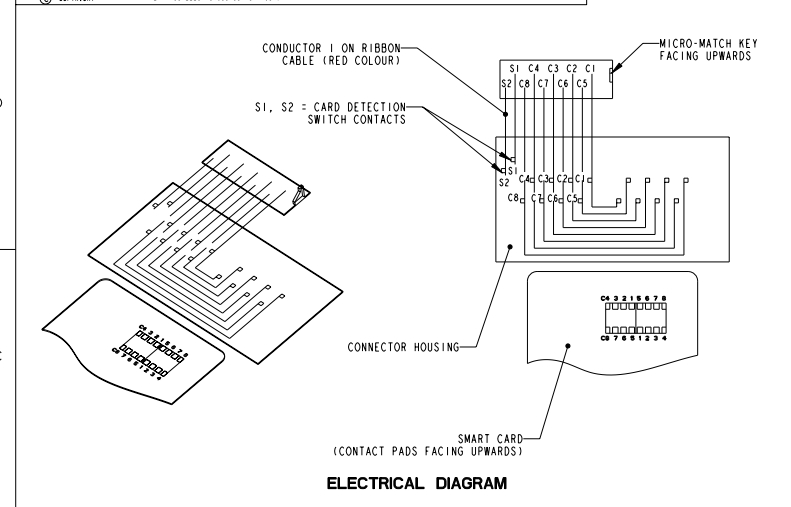
LOC	DISP	REVISIONS			
P	LY	DESCRIPTION	DATE	DRW	APV
A		EH10-0478-04	30NOV2004	RC	PJ
B		FCR-09-024818	12 NOV 2009	GG	PCH



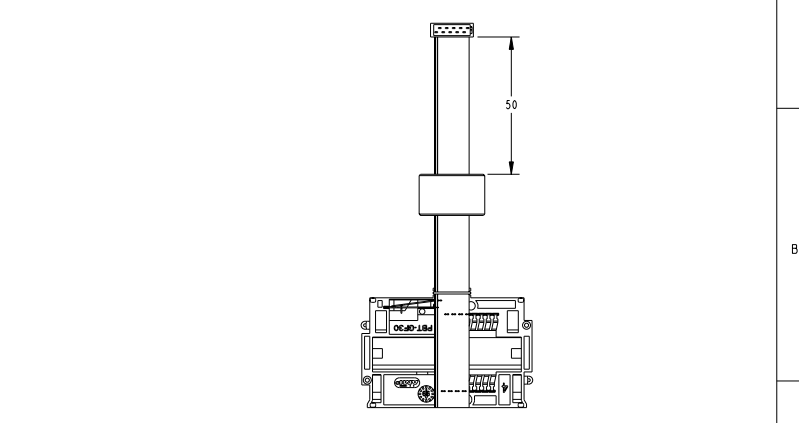
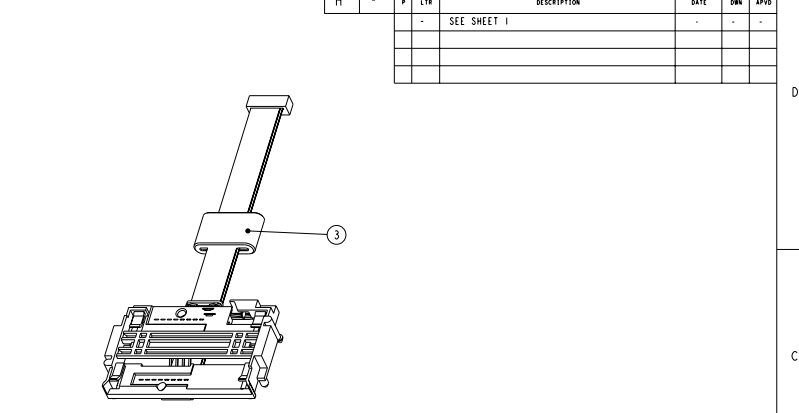
- ⚠ SMART CARD READER : PBT G-F BLACK, UL94V0
- SIGNAL AND SWITCH CONTACTS : PHOSPHOR BRONZE
- ⚠ ALL CONTACTS : 0.76 micron GOLD ON MATING AREAS,
- 2.5 micron TIN (LEADFREE/MATTE) ON IDC AREA,
- ALL OVER 1 micron NICKEL (OR)
- ⚠ SMART CARD READER CONTACTS:PLATING:0.08 micron GOLD ON MATING AREAS
- OVER PDNI PLATED 0.3 micron NICKEL UNDERPLATING 2 micron.
- ON SOLDERTAILS AREA 2.5 micron TIN (LEADFREE/MATTE)
- 3 UL STYLE 2651 RIBBON CABLE AND,
- 10 POSITIONS MICRO-MATCH CONNECTOR;
- TO BE MATED WITH
- 1-215079-0 THROUGH HOLE VERSION OR 1-188275-0 SMT VERSION.
- 4 TE SMART CARD RECEPTACLE DESIGNED TO ACCEPT ISO 7810-7816 TYPE
- INTEGRATED CIRCUIT SMART CARDS (0.76 mm REF. THICKNESS)

	1	-	-	-	-	FERRITE CORE (SEE SHEET 2)	3
	1	1	-	-	-	RIBBON CABLE ASS'Y, L = 80mm	2
	-	-	1	-	-	RIBBON CABLE ASS'Y, L = 150mm	2
	-	-	-	1	-	RIBBON CABLE ASS'Y, L = 305mm	2
	-	-	-	-	1	RIBBON CABLE ASS'Y, L = 100mm	2
	1	1	1	1	1	SMART CARD READER ASS'Y 8 POS.	1
						WITH METAL STRAIN RELIEF	
ASS'Y P/N 5953131	-5	-4	-3	-2	-1	DESCRIPTION	ITEM
Qty per ASS'Y							

DIMENSIONS: mm		TO BE MATED WITH: OPERATING SPEC:		DWG: 30-Nov-04 CDR: Coolen APPR: Jansen NAME: Jansen	TYCO ELECTRONICS NEDERLAND B.V. 'S-HERTOGENBOSCH, THE NETHERLANDS
MATERIAL:		FINISH:		PRODUCT SPEC: 108-15174 APPLICATION SPEC:	SMART CARD READER WITH RIBBON CABLE 8 POSITIONS
WEIGHT:		ANGLE:		SIZE: A2 CAGE CODE:	DRAWING NO: G-5953131 RESTRICTED TO:
CUSTOMER DRAWING				SCALE: 2:1	SHEET 1 OF 2 REV B



1471-9 (2/99)



PN 5953131-5 AS SHOWN

DIMENSIONS: mm		TO BE MADE TO ORDER OPERATING SPECIFICATIONS		DW 30-Nov-04 R Coolen CM Jansen APD Jansen	TYCO ELECTRONICS NEDERLAND B.V. 'S-HERTOGENBOSCH, THE NETHERLANDS
MATERIAL: TWISSA		WEIGHT: - CUSTOMER DRAWING		NAME: Jansen PRODUCT SPEC: - APPLICATION SPEC: - SIZE: A2 CAGE CODE: - DRAWING NO: 5953131	RESTRICTED TO: - SCALE: 2:1 SHEET 2 OF 2 REV B