

4

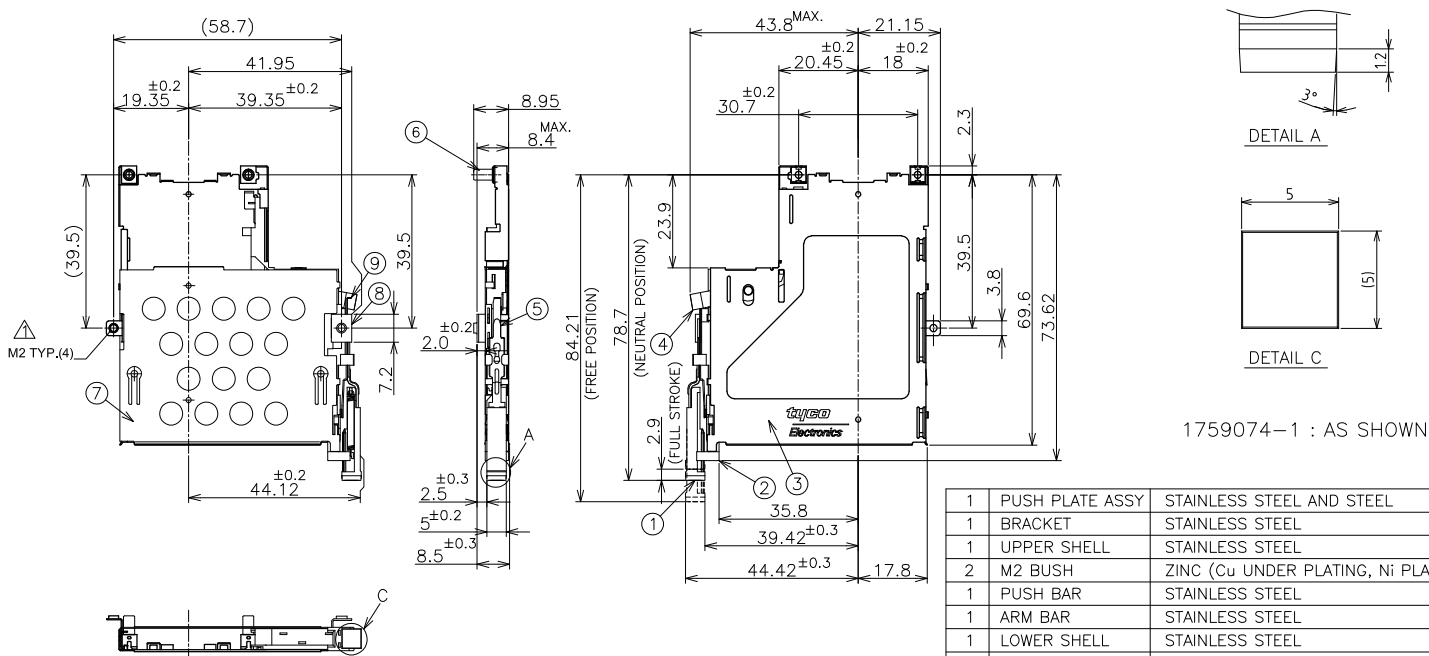
3

2

1

THIS DRAWING IS UNPUBLISHED. RELEASED FOR PUBLICATION  
 © COPYRIGHT BY TYCO ELECTRONICS CORPORATION. ALL RIGHTS RESERVED.

LOC	DIST	REVISIONS			
P	LTR	DESCRIPTION	DATE	DWN	APVD
C		ECR-06-021395	5SEP06	V.P	H.K



1759074-1 : AS SHOWN

QTY	NAME	MATERIAL	ITEM
1	PUSH PLATE ASSY	STAINLESS STEEL AND STEEL	(9)
1	BRACKET	STAINLESS STEEL	(8)
1	UPPER SHELL	STAINLESS STEEL	(7)
2	M2 BUSH	ZINC (Cu UNDER PLATING, Ni PLATING)	(6)
1	PUSH BAR	STAINLESS STEEL	(5)
1	ARM BAR	STAINLESS STEEL	(4)
1	LOWER SHELL	STAINLESS STEEL	(3)
1	HSG ARM	THERMO PLASTIC, UL94-V0, COLOR:BLACK	(2)
1	BUTTON	THERMO PLASTIC, UL94-V0, COLOR:BLACK	(1)

DIMENSIONS:		TOLERANCES UNLESS OTHERWISE SPECIFIED:		MATERIAL		FINISH	
mm		0 PLC	± 0.5				
		1 PLC	± 0.5				
		2 PLC	± 0.5				
		3 PLC	± 0.5				
		4 PLC	± 0.5				
		ANGLES	± 1°				

THIS DRAWING IS A CONTROLLED DOCUMENT.		DWN V.PENG 5SEP06		Tyco Holdings (Bermuda)		
		CHK M.CHAO 10FEB06		VII LTD, Taiwan Branch		
		APVD H.KODAMA 10FEB06		NAME		
		PRODUCT SPEC		EJECTOR ASSEMBLY		
		APPLICATION SPEC		EXPRESS CARD CONNECTOR BOTTOM MOUNT H=2.0		
		108-99000		RIGHT PUSH-PUSH BUTTON		
MATERIAL		WEIGHT	SIZE	CAGE CODE	DRAWING NO	RESTRICTED TO
SEE TABLE		15.7 g	A3	00779	C=1759074	
CUSTOMER DRAWING				SCALE	SHEET	REV
				1:1	1 OF 3	C

4

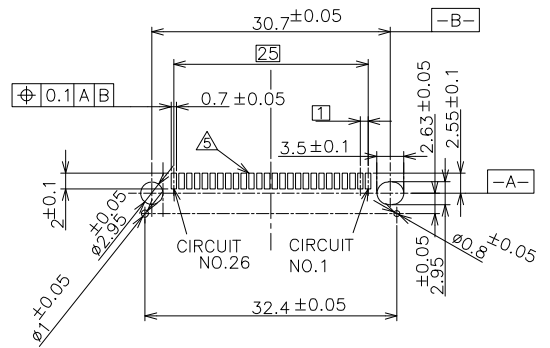
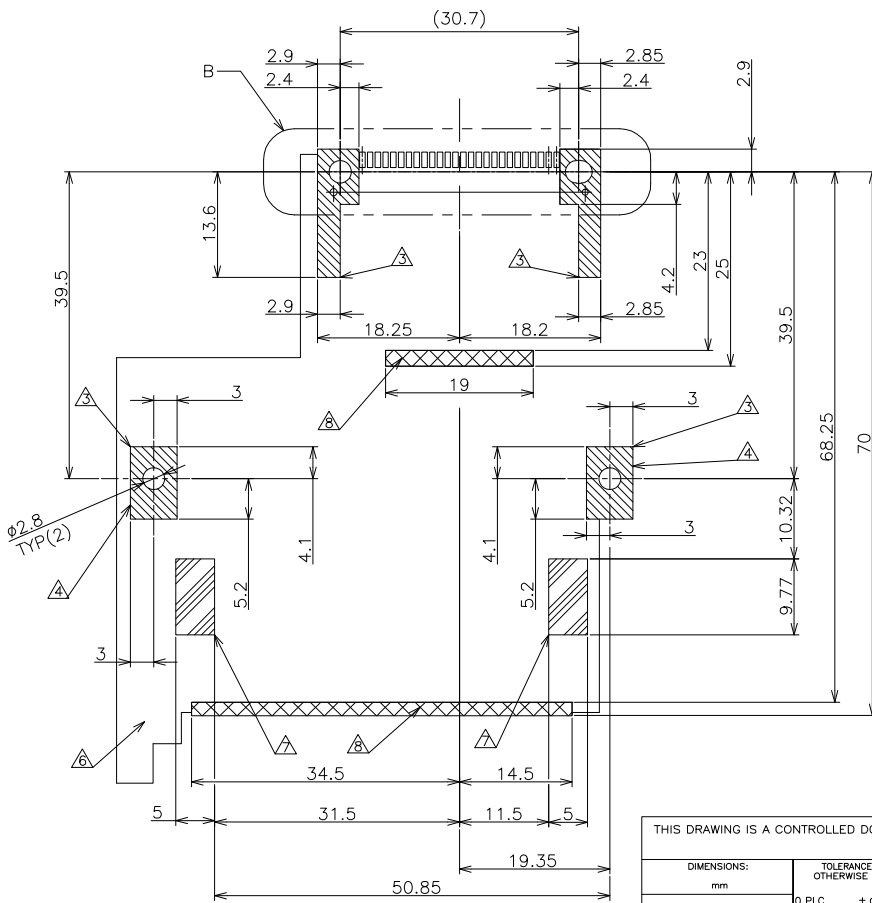
3

2

1

THIS DRAWING IS UNPUBLISHED. RELEASED FOR PUBLICATION  
 © COPYRIGHT BY TYCO ELECTRONICS CORPORATION. ALL RIGHTS RESERVED.

LOC	DIST	REVISIONS			
P	LTR	DESCRIPTION	DATE	DWN	APVD
DW		SEE SHEET 1			



DETAIL B

REFERENCE P.W.B. LAYOUT  
 (VIEW FROM CONNECTOR MOUNTING SIDE)

THIS DRAWING IS A CONTROLLED DOCUMENT.		DWN	Tyco Electronics		Tyco Holdings (Bermuda) VII LTD, Taiwan Branch
DIMENSIONS:	TOLERANCES UNLESS OTHERWISE SPECIFIED:	CHK	NAME	EJECTOR ASSEMBLY	
mm	0 PLC ± 0.5	APVD	PRODUCT SPEC	EXPRESS CARD CONNECTOR BOTTOM MOUNT H=2.0	
	1 PLC ± 0.5	APPLICATION SPEC	SIZE	CAGE CODE	DRAWING NO
	2 PLC ± 0.5	WEIGHT	A3	00779	C=1759074
	3 PLC ± 0.5	CUSTOMER DRAWING	SCALE	SHEET	OF
	4 PLC ± 0.5		2:1	2	3
MATERIAL	FINISH			REV	C

4

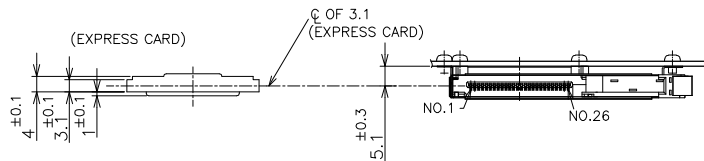
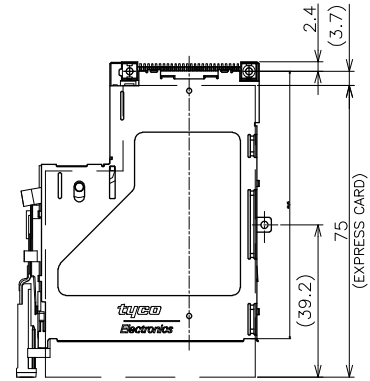
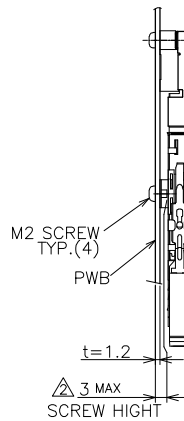
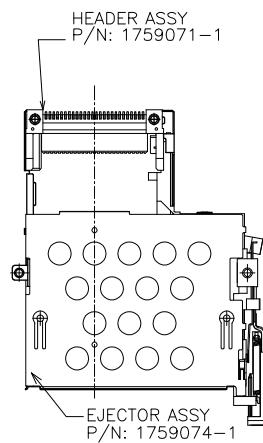
3

2

1

THIS DRAWING IS UNPUBLISHED. RELEASED FOR PUBLICATION  
 © COPYRIGHT - BY TYCO ELECTRONICS CORPORATION. ALL RIGHTS RESERVED.

LOC	DIST	REVISIONS			
P	LTR	DESCRIPTION	DATE	DWN	APVD
-	-	SEE SHEET 1	-	-	-



REFERENCE FIGURE WHICH ATTACHED  
 HEADER ASSEMBLY

- NOTE.
- ⚠ RECOMENDED TIGHTENING TORQUE 0.1Nm
  - ⚠ M2 SCREW HEIGHT(IN CASE OF PWB t=1.2)
  - ⚠ NO COMPONENT AND NO SIGNAL LINE AREA
  - ⚠ GROUNDING PAD
  - ⚠ SOLDERING PAD
  - ⚠ STAND OFF AREA 2.0mm
  - ⚠ STAND OFF AREA 1.5mm
  - ⚠ STAND OFF AREA 1.7mm

THIS DRAWING IS A CONTROLLED DOCUMENT.		DWN	Tyco Holdings (Bermuda)	
DIMENSIONS: mm		CHK	VII LTD, Taiwan Branch	
TOLERANCES UNLESS OTHERWISE SPECIFIED:		APVD	NAME	
0 PLC ± 0.5		PRODUCT SPEC	EJECTOR ASSEMBLY	
1 PLC ± 0.5		APPLICATION SPEC	EXPRESS CARD CONNECTOR BOTTOM MOUNT H=2.0	
2 PLC ± 0.5		WEIGHT	RIGHT PUSH-PUSH BUTTON	
3 PLC ± 0.5		CUSTOMER DRAWING	SIZE	RESTRICTED TO
4 PLC ± 0.5			A3	
ANGLES ± 1°			CAGE CODE	DRAWING NO
FINISH			00779	1759074
		SCALE	1:1	SHEET 3 OF 3
		REV	C	