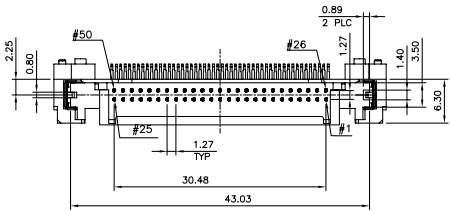


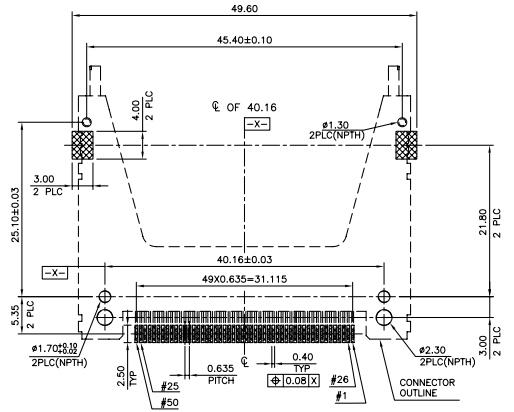
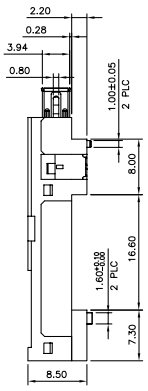
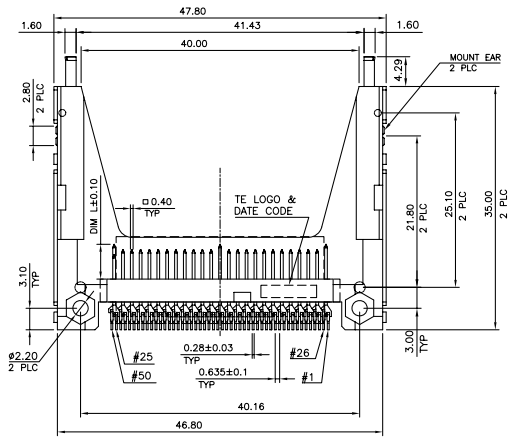


THIS DRAWING IS UNPUBLISHED. RELEASED FOR PUBLICATION  
 © COPYRIGHT BY TYCO ELECTRONICS CORPORATION. ALL RIGHTS RESERVED.

LOC		DIST		REVISIONS			
P	LTR	DESCRIPTION	DATE	DWN	APVD		
		SEE SHEET 1.					

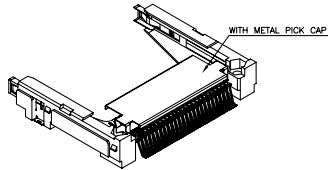
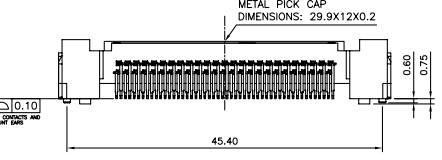


POWER	5.00mm
GENERAL	4.25mm
DETECT	3.50mm
PIN TYPE	INTERFACE DIM. L



RECOMMENDED P.C.B. LAYOUT  
 SOLDERING AREA (TOLERANCE: ±0.05)

- NOTE:  
 1. MATERIAL:  
 HOUSING: LCP WITH 30% GF, UL 94V-0, WHITE COLOR.  
 CONTACTS: BRASS.  
 MOUNT EAR: BRASS.  
 GROUNDING: PHOSPHOR BRONZE.  
 PICKCAP: STEEL.  
 2. FINISH:  
 CONTACTS: 0.381μm [15μ] GOLD PLATED ON CONTACT AREA,  
 2.54μm [100μ] MIN. MATTE-TIN ON SOLDER TAIL, WITH  
 ENTIRE CONTACT UNDERPLATED 1.27μm [50μ] MIN. NICKEL.  
 MOUNT EAR: 2.54μm [100μ] MIN. TIN PLATED ON SOLDER AREA  
 1.27μm [50μ] MIN. NICKEL UNDERPLATED ALL OVER.  
 GROUNDING: 2.03μm [80μ] MIN. NICKEL UNDERPLATED ALL OVER.  
 3. REFLOW SOLDER CAPABLE TO 260°C PER TE TEST SPEC.  
 109-201, CONDITION B.

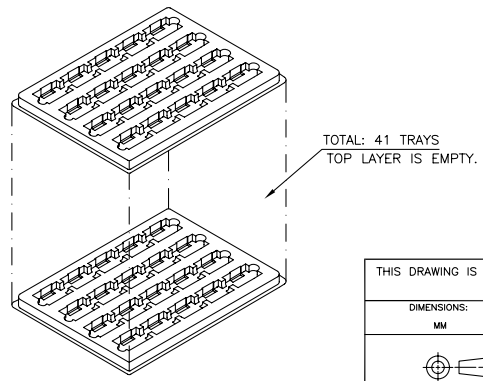
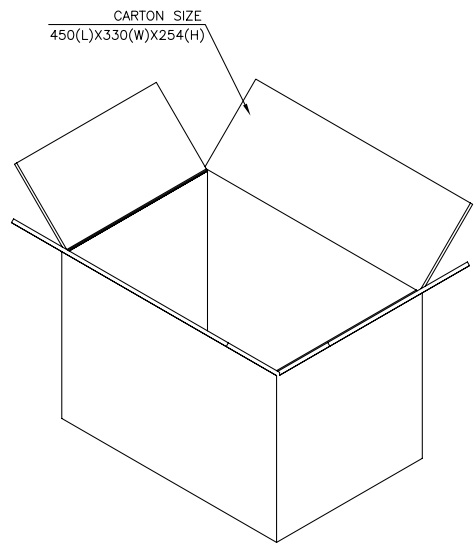
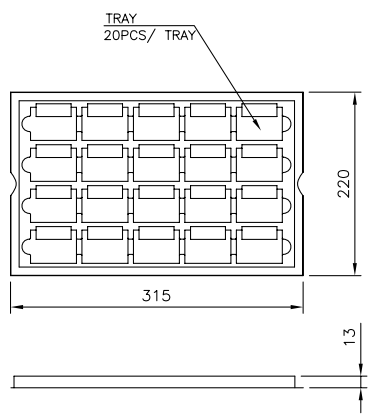


REEL	W/	1-1734450-2
PACKAGE	METAL CAP	PART NUMBER

THIS DRAWING IS A CONTROLLED DOCUMENT.		DWN	Tyco Electronics Corporation Taipei, Taiwan	
DIMENSIONS: MM		CHK	NAME	
TOLERANCES UNLESS OTHERWISE SPECIFIED:		APVD	PRODUCT SPEC	
0 PLC ± 0.5		QUALIFICATION TEST REPORT	PIN HEADER TYPE 2, 50 POS, SMT, TOP BOARD, COMPACT FLASH CARD, STAND OFF 2.2	
1 PLC ± 0.3		WEIGHT 4.64 GRAMS	SIZE A3	CAGE CODE 00779
2 PLC ± 0.2		CUSTOMER DRAWING	DRAWING NO. C=1734450	RESTRICTED TO
3 PLC ±		SCALE	SHEET 2 of 4	REV A2
4 PLC ±				
ANGLES ± 2'				
MATERIAL SEE NOTE	FINISH SEE NOTE			

THIS DRAWING IS UNPUBLISHED. RELEASED FOR PUBLICATION  
 © COPYRIGHT BY TYCO ELECTRONICS CORPORATION. ALL RIGHTS RESERVED.

LOC		DIST		REVISIONS			
P	LTR	DESCRIPTION	DATE	DWN	APVD		
		SEE SHEET 1.					



G.W	N.W	QUANTITY
7.3 Kg	6.5 Kg	800

THIS DRAWING IS A CONTROLLED DOCUMENT.		DWN	Tyco Electronics Corporation Taipei, Taiwan	
DIMENSIONS: MM		CHK	NAME	
TOLERANCES UNLESS OTHERWISE SPECIFIED:		APVD	PIN HEADER TYPE 2, 50 POS, SMT, TOP BOARD, COMPACT FLASH CARD, STAND OFF 2.2	
0 PLC ± -		PRODUCT SPEC	SIZE CAGE CODE DRAWING NO	
1 PLC ± -		APPLICATION SPEC	A3 00779 C=1734450	
2 PLC ± -		WEIGHT	RESTRICTED TO	
3 PLC ± -			CUSTOMER DRAWING	
4 PLC ± -			SCALE SHEET 3 of 4 REV A2	
ANGLES ± -				
MATERIAL FINISH				

4

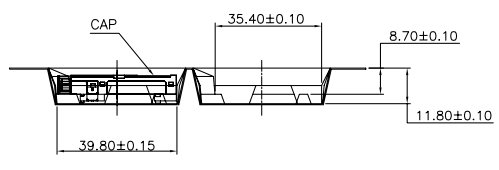
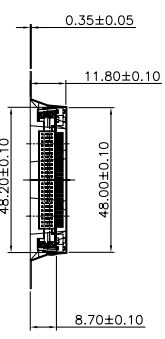
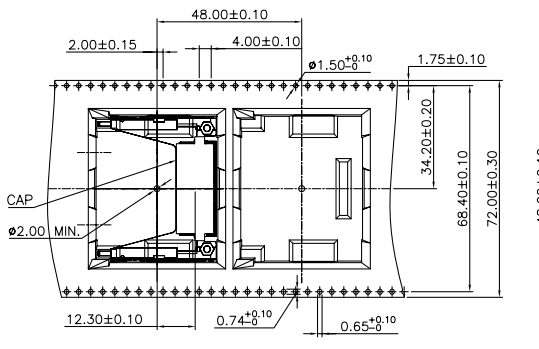
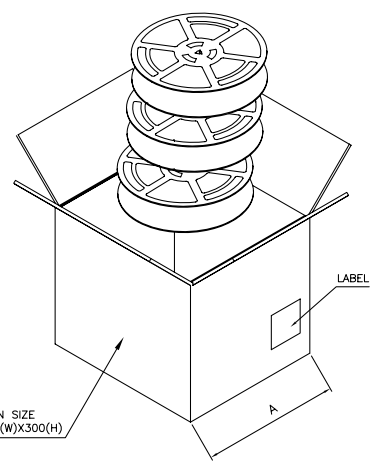
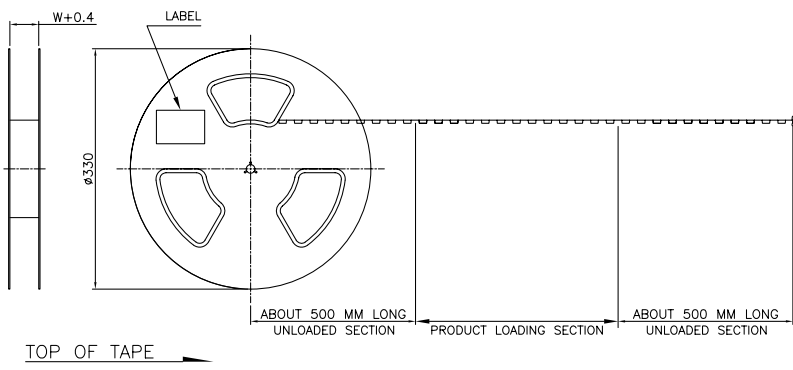
3

2

1

THIS DRAWING IS UNPUBLISHED. RELEASED FOR PUBLICATION  
 © COPYRIGHT BY TYCO ELECTRONICS CORPORATION. ALL RIGHTS RESERVED.

LOC	DIST	REVISIONS			
P	LTR	DESCRIPTION	DATE	DWN	APVD
		SEE SHEET 1.			



24	120	5	600	9	3.2
DIM	W	PCS/REEL	REELS/CARTON	QUANTITY (PCS)	G/W (Kg) N/W (Kg)

THIS DRAWING IS A CONTROLLED DOCUMENT.		DWN		Tyco Electronics Corporation Taipei, Taiwan	
DIMENSIONS: MM		CHK		NAME	
TOLERANCES UNLESS OTHERWISE SPECIFIED:		APVD		PIN HEADER TYPE 2, 50 POS, SMT, TOP BOARD, COMPACT FLASH CARD, STAND OFF 2.2	
0 PLC ± -		PRODUCT SPEC		SIZE CAGE CODE DRAWING NO	
1 PLC ± -		APPLICATION SPEC		A3 00779 C=1734450	
2 PLC ± -		WEIGHT		RESTRICTED TO	
3 PLC ± -		CUSTOMER DRAWING		SCALE SHEET 4 of 4 REV A2	
4 PLC ± -					
ANGLES ± -					
MATERIAL FINISH					

AMP 1470-19 REV 31MAR2000