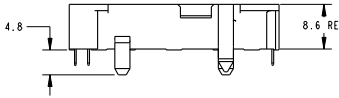
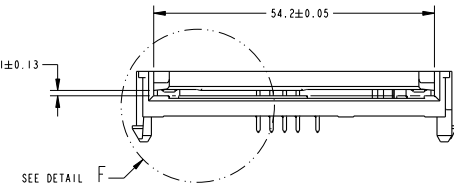
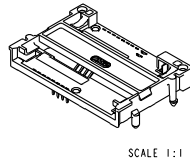
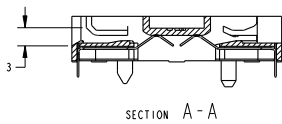
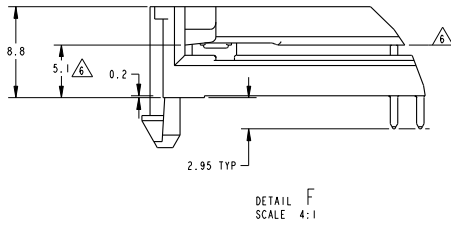
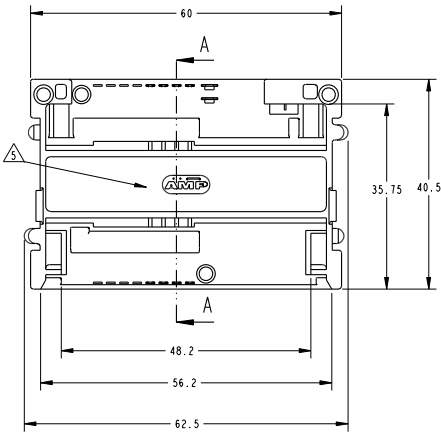


THIS DRAWING IS UNPUBLISHED. RELEASED FOR PUBLICATION
 BY TYCO ELECTRONICS CORPORATION. ALL INTERNATIONAL RIGHTS RESERVED.

LOC	REV	DATE	DESCRIPTION	BY	CHKD
H	-				
	A	EH10-0478-04			
	B	ECR-07-002721			
	C	ECR-09-024818			



- △ SMART CARD READER: PBT G-F, BLACK UL 94V0
SIGNAL AND SWITCH CONTACTS: PHOSPHOR BRONZE.
- △ ALL CONTACTS: 0.76 micron GOLD ON MATING AREAS,
2.5 micron TIN (LEADFREE/MATTE) ON IDC AREA,
ALL OVER 1 micron NICKEL (OR)
- △ SMART CARD READER CONTACTS: PLATING: 0.08 micron GOLD ON MATING AREAS
OVER PDN1 PLATED 0.3 micron NICKEL UNDERPLATING 2 micron,
ON SOLDER TAILS AREA 2.5 micron TIN (LEADFREE/MATTE)
- △ IF SMART CARD RECEPTACLE DESIGNED TO ACCEPT
ISO 7810-7816 TYPE INTEGRATED CIRCUIT SMART
CARDS (0.76mm REF. THICKNESS)
SEE SHEET 2/2
- 4 8 POSITIONS 5953398-1 SHOWN ON DRAWING
- △ LOGO SHAPE AND POSITION VARY DEPENDING ON
MOLD CAVITY NUMBER.
- △ DIMENSION APPLICABLE IN CARD CONTACT AREA ONLY.
SURFACE VARY DEPENDING ON MOLD CAVITY NUMBER.



PartNumber : 5953398-1	8 POSITIONS ISO 7816
PartNumber : 5953398-2	16 POSITIONS ISO / CP8 AFNOR

TYCO ELECTRONICS CORPORATION		TYCO ELECTRONICS NEDERLAND B.V.	
1471-B-127891		'S-HERTOEGEBOSCH, THE NETHERLANDS	
DIMENSIONS: mm		DATE: 16 Dec 04	
TOLERANCES UNLESS OTHERWISE SPECIFIED:		DESIGNER: P. Coolen	
0 PLC	±0.5	DRAWN: W. Janssen	
1 PLC	±0.3	CHECKED: P. Janssen	
2 PLC	±0.13	NAME: SMART CARD READER 0.76	
3 PLC	±0.1	PRODUCT SPEC: 108-15202	
4 PLC	±0.1	APPLICATION SPEC:	
MATERIAL:		SIZE: A2	CASE CODE: 5953398
FINISH:		WEIGHT: 8.5/9 g	DRAWING NO: 5953398
		CUSTOMER DRAWING	RESTRICTED TO: -
		SCALE: 2:1	SHEET: 1 of 2
			REV: C

