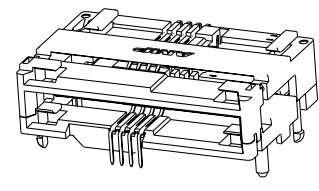
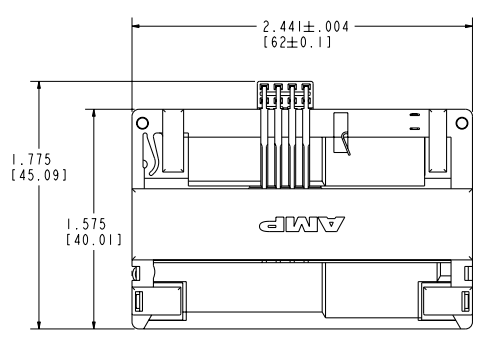
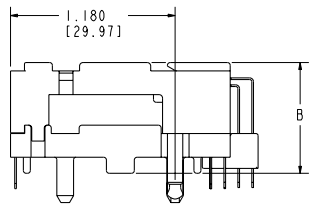
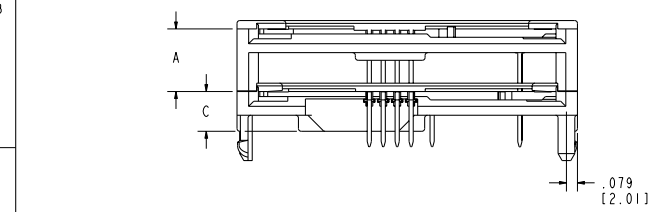


REVOLUTIONS		DATE	BY	APPD
0	RELEASED PER OS13-0027-05	27NOV05	GP	JG
01	REVISED PER ECO-09-025699	11DEC2009	KK	AEG



- △ MATERIAL:  
HOUSING - PBT, 30% GLASS FILLED, BLACK  
CONTACT - PHOSPHOR BRONZE  
CONTACT PLATING - GOLD IN MATING AREA  
(SEE TABLE FOR THICKNESS), OVER 50  
MICROINCHES NICKEL; 100 MICROINCHES  
TIN ON SOLDER TAILS.
- 3. SWITCH STYLE - NORMALLY CLOSED.
- △ OBSOLETE PARTS: OBSOLETE CIS STREAMLINING  
PER D.RENAUD/D.SINISI

B WAS TAB 1486295-SALE



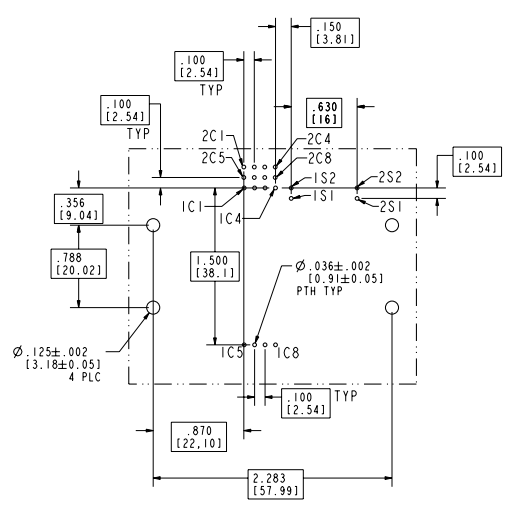
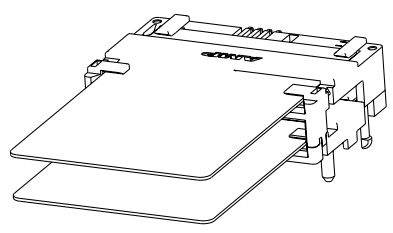
GOLD PLATING THICKNESS	C	B	A	PART NO.
30 MICROINCHES	.285 [7.24]	.970 [24.64]	.625 [15.88]	6369097-3
100 MICROINCHES	.285 [7.24]	.794 [20.17]	.449 [11.4]	6369097-2
30 MICROINCHES	.285 [7.24]	.794 [20.17]	.449 [11.4]	6369097-1

△ OBSOLETE

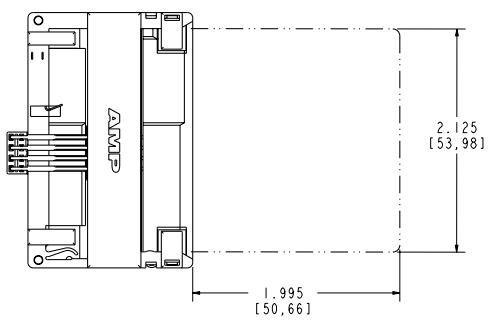
OWN	G. PETERS	27NOV05	 Tyco Electronics Corporation Harrisburg, PA 17105-3608
CHK	D. GORENC	27NOV05	
APPD	M. WALMSLEY	27NOV05	NAME
DIMENSIONS: INCHES (mm)			PRODUCT SPEC
TOLERANCES UNLESS OTHERWISE SPECIFIED:			APPLICATION SPEC
0 PLC	±		WEIGHT
1 PLC	±		SIZE
2 PLC	±		CASE CODE
3 PLC	±	.005	DRAWING NO
4 PLC	±		RESTRICTED TO
ANGLES	±		
MATERIAL	FINISH		

CUSTOMER DRAWING SCALE 2:1 SHEET 1 OF 2 REV 01

LOC	DIST	REVISIONS					
GP	00	P	LYR	DESCRIPTION	DATE	BY	APPR
		-	-	SEE SHEET 1	-	-	-



**RECOMMENDED PCB LAYOUT (.062 THICK),  
 COMPONENT SIDE**  
 POSITION TOLERANCE ON ALL HOLES:  $\varnothing \pm .006 [0.15]$



SMART CARDS SHOWN FULLY INSERTED.  
 DIMENSIONS ARE IN ACCORDANCE WITH  
 ISO 7810 - 7816 (0.030" THICKNESS).

DIMENSIONS: INCHES (mm)		TO DIMENSIONS UNLESS OTHERWISE SPECIFIED: 0 PLC ±.010 1 PLC ±.005 2 PLC ±.005 3 PLC ±.005 4 PLC ±.005 ANGLES ±.010 FINISH		DWN: G. PETERS 27NOV05 CDR: D. GORENC 27NOV05 APPR: M. WALMSLEY 27NOV05	Tyco Electronics Corporation Harrisburg, PA 17105-3608
MATERIAL:		APPLICATION SPEC:		NAME: STACKED ASSEMBLY, SMART CARD READER	RESTRICTED TO:
WEIGHT:		CUSTOMER DRAWING:		SIZE: A2 CASE CODE: 00779 DRAWING NO: 6369097	SCALE: 2:1 SHEET: 2 OF 2 REV: 01