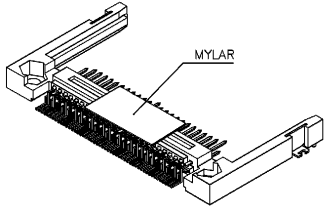
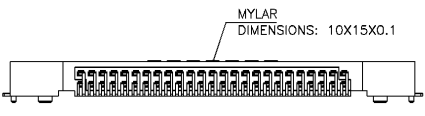
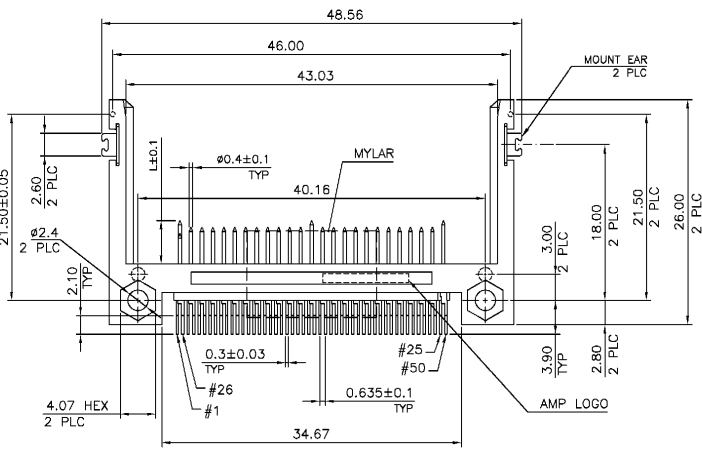
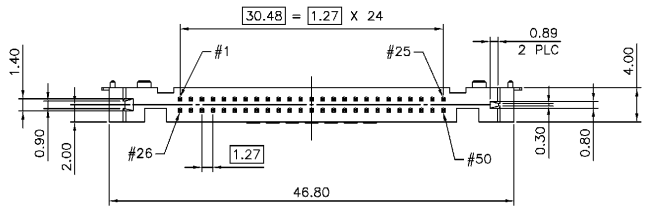


NUMBER C-1734471

METRIC

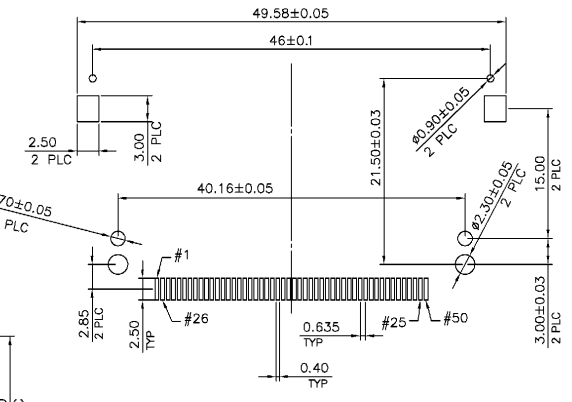
PRINT DIST DW

THIS INFORMATION IS CONFIDENTIAL AND IS DISCLOSED TO YOU ON CONDITION THAT NO FURTHER DISCLOSURE IS MADE BY YOU TO OTHER THAN AMP PERSONNEL WITHOUT THE WRITTEN PERMISSION OF AMP. DIMENSIONS IN MILLIMETERS. DO NOT SCALE PRINT.



POWER	5.00mm
GENERAL	4.25mm
DETECT	3.50mm
PIN TYPE	INTERFACE DIM. L

0	FIRST RELEASED	FZ00-0120-04	CH	11 JUN 2004
LTR	REVISION RECORD	ECN	DWN	CHK



- NOTE:
- MATERIAL: HOUSING: HIGH TEMP. THERMOPLASTIC UL 94V-0, COLOR: WHITE. CONTACTS: BRASS. MOUNT EAR: COPPER ALLOY.
 - FINISH: CONTACTS: 15µ" MIN. GOLD PLATED IN CONTACT AREA, 100µ" MIN. TIN PLATED ON SOLDER TAILS, 50µ" MIN. NICKEL UNDERPLATED ALL OVER. MOUNT EAR: TIN PLATED.
 - CONNECTOR REQUIRES USE OF 2 - SIZE M2 SCREWS FOR FASTENING TO PRINTED CIRCUIT BOARD.

W/	1-1734471-1
W/O	1734471-1
MYLAR	PART NUMBER

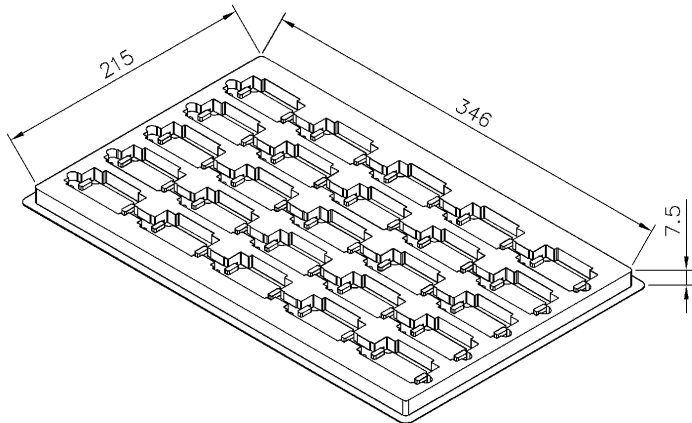
TOLERANCES UNLESS OTHERWISE SPECIFIED:	DWN	O. HU	tyco	TYCO HOLDINGS (BERMUDA)
0 PLC ±	09-JUN-2004	S. HOU	Electronics	VII LTD. TAIWAN BRANCH
1 PLC ±0.2		09-JUN-2004	NAME	
2 PLC ±0.12		09-JUN-2004	APVD	T. KE
3 PLC ±0.05			PRODUCT SPEC	108-57134
ANGLES ±2			APPLICATION SPEC	
MATERIAL	SEE NOTE		WEIGHT	
FINISH	SEE NOTE		LOG	SCALE
			SIZE	DRAWING NO
			DW	A ₃
			SCALE	C-1734471
			REV	0
			SHEET	1 OF 2

CUSTOMER DRAWING

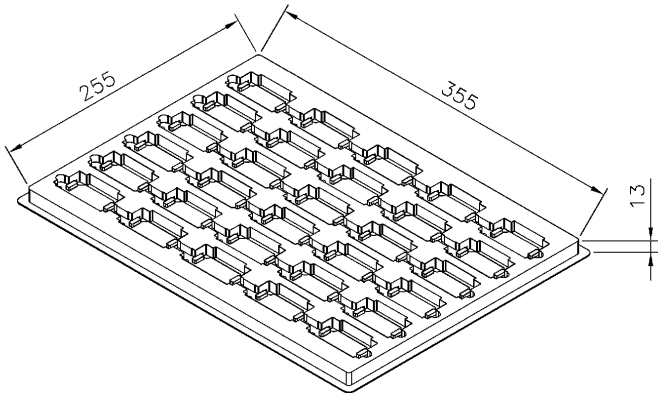
NUMBER
C-1734471



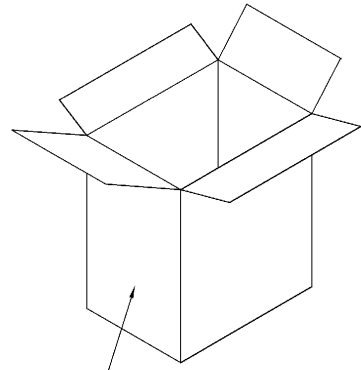
METRIC



FOR 1-1734471-1



FOR 1734471-1



CARTON

NOTE:
▲ TOP LAYER IS EMPTY.

356X241X279	▲ 41	25	1000	1-1734471-1
394X292X216	▲ 26	30	750	1734471-1
CARTON SIZE	LAYER	TRAY	QUANTITY	PART NUMBER

TOLERANCES UNLESS OTHERWISE SPECIFIED:	DWN	O. HU	tyco	TYCO HOLDINGS (BERMUDA)
0 PLC	09-JUN-2004	S. HOU	Electronics	VII LTD, TAIWAN BRANCH
1 PLC			NAME	
2 PLC				
3 PLC				
ANGLES				
MATERIAL	APVD	T. KE	PIN HEADER SLIM TYPE, 50	
TRAY: PS.	PRODUCT SPEC	09-JUN-2004	POS, BOTTOM BOARD, COMPACT	
FINISH	APPLICATION SPEC		LOC	SIZE
-	WEIGHT		DW	A ₃
			SCALE	DRAWING NO
			--	C-1734471
				REV
				0
				SHEET
				2 OF 2

THIS INFORMATION IS CONFIDENTIAL AND IS OBSOLETE TO YOU ON CONDITION THAT NO FURTHER DISCLOSURE IS MADE BY YOU TO OTHER THAN AMP PERSONNEL WITHOUT DIMENSIONS IN MILLIMETERS. DO NOT SCALE PRINT.

PRINT DIST
DW

SEE SHEET 1.				
LTR	REVISION RECORD	ECN	DR	DATE

8 | 7 | 6 | 5 | 4 | 3 | 2 | 1

CUSTOMER DRAWING