

THIS DRAWING IS UNPUBLISHED. RELEASED FOR PUBLICATION
 © COPYRIGHT BY TYCO ELECTRONICS CORPORATION. ALL RIGHTS RESERVED.

LOC	DIST	REVISIONS			
P	LTR	DESCRIPTION	DATE	DWN	APVD
B		REVISED (ECR-10-019730)	07OCT10	JL	WK

POWER	5.00mm
GENERAL	4.25mm
DETECT	3.50mm
PIN TYPE INTERFACE DIM. L	

- NOTE:
- MATERIAL:
 HOUSING: LCP WITH 30% GF, UL 94V-0, WHITE COLOR.
 CONTACTS: BRASS.
 MOUNT EAR: BRASS.
 GROUNDING: PHOSPHOR BRONZE.
 - FINISH:
 CONTACTS: 0.381µm [15µ"] GOLD PLATED ON CONTACT AREA,
 2.54µm [100µ"] MIN. MATTIE-TIN ON SOLDER TAIL, WITH
 ENTIRE CONTACT UNDERPLATED 1.27µm [50µ"] MIN. NICKEL.
 MOUNT EAR: 2.54µm [100µ"] MIN. TIN PLATED ON SOLDER AREA
 1.27µm [50µ"] MIN. NIKEL UNDERPLATED ALL OVER.
 GROUNDING: 2.03µm [80µ"] MIN. NIKEL UNDERPLATED ALL OVER.
 - REFLOW SOLDER CAPABLE TO 260°C PER TYCO TEST SPEC.
 109-201, CONDITION B.

1734449-1
 PART NUMBER

THIS DRAWING IS A CONTROLLED DOCUMENT.		DWN O. HU	03MAY2007	tyco Electronics	Tyco Electronics Corporation Taipei, Taiwan	
DIMENSIONS: MM		CHK S. HOU	03MAY2007		NAME	
TOLERANCES UNLESS OTHERWISE SPECIFIED:		APVD W.J. KE	03MAY2007	PRODUCT SPEC		
0 PLC ± 0.5		QUALIFICATION TEST REPORT		PIN HEADER TYPE 2, 50 POS, SMT, BOTTOM BOARD, COMPACT FLASH CARD		
1 PLC ± 0.3		501-57118		SIZE	CAGE CODE	DRAWING NO
2 PLC ± 0.2		WEIGHT		A3	00779	C=1734449
3 PLC ± 0.1		CUSTOMER DRAWING		SCALE		SHEET 1 of 2
4 PLC ± 0.1		MATERIAL		REV		B
ANGLES ± ±		SEE NOTE				

AMP 1470-19 REV 31MAR2000

4

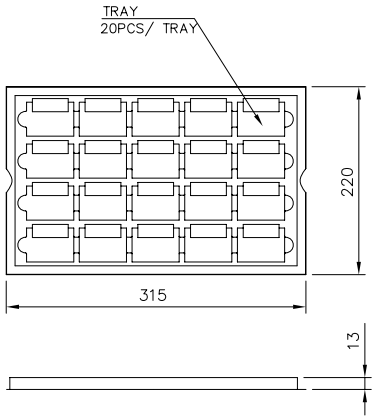
3

2

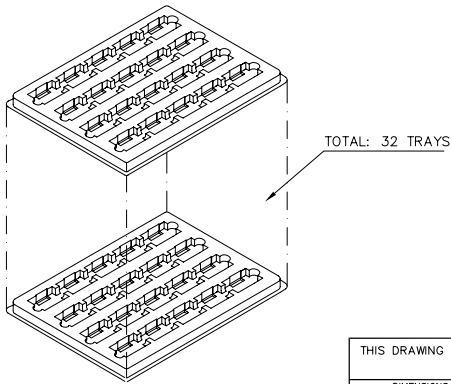
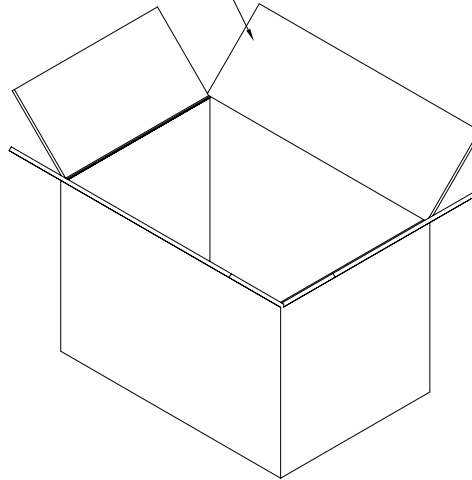
1

THIS DRAWING IS UNPUBLISHED. RELEASED FOR PUBLICATION
 © COPYRIGHT BY TYCO ELECTRONICS CORPORATION. ALL RIGHTS RESERVED.

LOC	DIST	REVISIONS			
P	LTR	DESCRIPTION	DATE	DWN	APVD
DW	-	SEE SHEET 1.			



CARTON SIZE
457(L)X330(W)X292(H)



NOTE:
1. TOP LAYER IS EMPTY.

G.W	N.W	QUANTITY
8.4 Kg	7.6 Kg	1000

THIS DRAWING IS A CONTROLLED DOCUMENT.		DWN Q. HU	03MAY2007	tyco Electronics	Tyco Electronics Corporation Taipei, Taiwan	
DIMENSIONS: MM		CHK S. HOU	03MAY2007		NAME	PIN HEADER TYPE 2, 50 POS, SMT, BOTTOM BOARD, COMPACT FLASH CARD
TOLERANCES UNLESS OTHERWISE SPECIFIED:		APVD W.J. KE	03MAY2007	PRODUCT SPEC	SIZE	CAGE CODE
<ul style="list-style-type: none"> 0 PLC ± - 1 PLC ± - 2 PLC ± - 3 PLC ± - 4 PLC ± - ANGLES ± - 		APPLICATION SPEC	---	---	DRAWING NO	RESTRICTED TO
MATERIAL		FINISH	---	WEIGHT	A300779	C=1734449
CUSTOMER DRAWING				SCALE	SHEET	REV
					2 of 2	B