

4

3

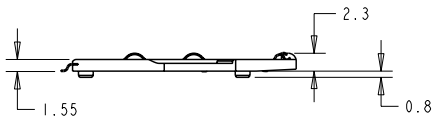
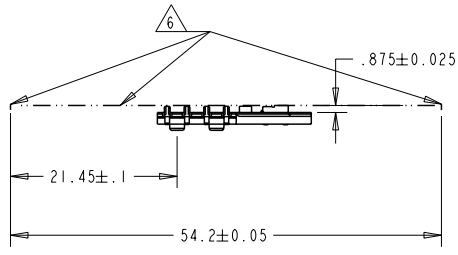
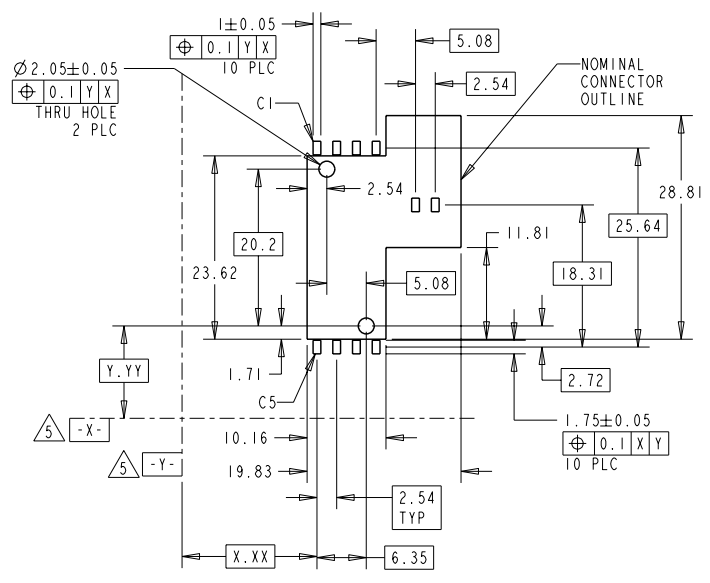
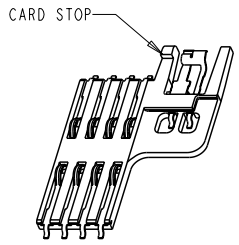
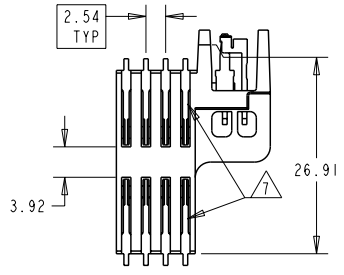
2

1

THIS DRAWING IS UNPUBLISHED. RELEASED FOR PUBLICATION 20
 © COPYRIGHT 2005 BY TYCO ELECTRONICS CORPORATION. ALL RIGHTS RESERVED.

LOC	DIST	REVISIONS			
P	LTR	DESCRIPTION	DATE	DWN	APVD
GP	00				
0		RELEASED PER EC OS13-0027-05	27NOV05	GP	JG
01		REVISED PER ECO-11-004756	08MAR2011	CJV	DLG

- 1 MATERIAL: HOUSING: THERMOPLASTIC, COLOR: BLACK; CONTACTS: COPPOR ALLOY.
- 2 FINISH: CONTACTS: GOLD PLATE ON MATING SURFACE, TIN ON SOLDER TAIL, ALL OVER NICKEL UNDERPLATE.
- 3. MATING INTERFACE ACCEPTS IC CARD IN ACCORDANCE WITH ISO 7810-7816.
- 4. CARD GUIDE PROVIDED BY EQUIPMENT, NOT THE CONNECTOR.
- 5 DATUMS AND DIMENSIONS ESTABLISHED BY CUSTOMER
- 6 CUSTOMER CARD GUIDE SURFACES
- 7 TWO CONTACTS OMITTED FOR -2 (6 POSITION VERSION).



6	7	5145323-2
8		5145323-1
POSITIONS		PART NUMBER

<small>THIS DRAWING IS A CONTROLLED DOCUMENT FOR TYCO ELECTRONICS CORPORATION AND IS SUBJECT TO CHANGE. THE CONTROLLING ENGINEERING ORGANIZATION SHOULD BE CONTACTED FOR THE LATEST REVISION.</small>		DWN G. PETERS 27NOV05 CHK D. GORENC 27NOV05 APVD M. WALMSLEY 27NOV05	Tyco Electronics Tyco Electronics Harrisburg, PA 17105-3608
DIMENSIONS: mm 	TOLERANCES UNLESS OTHERWISE SPECIFIED: 0 PLC ± 1 PLC ±0.25 2 PLC ±0.13 3 PLC ± 4 PLC ± ANGLES ±	NAME PRODUCT SPEC 108-1742 APPLICATION SPEC	6 AND 8 POSITION SMT CONTACT MODULE W/ SWITCH
MATERIAL 	FINISH 	SIZE A3 CAGE CODE 00779 DRAWING NO. 5145323 RESTRICTED TO	CUSTOMER DRAWING SCALE 2:1 SHEET 1 OF 2 REV 01

4

3

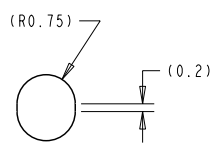
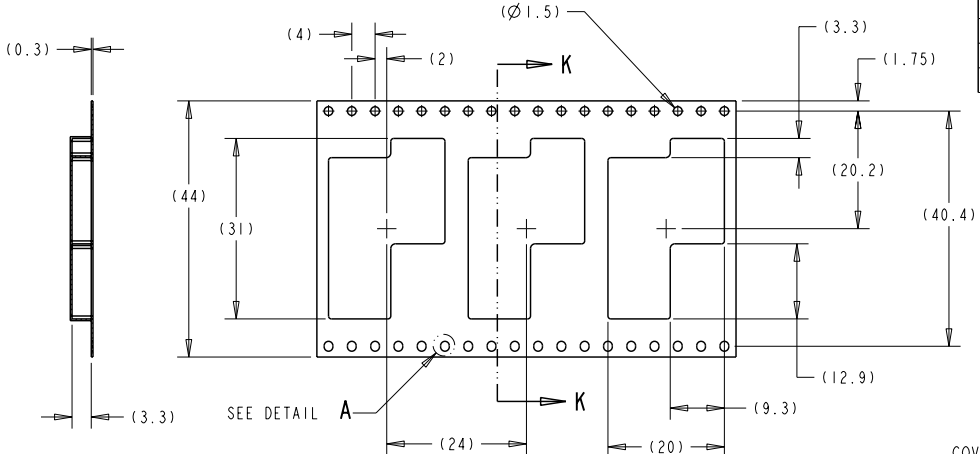
2

1

THIS DRAWING IS UNPUBLISHED. RELEASED FOR PUBLICATION
 © COPYRIGHT 2005 BY TYCO ELECTRONICS CORPORATION. ALL RIGHTS RESERVED.

LOC DIST
 GP 00

REVISIONS					
P	LTR	DESCRIPTION	DATE	DWN	APVD
-	-	SEE SHEET 1	-	-	-

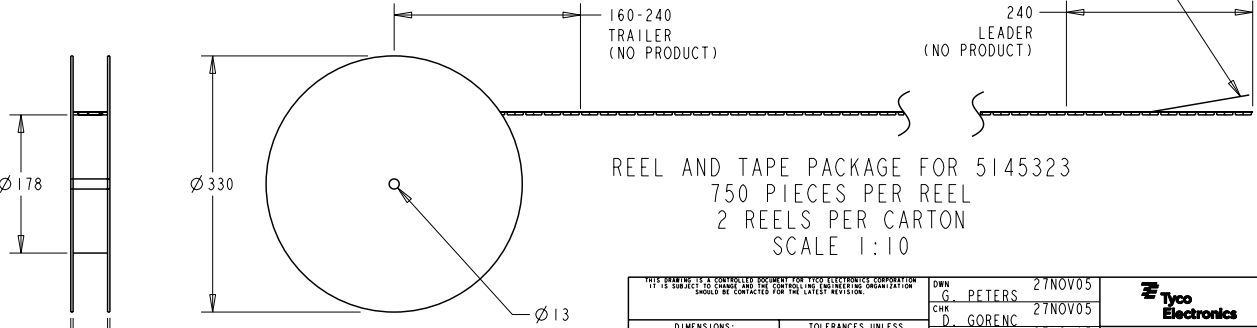


DETAIL A
 SCALE 10:1

SECTION K-K

PACKAGING TAPE
 SCALE 3:2

COVER TAPE OVER
 OUTSIDE WRAP OF
 LEADER. 1 FULL
 WRAP MINIMUM



REEL AND TAPE PACKAGE FOR 5145323
 750 PIECES PER REEL
 2 REELS PER CARTON
 SCALE 1:10

<small>THIS DRAWING IS A CONTROLLED DOCUMENT FOR TYCO ELECTRONICS CORPORATION IT IS SUBJECT TO CHANGE AND THE CONTROLLING ENGINEERING ORGANIZATION SHOULD BE CONTACTED FOR THE LATEST REVISION.</small>		DWN 27NOV05 G. PETERS CHK 27NOV05 D. GORENC APVD 27NOV05 M. WALMSLEY	Tyco Electronics Harrisburg, PA 17105-3608
DIMENSIONS: mm	TOLERANCES UNLESS OTHERWISE SPECIFIED: 0 PLC ± 1 PLC ±0.25 2 PLC ±0.13 3 PLC ± 4 PLC ± ANGLES ±	NAME 6 AND 8 POSITION SMT CONTACT MODULE W/ SWITCH	RESTRICTED TO
	MATERIAL - FINISH -	PRODUCT SPEC 108-1742	SIZE CAGE CODE DRAWING NO A3 00779 C-5145323
CUSTOMER DRAWING		SCALE 2:1	SHEET 2 OF 2 REV 01