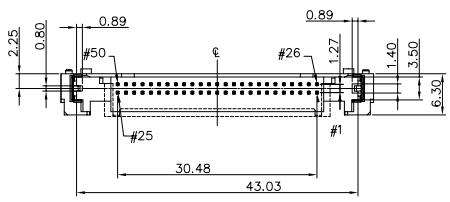
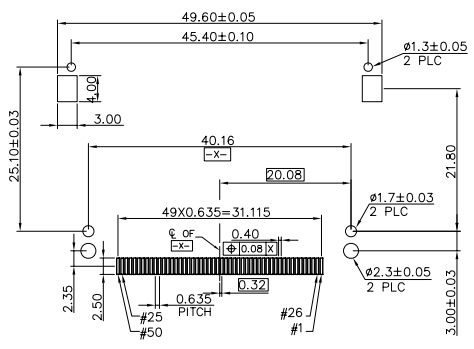


THIS DRAWING IS UNPUBLISHED. RELEASED FOR PUBLICATION
 © COPYRIGHT BY TYCO ELECTRONICS CORPORATION. ALL RIGHTS RESERVED.

LOC	DIST	REVISIONS			
P	LTR	DESCRIPTION	DATE	DWN	APVD
DW	-	REVISED (ECR-10-015614)	27JUL10	JL	WK



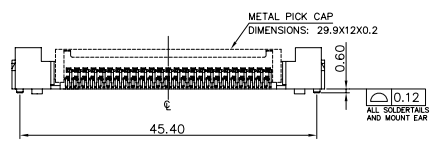
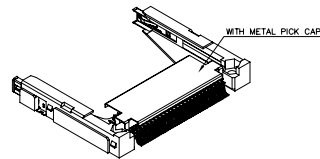
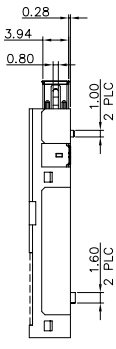
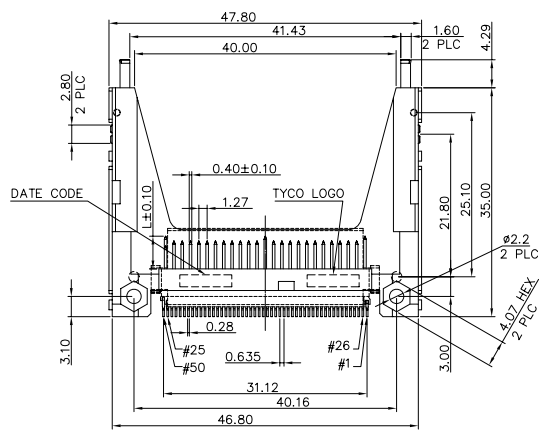
POWER	5.00mm
GENERAL	4.25mm
DETECT	3.50mm
PIN TYPE	INTERFACE DIM. L



RECOMMENDED P.C.B. LAYOUT
 TOLERANCE: ±0.05

NOTE:

- MATERIAL:
 HOUSING: LCP WITH 30% GF, UL 94V-0, WHITE COLOR.
 CONTACTS: BRASS.
 MOUNT EAR: BRASS.
 GROUNDING: PHOSPHOR BRONZE.
 PICKCAP: STEEL.
 MYLAR: CLEAR POLYESTER FILM.
- FINISH:
 CONTACTS: GOLD PLATED(SEE TABLE) ON CONTACT AREA,
 2.54µm [100µ"] MIN. MATTE-TIN ON SOLDER TAIL, WITH
 1.27µm [50µ"] MIN. NICKEL ENTIRE CONTACT UNDERPLATED.
 MOUNT EAR: 2.54µm [100µ"] MIN. TIN PLATED ON SOLDER AREA
 1.27µm [50µ"] MIN. NICKEL UNDERPLATED ALL OVER.
 GROUNDING: 2.03µm [80µ"] MIN. NICKEL UNDERPLATED ALL OVER.
- REFLOW SOLDER CAPABLE TO 260°C PER TE TEST SPEC.
 109-201, CONDITION B.

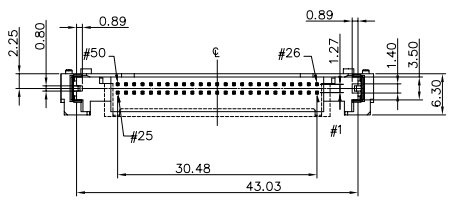


W/	0.762µm [30u"]	TAPE & REEL	1-1734448-3
		TRAY	1734448-2
W/O	0.381µm [15u"]	TAPE & REEL	1-1734448-1
		TRAY	1734448-1
PICK CAP FINISH(GOLD)	PACKAGING	PART NUMBER	

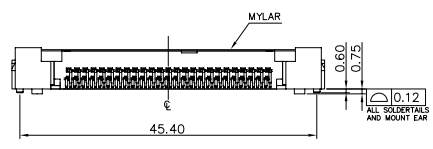
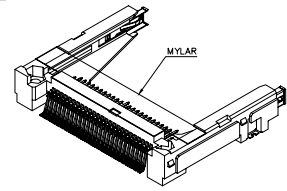
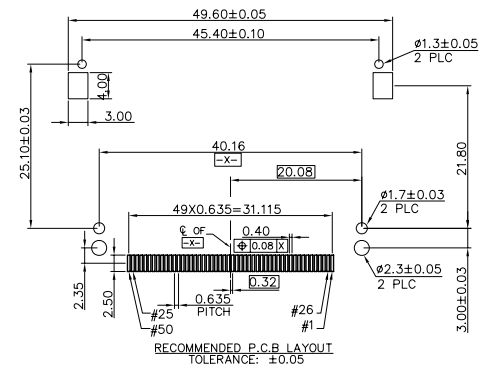
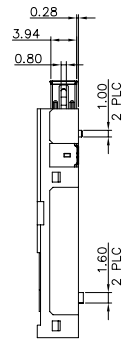
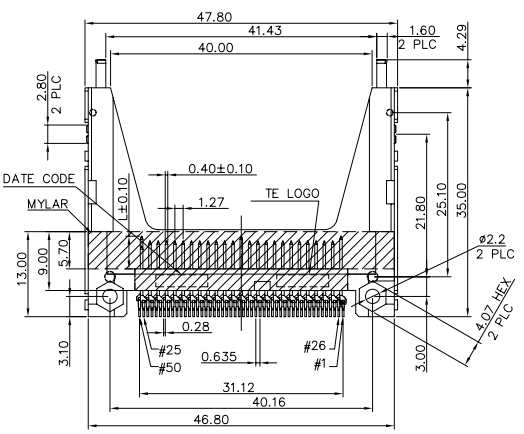
THIS DRAWING IS A CONTROLLED DOCUMENT.		DWN S. CHIEN	30DEC2008	Tyco Electronics Corporation Taipi, Taiwan	
DIMENSIONS: MM		CHK S. CHIEN	30DEC2008	NAME	
TOLERANCES UNLESS OTHERWISE SPECIFIED: 0 PLC ± 0.5 1 PLC ± 0.3 2 PLC ± 0.2 3 PLC ± - 4 PLC ± - ANGLES ± -		APVD W. KODAMA	30DEC2008	PRODUCT SPEC 108-57134	
MATERIAL SEE NOTE		QUALIFICATION TEST REPORT 501-57118		SIZE A3	CAGE CODE DRAWING NO 00779 1734448
FINISH SEE NOTE		WEIGHT 4.145 GRAMS		RESTRICTED TO	
CUSTOMER DRAWING			SCALE	SHEET 1 of 4	REV D

THIS DRAWING IS UNPUBLISHED. RELEASED FOR PUBLICATION
 © COPYRIGHT BY TYCO ELECTRONICS CORPORATION. ALL RIGHTS RESERVED.

LOC	DIST	REVISIONS			
P	LTR	DESCRIPTION	DATE	DWN	APVD
		SEE SHEET 1.			



POWER	5.00mm
GENERAL	4.25mm
DETECT	3.50mm
PIN TYPE	INTERFACE DIM. L



W/	0.381um [15u"]	TAPE & REEL	1-1734448-2
MYLAR	FINISH(GOLD)	PACKAGING	PART NUMBER

THIS DRAWING IS A CONTROLLED DOCUMENT.		DWN	Tyco Electronics Corporation Taipei, Taiwan	
DIMENSIONS: MM		CHK	NAME	
TOLERANCES UNLESS OTHERWISE SPECIFIED:		APVD	PIN HEADER TYPE 2, 50 POS, SMT, TOP BOARD, COMPACT FLASH CARD	
0 PLC	± 0.5	PRODUCT SPEC	SIZE	CAGE CODE
1 PLC	± 0.3	QUALIFICATION TEST REPORT	A3	00779
2 PLC	± 0.2	WEIGHT	C=1734448	
3 PLC	±	CUSTOMER DRAWING	SCALE	SHEET
4 PLC	±			2 of 4
ANGLES	±			REV
MATERIAL	FINISH			D
SEE SHEET 1.	SEE SHEET 1.			

4

3

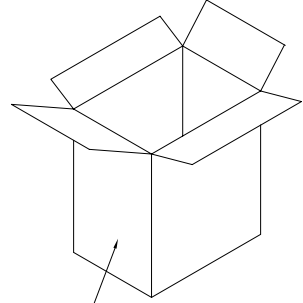
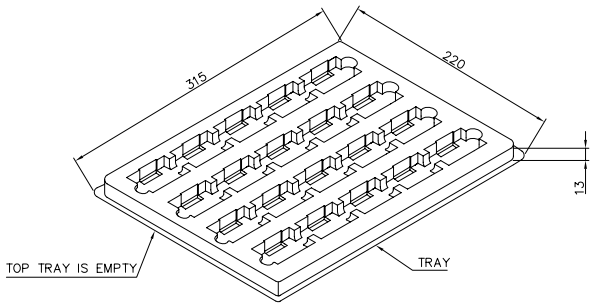
2

1

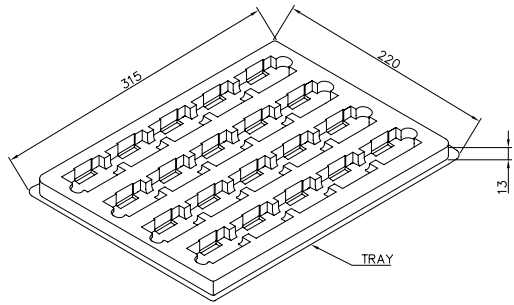
THIS DRAWING IS UNPUBLISHED. RELEASED FOR PUBLICATION
 © COPYRIGHT BY TYCO ELECTRONICS CORPORATION. ALL RIGHTS RESERVED.

LOC		DIST		REVISIONS				
P	LTR	DESCRIPTION			DATE	DWN	APVD	
DW				SEE SHEET 1.				

NOTE:
 1. MATERIAL:
 TRAY: PET
 CARTON: CORRUGATED FIBERBOARD DOUBLE WALL

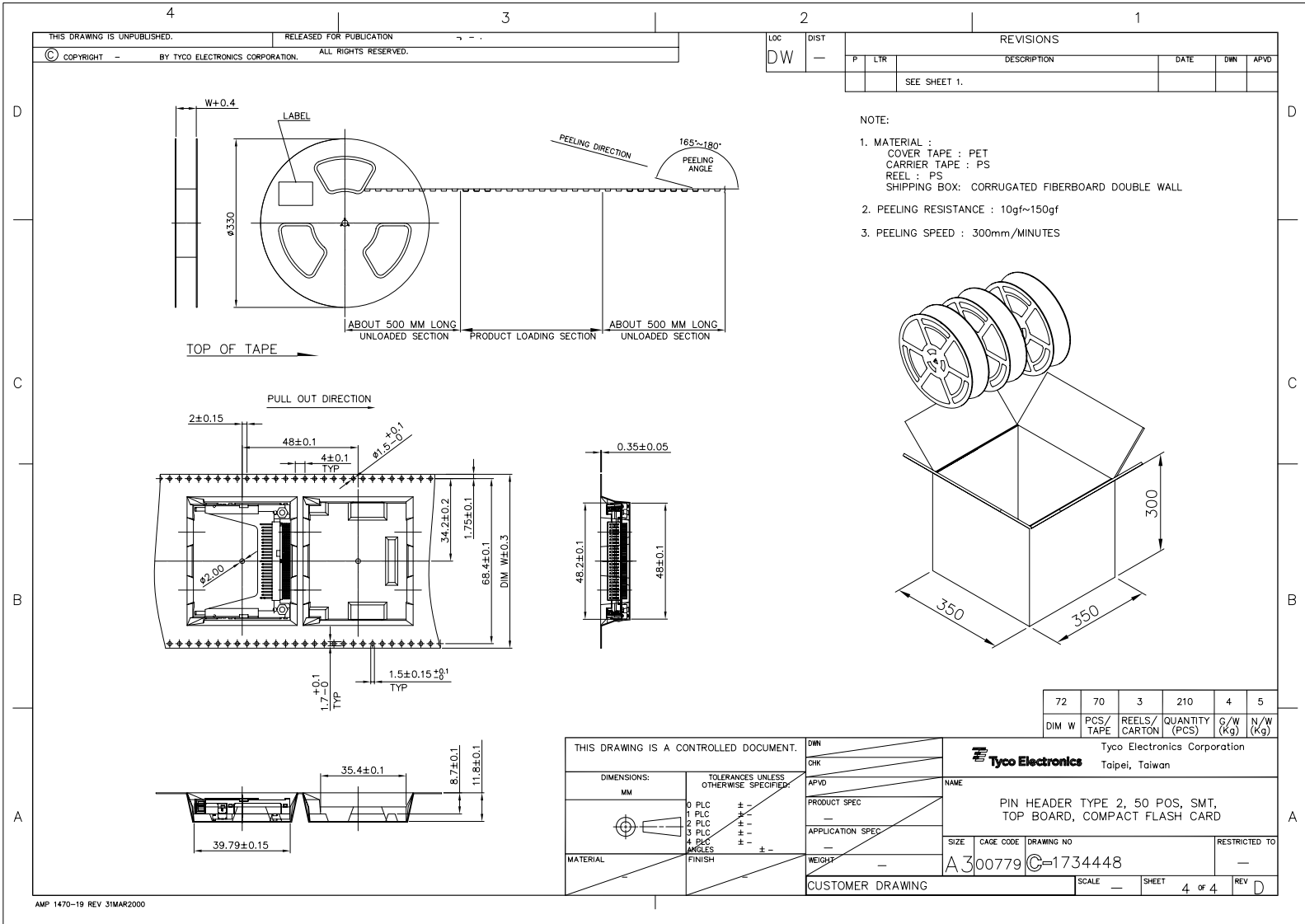


CARTON SIZE
 450(L) X 310(W) X 265(H)



8KG	7KG	51	20	1000
G/W	N/W	TRAY/ CARTON	PCS/ TRAY	QUANTITY

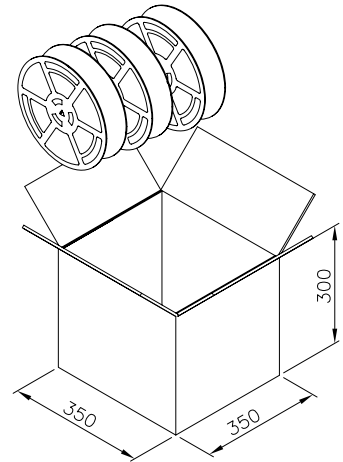
THIS DRAWING IS A CONTROLLED DOCUMENT.		DWN	Tyco Electronics		Tyco Electronics Corporation Taipei, Taiwan	
DIMENSIONS: MM		CHK	NAME		PIN HEADER TYPE 2, 50 POS, SMT, TOP BOARD, COMPACT FLASH CARD	
TOLERANCES UNLESS OTHERWISE SPECIFIED: 0 PLC ± - 1 PLC ± - 2 PLC ± - 3 PLC ± - 4 PLC ± - ANGLES ± -		APVD	SIZE		CAGE CODE DRAWING NO	
MATERIAL		FINISH	A3		00779 C=1734448	
		PRODUCT SPEC	RESTRICTED TO			
		APPLICATION SPEC	CUSTOMER DRAWING		SCALE - SHEET 3 of 4 REV D	
		WEIGHT				



THIS DRAWING IS UNPUBLISHED. RELEASED FOR PUBLICATION
 © COPYRIGHT BY TYCO ELECTRONICS CORPORATION. ALL RIGHTS RESERVED.

LOC	DIST	REVISIONS			
P	LTR	DESCRIPTION	DATE	DWN	APVD
DW		SEE SHEET 1.			

- NOTE:
- MATERIAL :
 COVER TAPE : PET
 CARRIER TAPE : PS
 REEL : PS
 SHIPPING BOX: CORRUGATED FIBERBOARD DOUBLE WALL
 - PEELING RESISTANCE : 10gf~150gf
 - PEELING SPEED : 300mm/MINUTES



DIM	W	PCS/TAPE	REELS/CARTON	QUANTITY (PCS)	G/W (Kg)	N/W (Kg)
72	70	3	210	4	5	

Tyco Electronics
 Tyco Electronics Corporation
 Taipei, Taiwan

THIS DRAWING IS A CONTROLLED DOCUMENT.		DWN	NAME	
DIMENSIONS: MM		CHK	PIN HEADER TYPE 2, 50 POS, SMT, TOP BOARD, COMPACT FLASH CARD	
TOLERANCES UNLESS OTHERWISE SPECIFIED:		APVD	SIZE CAGE CODE DRAWING NO	
0 PLC ± -		PRODUCT SPEC	A300779 C=1734448	
1 PLC ± -		APPLICATION SPEC	RESTRICTED TO	
2 PLC ± -		WEIGHT	SCALE SHEET 4 of 4 REV D	
3 PLC ± -		CUSTOMER DRAWING		
4 PLC ± -				
ANGLES ± -				
MATERIAL FINISH				