

4

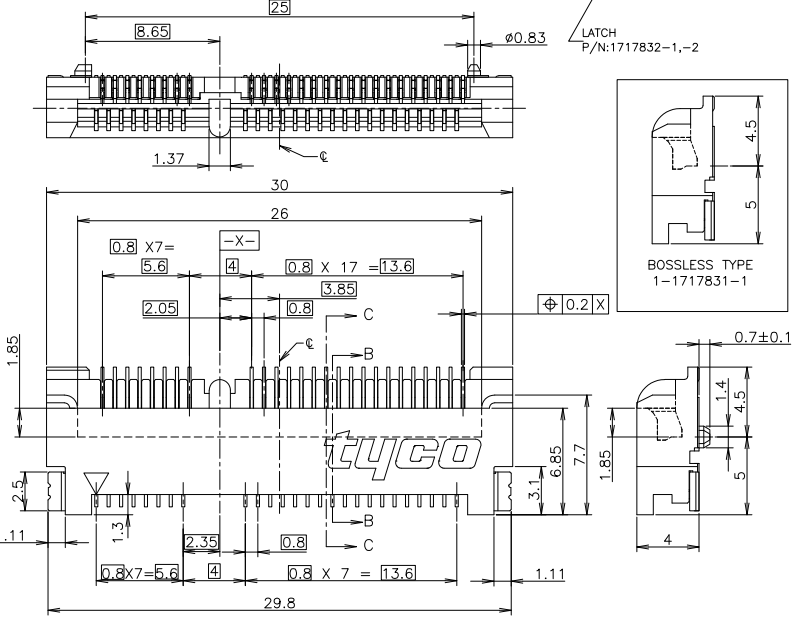
3

2

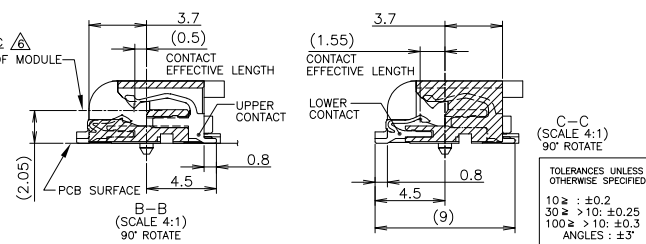
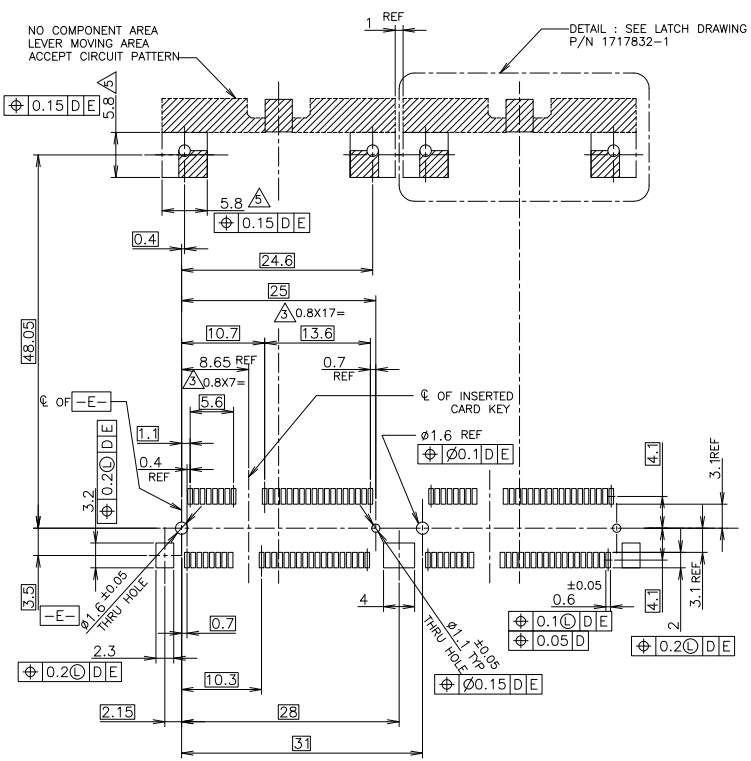
1

THIS DRAWING IS UNPUBLISHED. RELEASED FOR PUBLICATION OCT. 2003.
 ALL RIGHTS RESERVED.

NOTE
 1. MATERIAL : HOUSING : HIGH TEMPERATURE THERMO PLASTIC UL94V-0
 COLOR: BLACK
 CONTACT : COPPER ALLOY
 SOLDER PEG : COPPER ALLOY
 2. FINISH : CONTACT : GOLD FLASH ON CONTACT AREA, ALL OVER NICKEL.
 SOLDER PEG : TIN PLATE, ALL OVER NICKEL
 TOLERANCES NON-CUMMURATIVE
 4. [-D-] IS THE TOP SURFACE OF PCB.
 5. COMPONENT KEEP OUT AREA BASED ON MINI PCI EXPRESS SPECIFICATION
 1.0 CANDIDATE DRAFT (v1)
 6. THE FLOATING VALUE BY SOLDERING IS NOT INCLUDED.



LOC	DIST	REVISIONS			
P	LTR	DESCRIPTION	DATE	DWN	APVD
C1		REVISED PER ECO-11-005033	26MAR11	RK	HMR



THIS DRAWING IS A CONTROLLED DOCUMENT.		DWN J.TANIGAWA 100CT03	 TE Connectivity SEMI HARD TRAY & EMBOSS TAPE SUPPLY MINI PCI EXPRESS CONNECTOR ASSEMBLY	RESTRICTED TO	
DIMENSIONS: MM	TOLERANCES UNLESS OTHERWISE SPECIFIED:	CHK Y.YAMAMOTO 100CT03		NAME	
0 PLC ±-	1 PLC ±-	APVD Y.YAMAMOTO 100CT03		PRODUCT SPEC	
2 PLC ±-	3 PLC ±-	108-5899		APPLICATION SPEC	
MATERIAL SEE NOTE	FINISH SEE NOTE	WEIGHT 1.2g	SIZE A3	CAGE CODE 00779	
		CUSTOMER DRAWING	DRAWING NO C-1717831	SCALE 4:1	
			SHEET 1 of 4	REV C1	

4

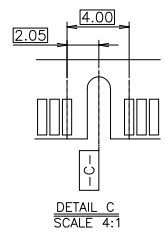
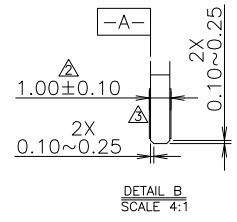
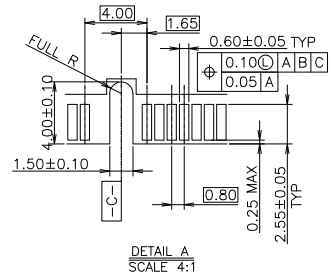
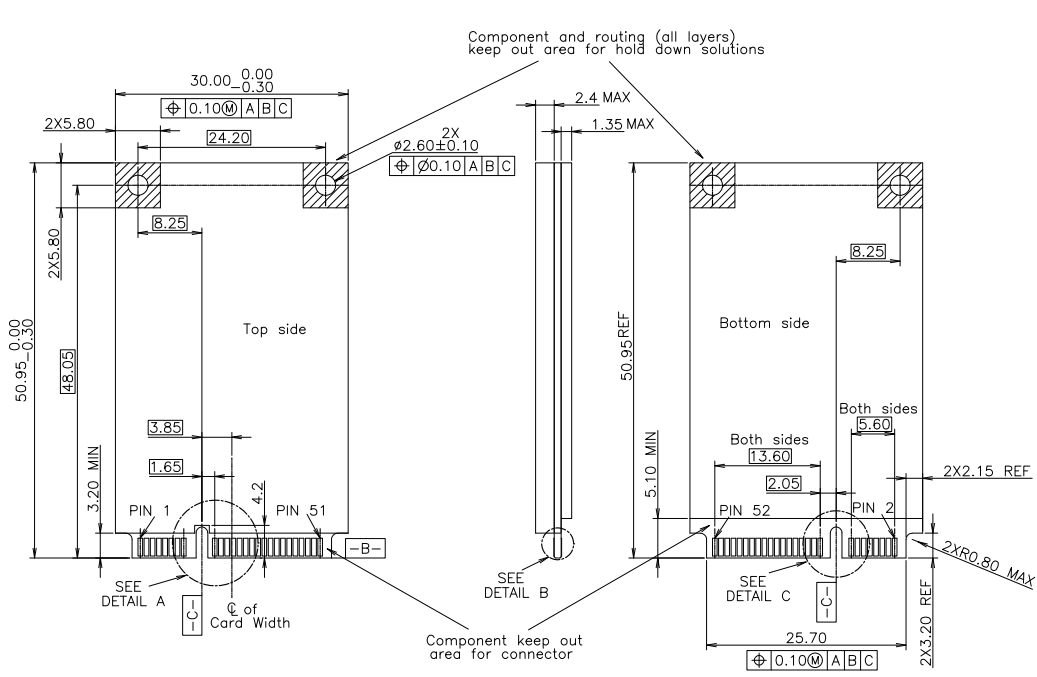
3

2

1

THIS DRAWING IS UNPUBLISHED. RELEASED FOR PUBLICATION OCT. 2003.
 ALL RIGHTS RESERVED.

LOC	DIST	REVISIONS				
P	LTR	DESCRIPTION	DATE	DWN	APVD	
-	-	SEE SHEET 1	-	-	-	



NOTES
 1. PCI EXPRESS MINI CARD, PCB THICKNESS 1.0MM.
 2. CARD THICKNESS APPLIES ACROSS TABS AND INCLUDES PLATING AND/OR METALIZATION.
 3. BEVEL MUST BE FREE OF CUTTING BURRS.

THIS DRAWING IS A CONTROLLED DOCUMENT.		DWN	TE Connectivity																																			
<table border="1"> <tr><td>DIMENSIONS:</td><td>MM</td><td>0 PLC</td><td>±</td><td>-</td></tr> <tr><td></td><td></td><td>1 PLC</td><td>±</td><td>-</td></tr> <tr><td></td><td></td><td>2 PLC</td><td>±</td><td>-</td></tr> <tr><td></td><td></td><td>3 PLC</td><td>±</td><td>-</td></tr> <tr><td></td><td></td><td>4 PLC</td><td>±</td><td>-</td></tr> <tr><td></td><td></td><td>4 PCC</td><td>±</td><td>-</td></tr> <tr><td></td><td></td><td>ANGLES</td><td>±</td><td>-</td></tr> </table>		DIMENSIONS:			MM	0 PLC	±	-			1 PLC	±	-			2 PLC	±	-			3 PLC	±	-			4 PLC	±	-			4 PCC	±	-			ANGLES	±	-
DIMENSIONS:	MM	0 PLC	±	-																																		
		1 PLC	±	-																																		
		2 PLC	±	-																																		
		3 PLC	±	-																																		
		4 PLC	±	-																																		
		4 PCC	±	-																																		
		ANGLES	±	-																																		
<table border="1"> <tr><td>MATERIAL</td><td>FINISH</td></tr> </table>		MATERIAL	FINISH	APVD	SEMI HARD TRAY & EMBOSS TAPE SUPPLY MINI PCI EXPRESS CONNECTOR ASSEMBLY																																	
MATERIAL	FINISH																																					
<table border="1"> <tr><td>SIZE</td><td>A3</td></tr> <tr><td>CAGE CODE</td><td>00779</td></tr> <tr><td>DRAWING NO</td><td>C-1717831</td></tr> </table>		SIZE	A3	CAGE CODE	00779	DRAWING NO	C-1717831	PRODUCT SPEC	RESTRICTED TO																													
SIZE	A3																																					
CAGE CODE	00779																																					
DRAWING NO	C-1717831																																					
<table border="1"> <tr><td>WEIGHT</td><td></td></tr> </table>		WEIGHT		APPLICATION SPEC																																		
WEIGHT																																						
CUSTOMER DRAWING		SCALE	2:1																																			
		SHEET	2 of 4																																			
		REV	C1																																			

4

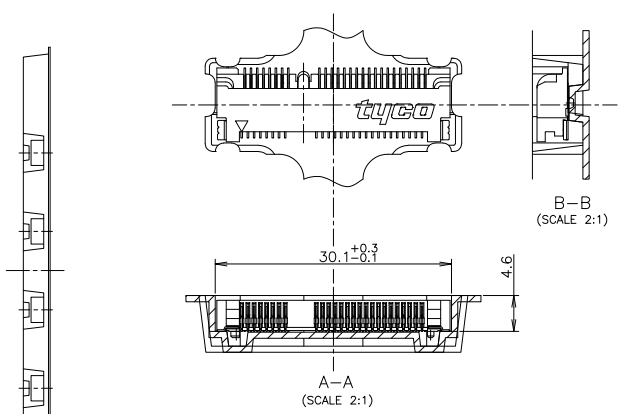
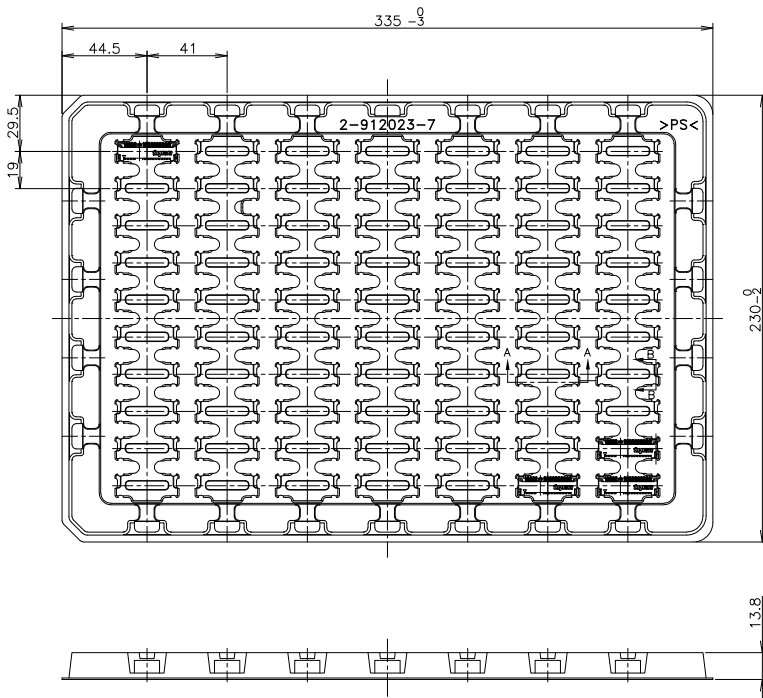
3

2

1

THIS DRAWING IS UNPUBLISHED. RELEASED FOR PUBLICATION OCT. 2003.
 © COPYRIGHT 2003 By - ALL RIGHTS RESERVED.

LOC	DIST	REVISIONS				
P	LTR	DESCRIPTION	DATE	DWN	APVD	
-	-	SEE SHEET 1	-	-	-	



NOTE
 1. THE DIRECTION OF EACH CONNECTOR ON A TRAY IS REFERRED TO THIS DWG.

BOSSLESS	70EA/TRAY	2-912023-7	1-1717831-1
//	70EA/TRAY	2-912023-7	1717831-1
REMARK	QTY	TRAY P/N	P/N

THIS DRAWING IS A CONTROLLED DOCUMENT.

DIMENSIONS: MM	TOLERANCES UNLESS OTHERWISE SPECIFIED:	DWN	TE Connectivity		
0 PLC ± -	1 PLC ± -	CHK	NAME	SEMI HARD TRAY & EMOSS TAPE SUPPLY	
2 PLC ± -	3 PLC ± -	APVD	PRODUCT SPEC	MINI PCI EXPRESS CONNECTOR ASSEMBLY	
4 PLC ± -	ANGLES ± -	WEIGHT	108-5899	SIZE	A3
MATERIAL	FINISH	CUSTOMER DRAWING	APPLICATION SPEC	CAGE CODE	00779
TOLERANCES UNLESS OTHERWISE SPECIFIED ±0.5			DRAWING NO	DRAWING NO	1717831
			RESTRICTED TO	SCALE	NTS
			SHEET	3	OF 4
			REV	C1	

4

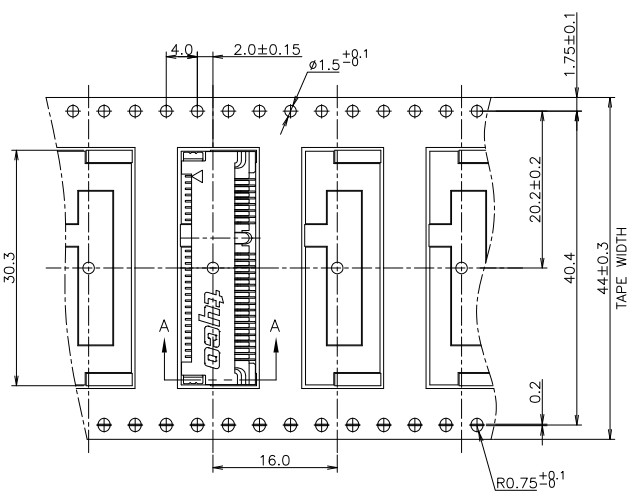
3

2

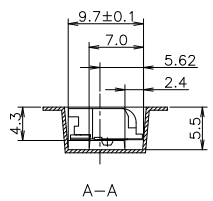
1

THIS DRAWING IS UNPUBLISHED. RELEASED FOR PUBLICATION OCT. 2003.
 © COPYRIGHT 2003 By - ALL RIGHTS RESERVED.

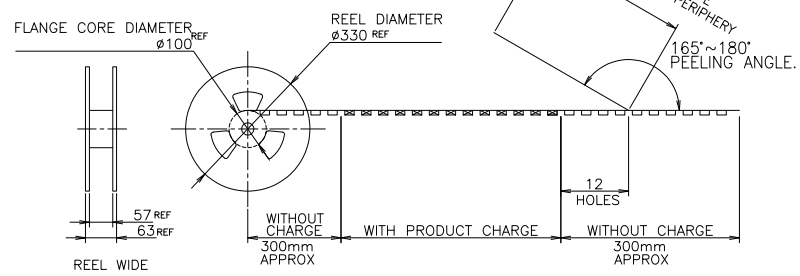
LOC	DIST	REVISIONS				
P	LTR	DESCRIPTION	DATE	DWN	APVD	
-	-	SEE SHEET 1	-	-	-	



1 PEELING RESISTANCE : 0.1N~1.3N
 (10gf~130gf)
 SPEED : 300mm/min



TOP OF REEL →



//	500EA	5-912103-9	1717831-2
REMARK	QTY/REEL	EMBOSS TAPE P/N	P/N

THIS DRAWING IS A CONTROLLED DOCUMENT.		DWN	TE TE Connectivity	
DIMENSIONS: MM		CHK		
TOLERANCES UNLESS OTHERWISE SPECIFIED:		APVD	NAME	
0 PLC ± -		PRODUCT SPEC		
1 PLC ± -		108-5899		
2 PLC ± -		APPLICATION SPEC		
3 PLC ± -		SIZE		
4 PLC ± -		CAGE CODE		
ANGLES ± -		DRAWING NO		
FINISH		RESTRICTED TO		
MATERIAL		WEIGHT		
		A3 00779 C-1717831		
		CUSTOMER DRAWING		
		SCALE 2:1		SHEET 4 of 4
				REV C1