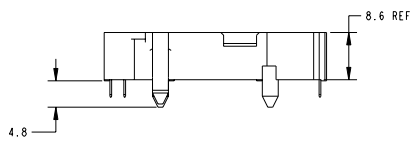
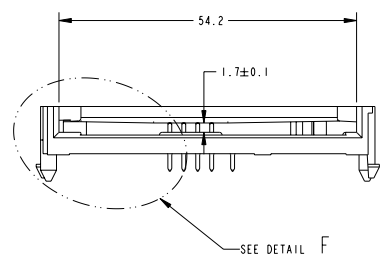
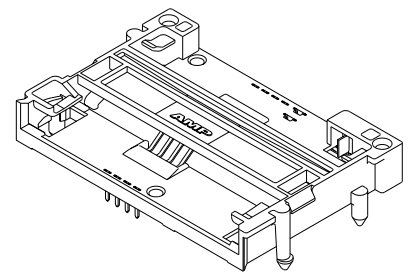
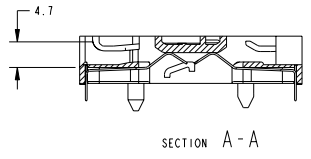


THIS DRAWING IS UNPUBLISHED. RELEASED FOR PUBLICATION
 BY TYCO ELECTRONICS CORPORATION. ALL INTERNATIONAL RIGHTS RESERVED.

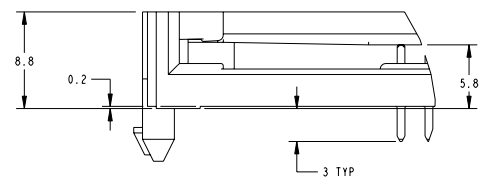
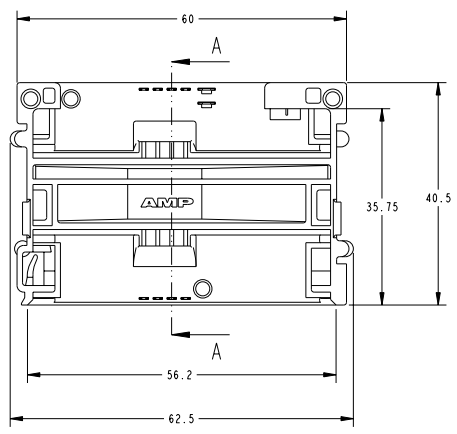
REVISONS		DATE	BY	APPROV
P	LYA			
A	EH10-0478-04	03DEC2004	RC	PJ
B	ECR-09-024818	12NOV2009	GG	PCH



NOTES:

- SMART CARD READER: PBT GF. UL94-V0
 SIGNAL AND SWITCH CONTACTS: PHOSPHOR BRONZE
- ALL CONTACTS: 0.00076 GOLD ON MATING AREAS,
 0.0025 TIN (LEADFREE/MATTE) ON SOLDERTAILS,
 ALL OVER 0.001 NICKEL.
- (OR)
- SMART CARD READER CONTACTS: PLATING: 0.08 micron GOLD ON MATING AREAS
 OVER PdNi PLATED 0.3 micron NICKEL UNDERPLATING 2 micron.
 ON SOLDERTAILS AREA 2.5 micron TIN (LEADFREE/MATTE)
- 3. TE SMART CARD CONNECTOR DESIGNED TO
 ACCEPT ISO 7810-7816 INTEGRATED CIRCUIT SMART CARD
 FROM 0.68 TO 1.60 mm THICKNESS

P/N : 5953501



DIMENSIONS: mm		TO BE CHECKED BY: OPERATOR		DWG NO: 02-Dec-04 DESIGNED BY: Coolen CHECKED BY: Jansen APPROVED BY: Jansen		TYCO ELECTRONICS NEDERLAND B.V. 't HERTOGENBOSCH, THE NETHERLANDS	
MATERIAL: T1518		APPLICATION SPEC:		WEIGHT:		SIZE: A2 CAGE CODE:	
CUSTOMER DRAWING		RESTRICTED TO:		DRAWING NO: 5953501		SCALE: 2:1 SHEET 1 OF 2 REV B	

