

NEW

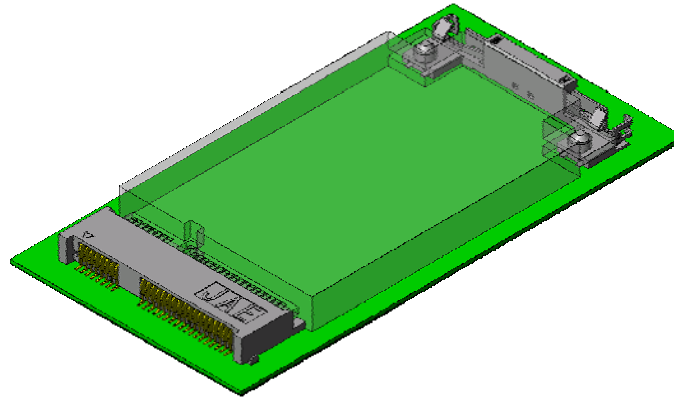

Compatible with PCI Express Mini Card

MM60 Series

CONNECTOR

MB-0147-3

February 2008

RoHS Compliant

The MM60 series is a module socket compatible with specifications standardized by the PCI-SIG.

Features

- Compatible with the PCI Express Mini Card Electromechanical spec and can be used for connecting with modules with PCI Express and USB transmission.
- Retention latch part available to fix module to connector.
Latch has mechanisms on both sides for module ejection.
- Two types of module mounting heights are developed.
Stand-off product allows components of under 1.8mm height to be placed below the module.
- Connector and latch are compatible with automatic mounting.
Packing form is embossed tape.

General Specifications

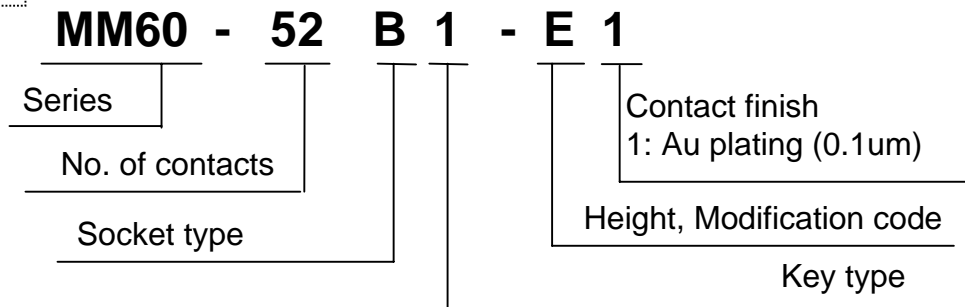
- No. of contacts: 52 pos.
- Contact resistance: 55m ohm max. (initial)
- Dielectric withstanding voltage: AC 300Vr.m.s (per minute)
- Operating temperature: -40 to +80 Deg. C
- Rated Current: 0.5A per pin
- Life time: 50 times
- Insertion loss: -1dB min.(1.25Ghz max.)/-5dB min.(3.75Ghz max.)
- Return loss: -12dBmax.(1.3GHz max.)/-7dB max.(2Ghz max.)/-4dB(3.75GHz max.)
- Cross talk(near end): -32dB max.(1.25Ghz max.)/-26dBmax.(3.75Ghz max.)

Materials and Finishes

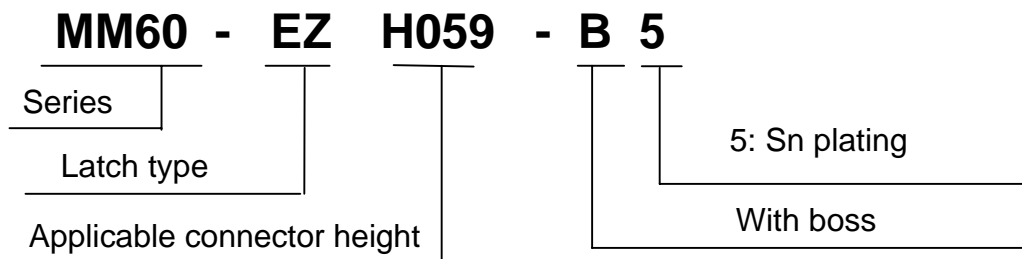
Components	Materials/ Finishes
Connector	
Contact	Copper alloy/ contact area: Au plating over Ni terminal area: Au flash over Ni
Insulator	Heat resistant material (UL94V-0)
Hold down	Copper alloy/ Sn plating
Latch	
Contact	Stainless steel/ Sn plating
Insulator	Heat resistant material (UL94V-0)

Ordering Information

Connector



Latch

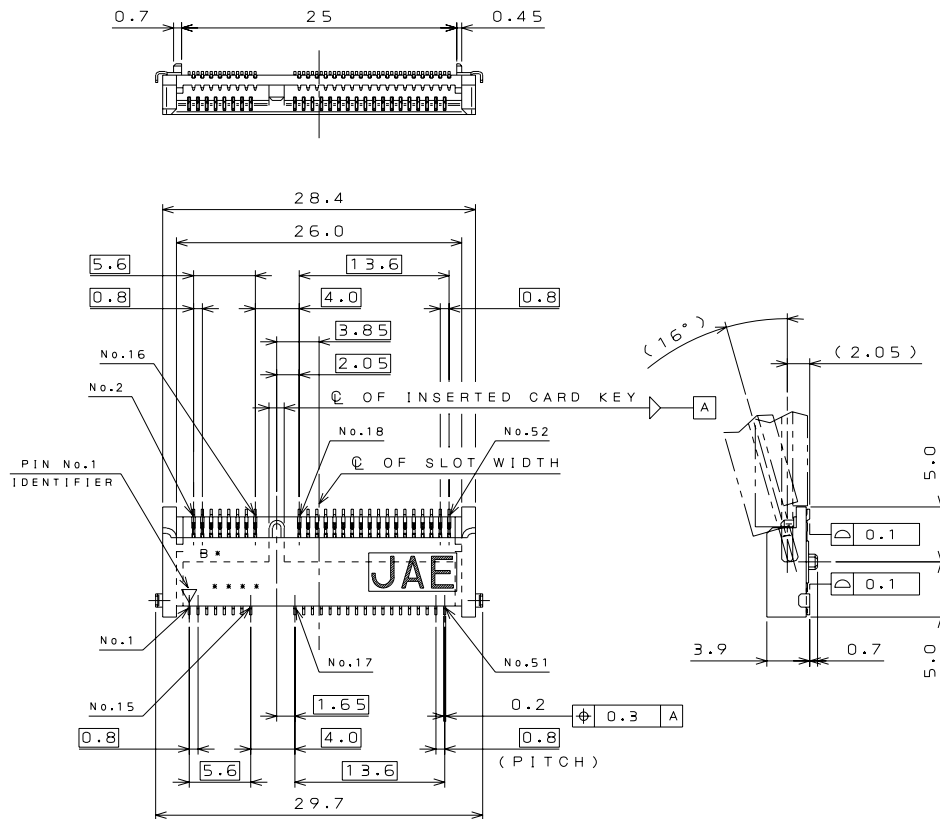


Combination

	Connector	Latch
Height 1	MM60-52B1-B1	MM60-EZH039-B5
Height 2	MM60-52B1-E1	MM60-EZH059-B5

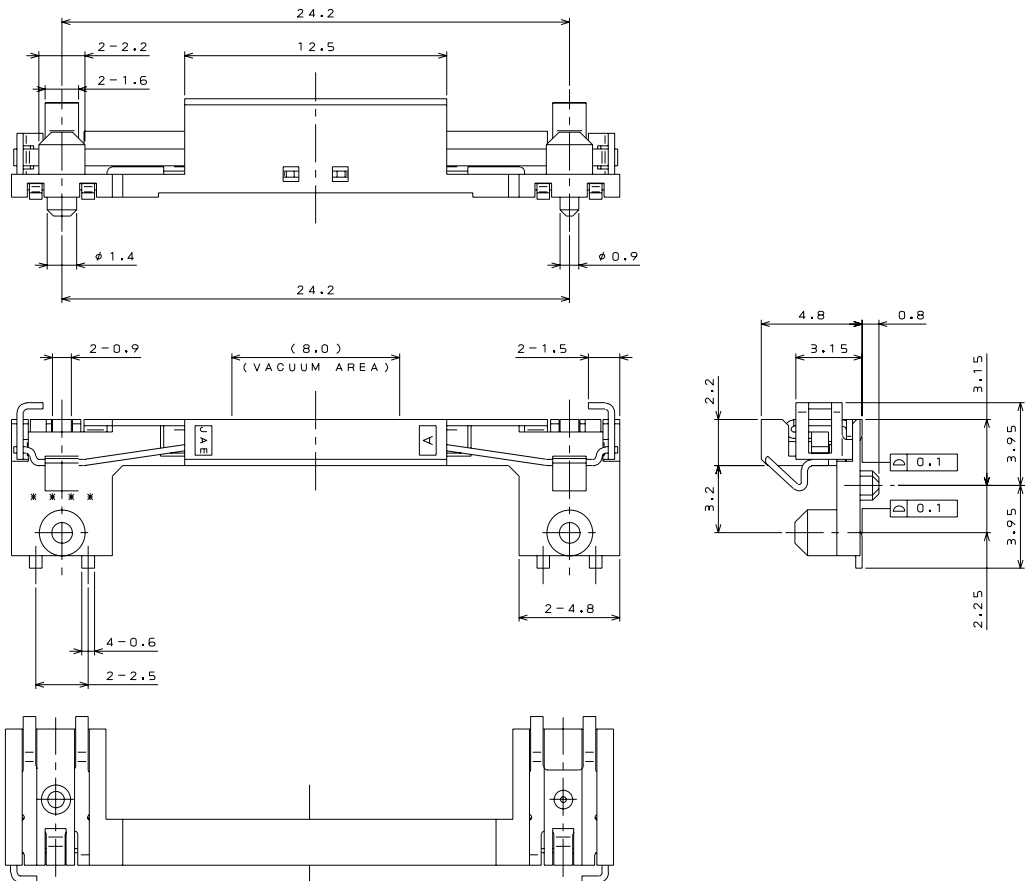
Connector side: MM60-52B1-B1 (SJ105215)

Embossed Tape Product: MM60-52B1-B1-R850 (SJ105216)



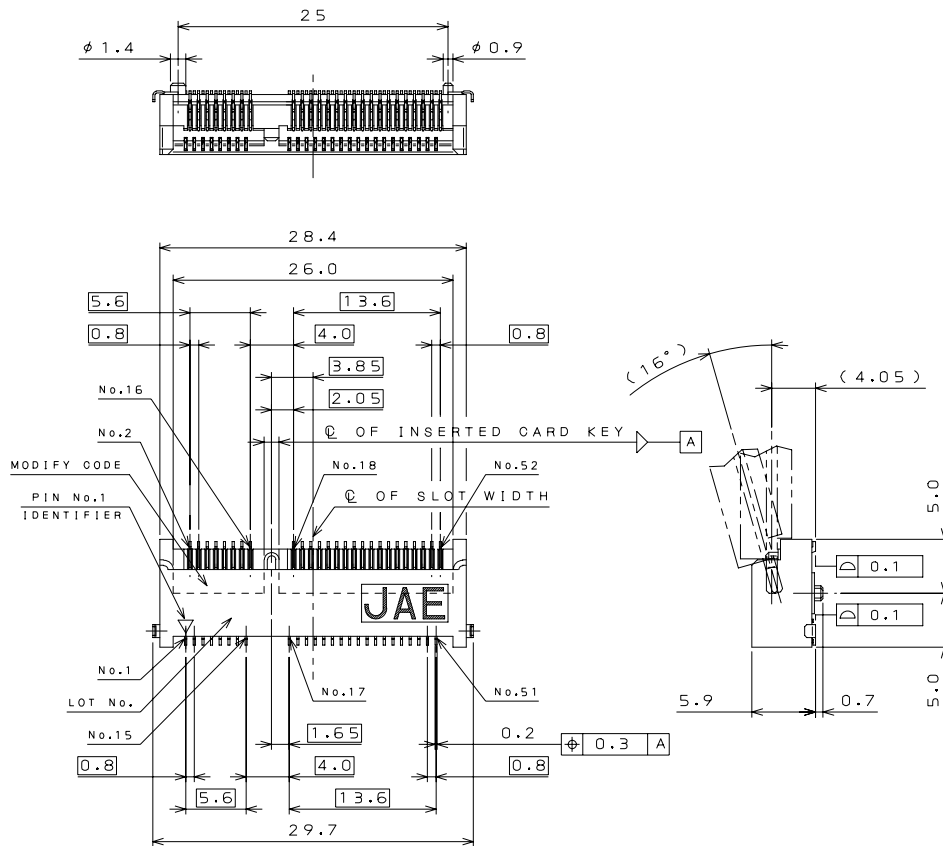
Latch side: MM60-EZH039-B5 (SJ105217)

Embossed Tape Product: MM60-EZH039-B5-R850 (SJ105218)



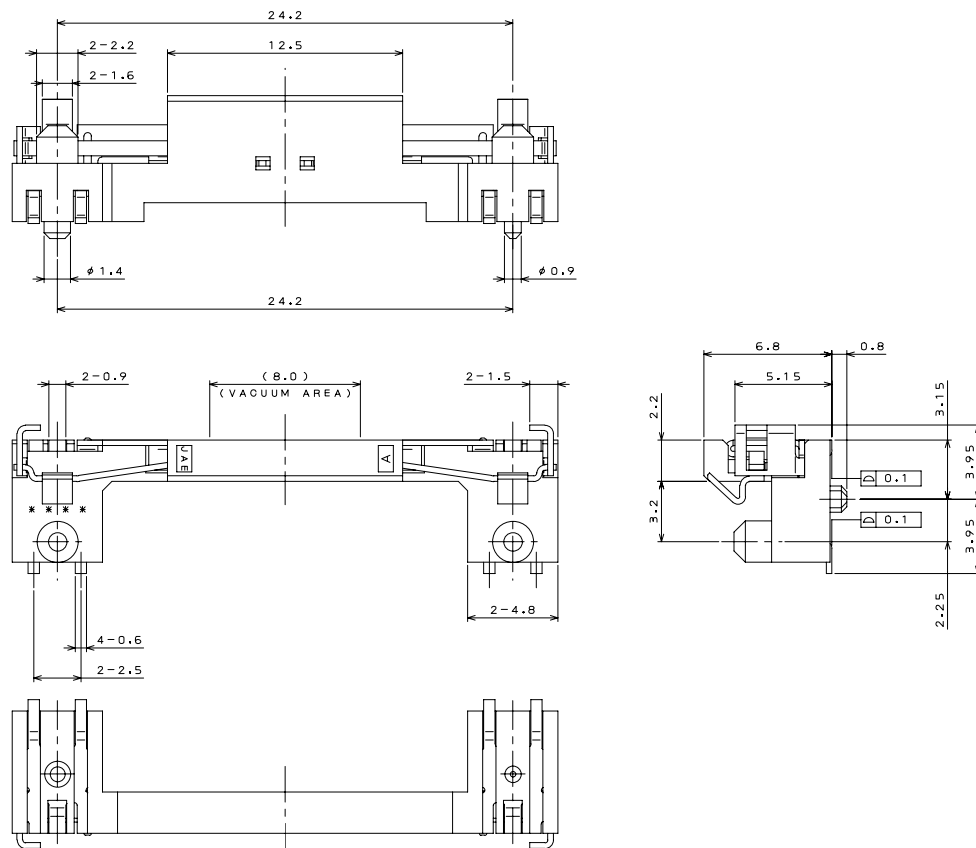
Connector side: MM60-52B1-E1 (SJ105219)

Embossed Tape Product: MM60-52B1-E*-R650 (SJ105220)

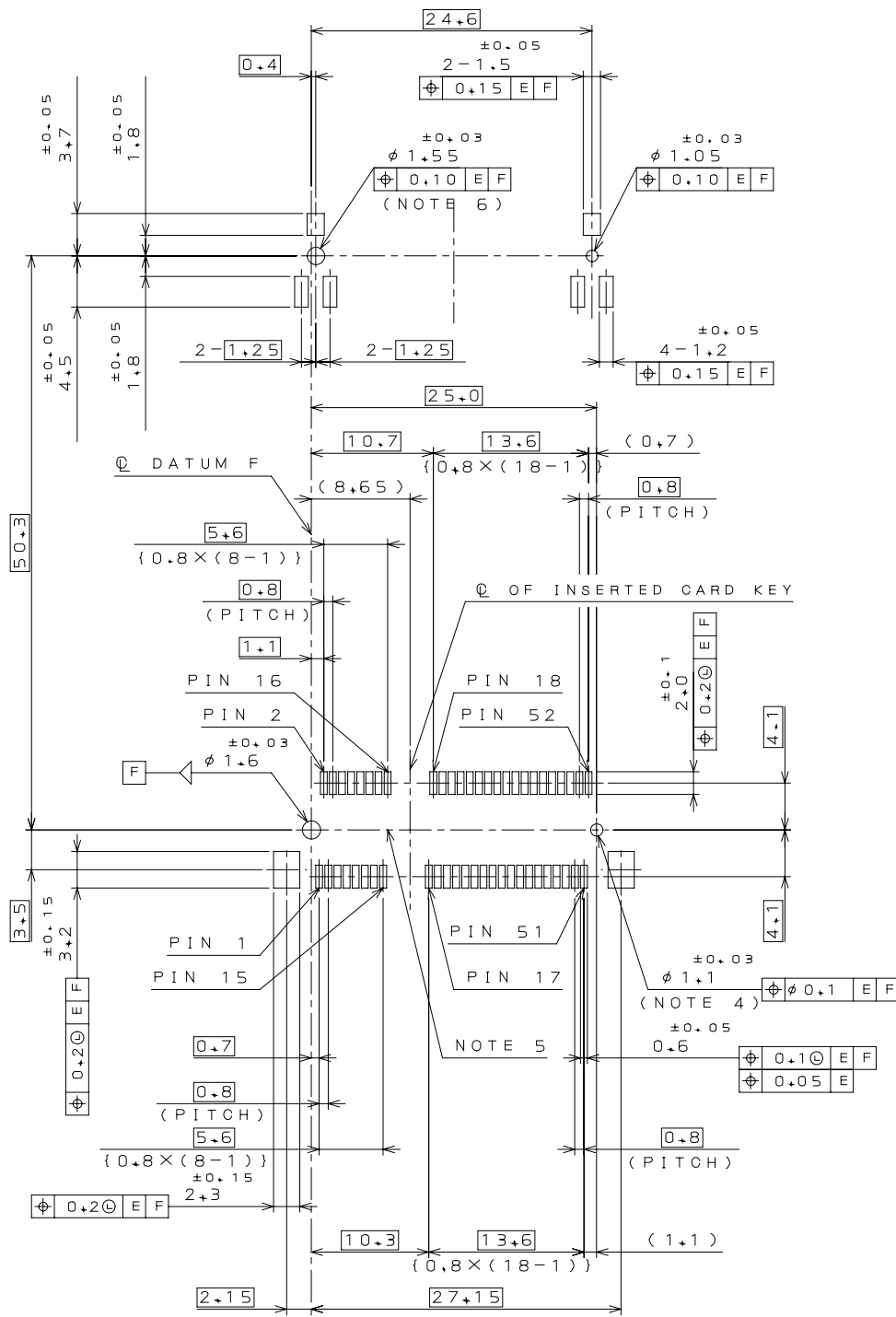


Latch side: MM60-EZH059-B5 (SJ105221)

Embossed Tape Product: MM60-EZH059-B5-R650 (SJ105222)



Applicable dimensions of board (for reference)



****Please refer to SJ drawing
when considering this product**

Japan Aviation Electronics Industry, Limited

Product Marketing Division
Aobadai Building, 3-1-19, Aobadai, Meguro-ku, Tokyo 153-8539
Phone: +81-3-3780-2787 FAX: +81-3-3780-2946

Notice: Products shown in this leaflet are made for the applications listed below. However, if the above-mentioned products are to be used in aerospace devices, marine cable-connection devices, atomic power control systems, medical equipment for life-support systems, or any other specific application requiring extremely high reliability, please contact JAE for further information.

Recommended applications: Computers, Office machines, Measuring devices, Telecommunication devices (Terminals, Mobile devices), AV devices, Household applications, FA devices, etc.