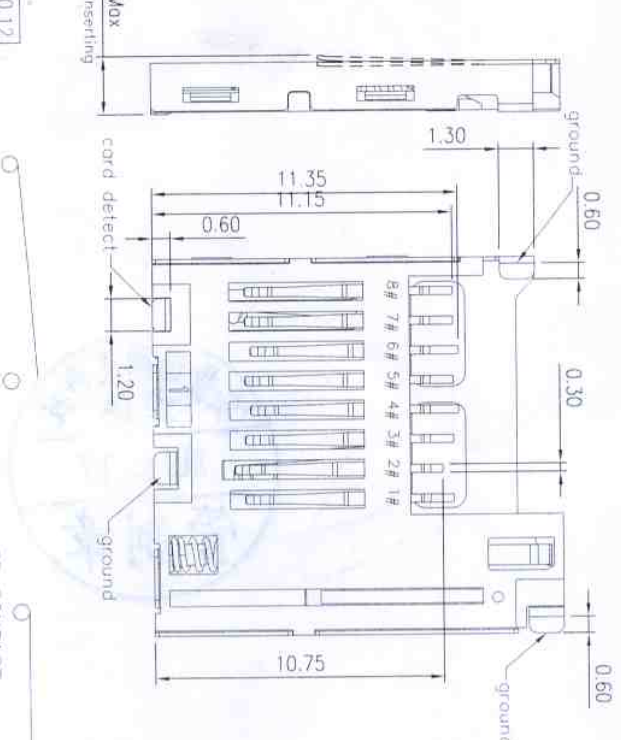
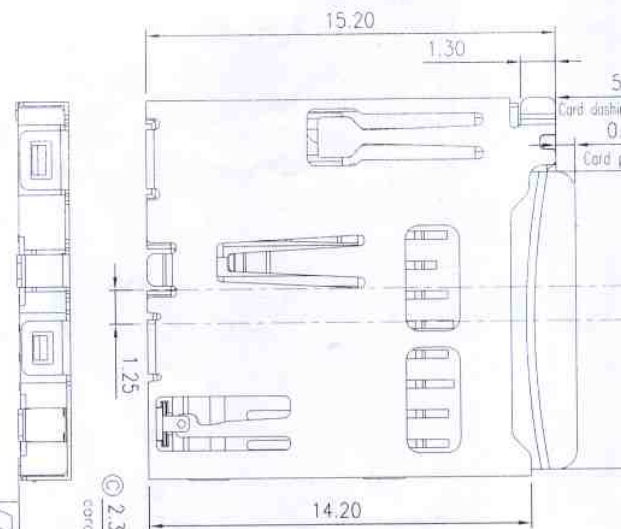
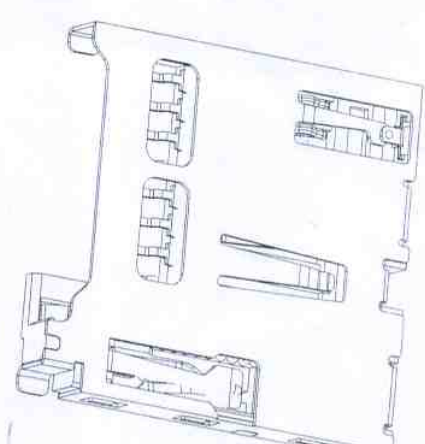


Pin No.	FUNCTION
1	DATA LINE(BIT 2)
2	CARD DETECT/DATA LINE(BIT 3)
3	COMMAND RESPONSE
4	SUPPLY VOLTAGE
5	CLOCK
6	SUPPLY VOLTAGE GROUND
7	DATA LINE(BIT 0)
8	DATA LINE(BIT 1)



- NOTES:
- All Dimensions are in Millimeters
  - Material: Housing: LCP Color:black Contact: Phosphor Bronze Tin 180u" of Solder Tin, Selective Gold on Contact Area (during Specification)
  - Electrical Characteristics:
    - 3.1.0 Contact Resistance: 100±10 mΩ
    - 3.1.1 Dielectric Withstanding Voltage: 500VAC Max with 1 Min/100g Min Per Pin
    - 3.2.5 Operating Temperature: -25°C ~ +85°C
    - 3.2.4 Storage Temperature: -40°C ~ +85°C
  - Mechanical Characteristics:
    - 3.1.2 Insulation Resistance: 1000 MΩ Min
    - 3.1.3 Current Rating: 0.5A AC/DC Max
    - 3.2.0 Mating Force: 30N Max
    - 3.2.1 Unmating Force: 1~30N
    - 3.2.2 Contact Retention Force: 100g Min Per Pin

CD CONTACT GROUND Detect state initial

CD CONTACT GROUND Detect state inserting Cord

RECOMMENDED PCB LAYOUT (ALL TOLERANCE IS 0.05) STEEL BOARD T=0.12MM(0.0047")

10100660  
 6: Reel  
 R1: Contact area Tu, Solder tail Sn 180u"  
 R2: Contact area T5u, Solder tail Sn 180u"

GENERAL	TOLERANCE	FILE NO.	PART NO.	DRAWN	MATERIAL
X ± 0.50	X ± 5'	REV	10100660	JANE	SCALF
X ± 0.38	X ± 2'	SIZE	microSD push push connector (9Pin)-II	CHECKED	DATE 05/13/2009
XX ± 0.25	XX ± 1'	A4	1 OF 1	APPROVED	UPT
					UPT
					UPT
<p>Amphenol Shouh Min Industry</p>					