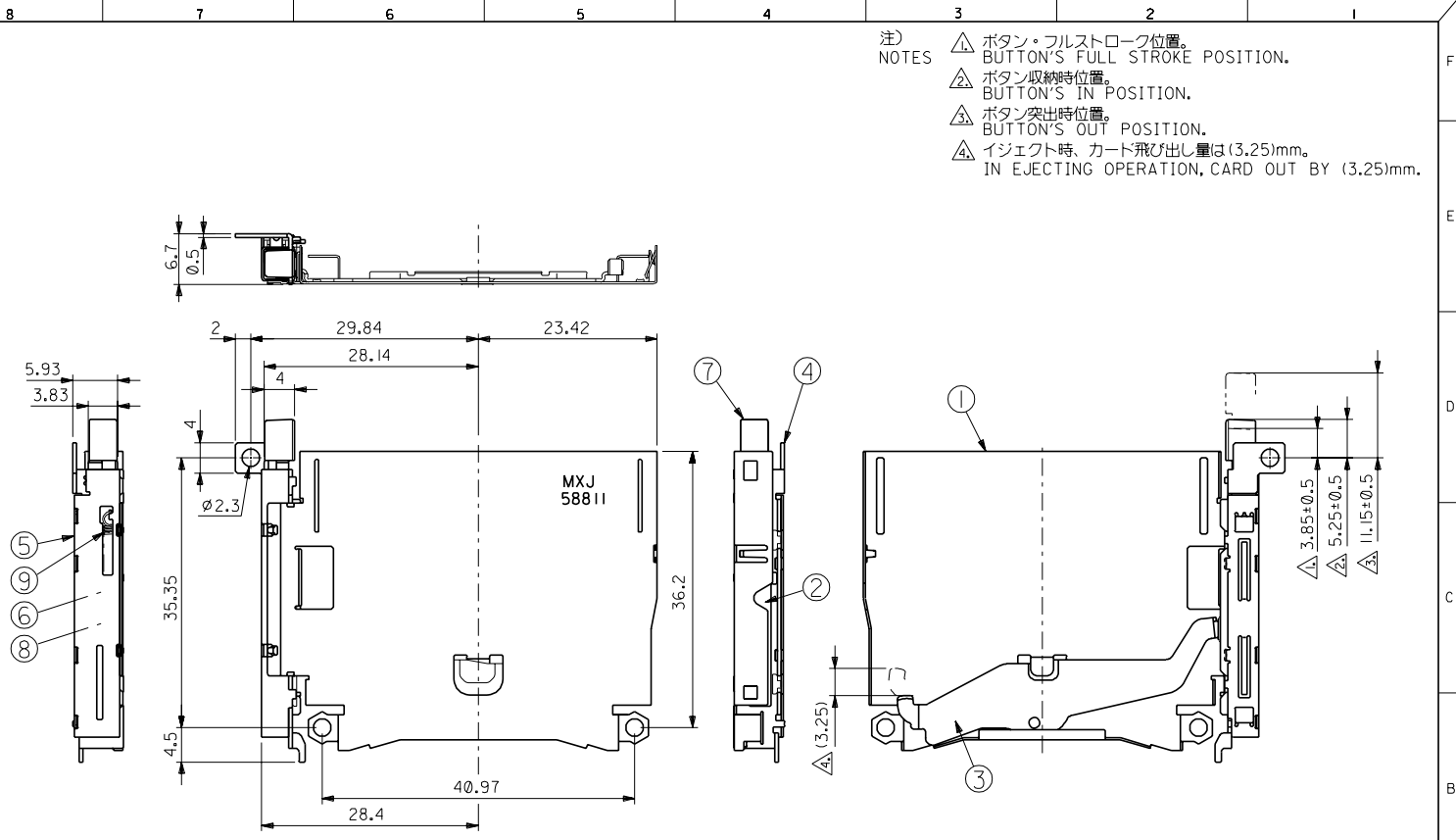


DWG. NO. SD-55365-002

DO NOT SCALE DRAWING



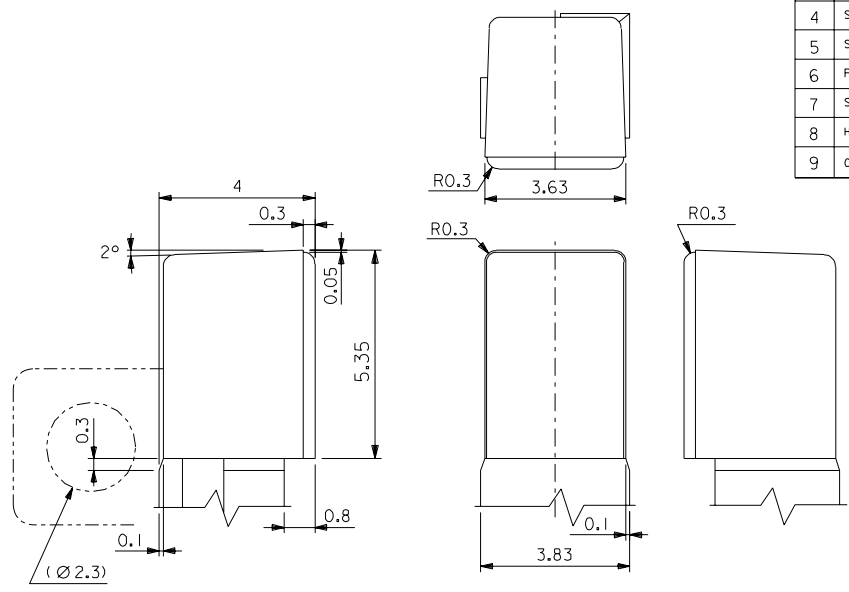
注) NOTES

- ① ボタン・フルストローク位置。
BUTTON'S FULL STROKE POSITION.
- ② ボタン収納時位置。
BUTTON'S IN POSITION.
- ③ ボタン突出時位置。
BUTTON'S OUT POSITION.
- ④ イジェクト時、カード飛び出し量は(3.25)mm。
IN EJECTING OPERATION, CARD OUT BY (3.25)mm.

EC NO. DRWN: CHK: APPR:		EC NO. DRWN: CHK: APPR:		EC NO. DRWN: CHK: APPR:		EC NO. DRWN: CHK: APPR:		EC NO. DRWN: CHK: APPR:		RELEASED EC NO. JD90381 DRWN: THIRATA '98/09/09 CHK: MASAO '98/09/09 APPR: HIKESUGI '98/09/09		MATERIAL 材料 SEE NOTES FINISH 仕上り SEE NOTES		GENERAL TOLERANCES: (UNLESS SPECIFIED) 一般公差		SCALE 2 - 1		DESIGN UNITS <input checked="" type="checkbox"/> mm <input type="checkbox"/> INCH		DIMENSIONS: <input type="checkbox"/> mm <input type="checkbox"/> INCH <input checked="" type="checkbox"/> mm ONLY		SHT REV									
										DESCRIPTION 0		WIRE RANGE 通用電線範囲 —		INS. RANGE 被覆外径 —		DRAWN BY & DATE T. Kiyata '98/09/09		CHECKED BY & DATE H. Saito '98/09/09		APPROVED BY & DATE [Signature] '98/09/09		TITLE: CF CARD CONN. EJECT MECHANISM EJECT ASS'Y		CAD FILENAME 55365002.S01		MATERIAL NO. 55365-0011		DRAWING NO. SD-55365-002		SHEET NO. 1 OF 2	
																		MOLEX INCORPORATED		THIS DRAWING CONTAINS INFORMATION THAT IS PROPRIETARY TO MOLEX INCORPORATED AND SHOULD NOT BE USED WITHOUT WRITTEN PERMISSION.		SIZE B									
																				EN-02(J097) MXJ-54											

DWG. NO. SD-55365-002

No.	品名 NAME	材料 MATERIAL	仕上げ FINISH	個数 PIECE
1	METAL SHELL	ステンレス鋼 1.0, 25 STAINLESS STEEL 1.0, 25	—	1
2	PUSH ROD	ステンレス鋼 1.0, 5 STAINLESS STEEL 1.0, 5	—	1
3	LEVER	ステンレス鋼 1.0, 4 STAINLESS STEEL 1.0, 4	—	1
4	SIDE PLATE	ステンレス鋼 1.0, 5 STAINLESS STEEL 1.0, 5	—	1
5	SIDE COVER	ステンレス鋼 1.0, 25 STAINLESS STEEL 1.0, 25	—	1
6	PIN PLATE	鋼 STEEL	フッ素樹脂コーティング FLUORINE RESIN COATING	1
7	SLIDER	ポリカーボネート UL94V-0 色:黒色 POLYCARBONATE UL94V-0 COLOR:BLACK	—	1
8	HEART CAM	ポリカーボネート UL94V-0 色:黒色 POLYCARBONATE UL94V-0 COLOR:BLACK	—	1
9	COIL SPRING	ステンレス鋼 ϕ 0.22 STAINLESS STEEL ϕ 0.22	—	1



ボタン詳細寸法
DETAIL OF BUTTON

DO NOT SCALE DRAWING	EC NO. DRWN: CHK: APPR:	EC NO. DRWN: CHK: APPR:	EC NO. DRWN: CHK: APPR:	EC NO. DRWN: CHK: APPR:	EC NO. DRWN: CHK: APPR:	REV	DESCRIPTION	MATERIAL 材料	GENERAL TOLERANCES: (UNLESS SPECIFIED) 一般公差	SCALE 2 - 1	DESIGN UNITS <input checked="" type="checkbox"/> mm <input type="checkbox"/> INCH	THIRD ANGLE PROJECTION	DIMENSIONS: <input type="checkbox"/> mm <input type="checkbox"/> INCH <input checked="" type="checkbox"/> mm ONLY	SHT	REV
								SEE NOTES	10 UNDER 未満	+0.2	DRAWN BY & DATE T. Kiata '98/09/09	TITLE: CF CARD CONN. EJECT MECHANISM EJECT ASS'Y	MOLEX INCORPORATED		
							FINISH 仕上げ	SEE NOTES	10 OVER 以上	30 UNDER 未満	+0.25	CHECKED BY & DATE H. Saito '98/09/09			
							WIRE RANGE 適用電線範囲	—	30 OVER 以上		+0.3	APPROVED BY & DATE S. Hara '98/09/09			
							INS. RANGE 被覆外径	—	ANGLE 角度		+3°	CAD FILENAME 55365002.S02	MATERIAL NO. 55365-0011	DRAWING NO. SD-55365-002	SHEET NO. 2
									THIS DRAWING CONTAINS INFORMATION THAT IS PROPRIETARY TO MOLEX INCORPORATED AND SHOULD NOT BE USED WITHOUT WRITTEN PERMISSION.					SIZE B	

EN-02(J1097) MXJ-54