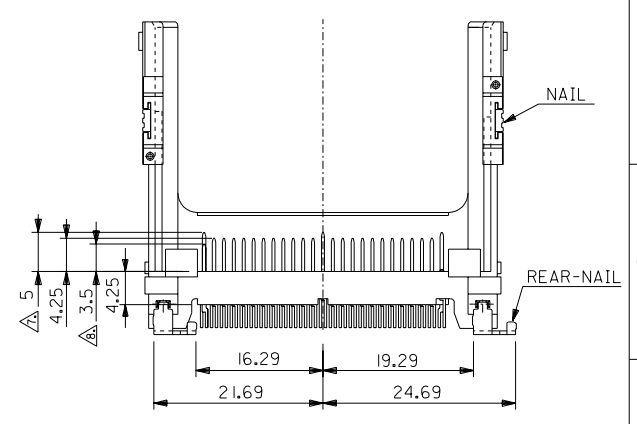
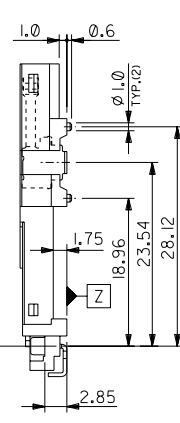
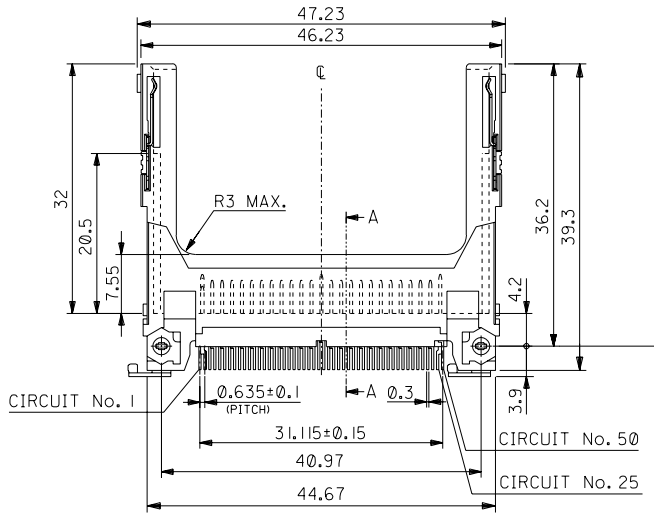
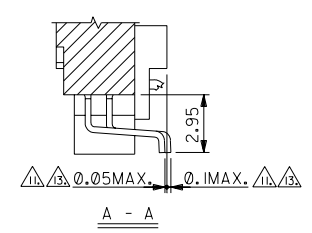
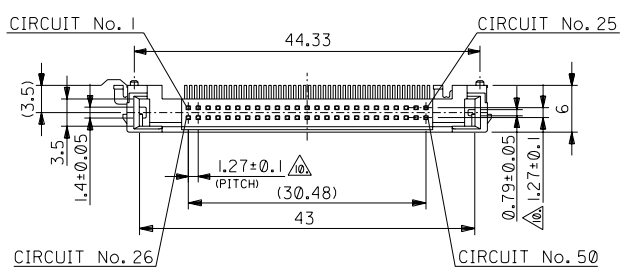


DWG. NO. SD-55359-015



SEMI-HARD TRAY PACKAGE	55359-5027
SOFT TRAY PACKAGE	55359-5029
PACKING TRAY FORM	MATERIAL No.

DO NOT SCALE DRAWING

EC NO. DRWN: CHK: APPR:	EC NO. DRWN: CHK: APPR:	EC NO. DRWN: CHK: APPR:	EC NO. DRWN: CHK: APPR:	EC NO. DRWN: CHK: APPR:	RELEASED 04/03/22 EC NO. J2004-3249 DRWN: Y.SAKIYAMA CHK: M.SASAO APPR: M.SASAO	MATERIAL 材料 SHEET 2 OF 2 参照 REFER TO SHEET 2 OF 2	GENERAL TOLERANCES: (UNLESS SPECIFIED) 一般公差	SCALE ———	DESIGN UNITS <input checked="" type="checkbox"/> mm <input type="checkbox"/> INCH	THIRD ANGLE PROJECTION	DIMENSIONS: <input type="checkbox"/> mm <input type="checkbox"/> INCH <input checked="" type="checkbox"/> mm ONLY	SHT REV
						FINISH 仕上付 SHEET 2 OF 2 参照 REFER TO SHEET 2 OF 2	10 UNDER 未満 +0.2	DRAWN BY & DATE Y.Sakiyama 04/03/22	TITLE: CF CARD CONN. 50P HEADER ASS'Y (TYPE I/II, REVERSE) -LEAD FREE-			REVISE ON CAD ONLY
						WIRE RANGE 適用電線範囲	10 OVER 以上 30 UNDER 未満 +0.25	CHECKED BY & DATE H. Sasaki 04/03/22	MOLEX INCORPORATED			SHEET NO. 1 OF 2
						INS. RANGE 被覆外径	30 OVER 以上 +0.3	APPROVED BY & DATE H. Sasaki 04/03/22	CAD FILENAME SD-55359-015.S01	MATERIAL NO. SEE CHART	DRAWING NO. SD-55359-015	SIZE B
THIS DRAWING CONTAINS INFORMATION THAT IS PROPRIETARY TO MOLEX INCORPORATED AND SHOULD NOT BE USED WITHOUT WRITTEN PERMISSION.												EN-02J(097) MXJ-54

