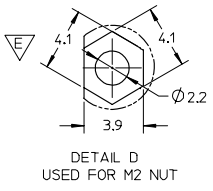
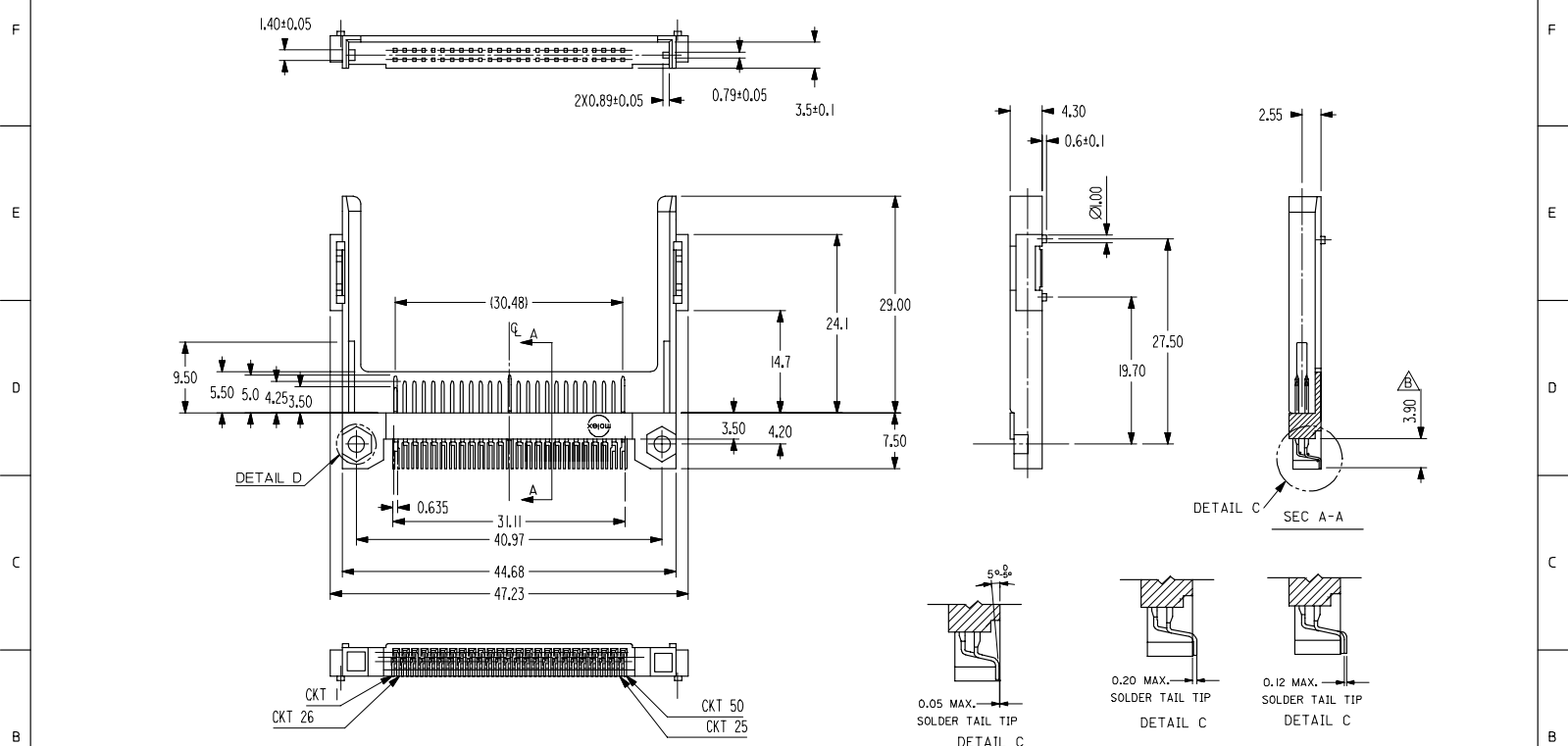
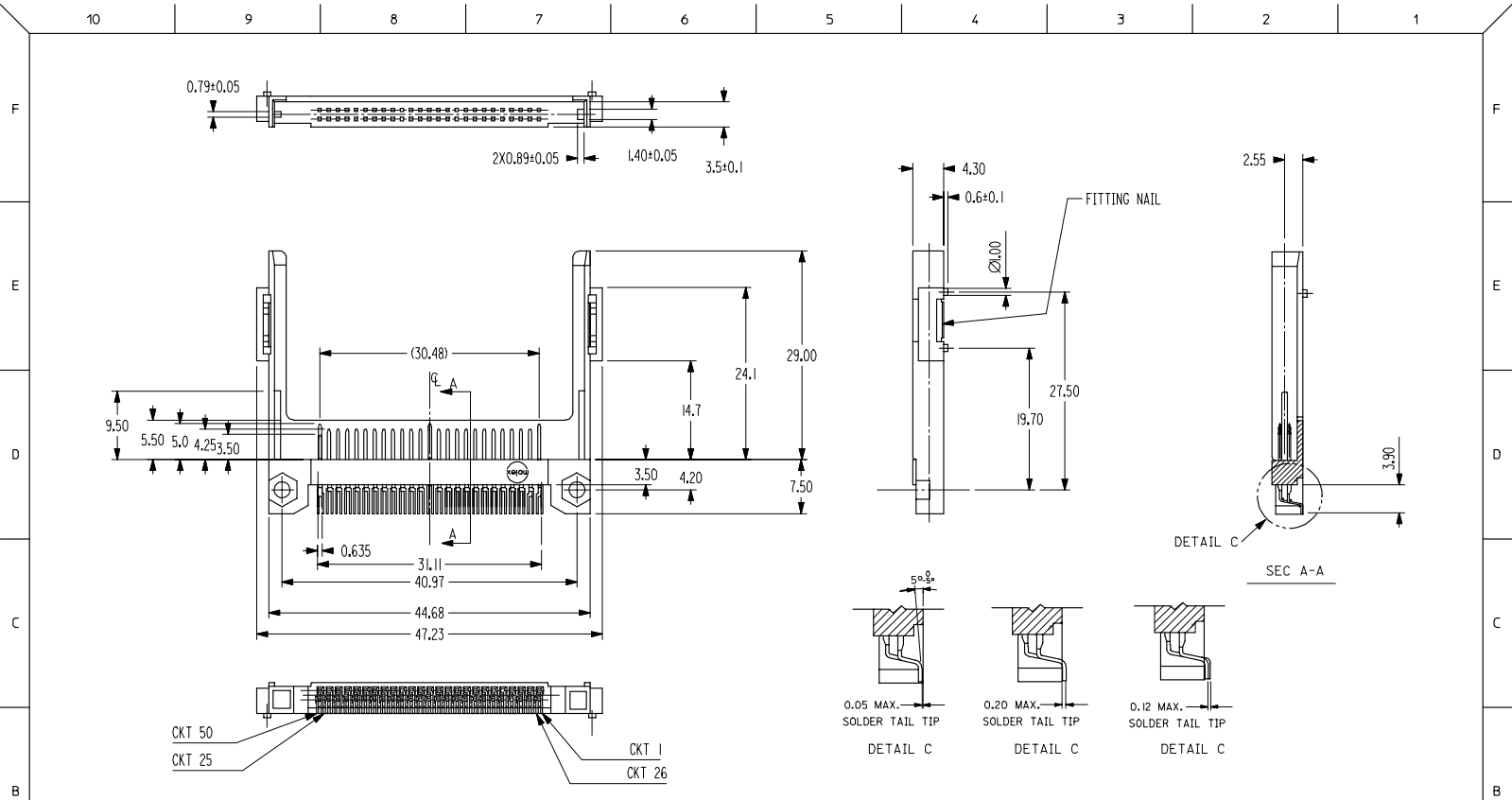


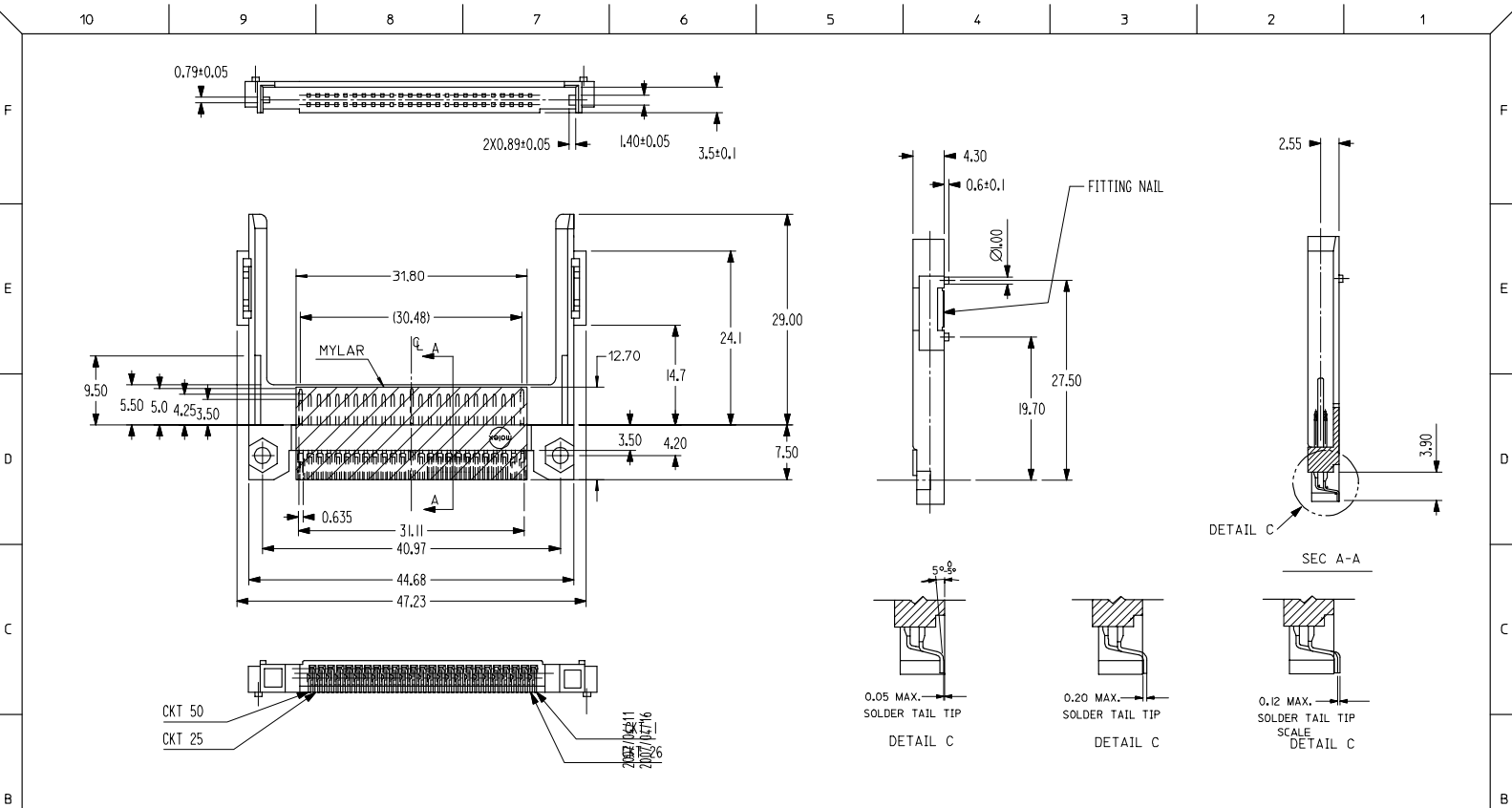
10 9 8 7 6 5 4 3 2 1



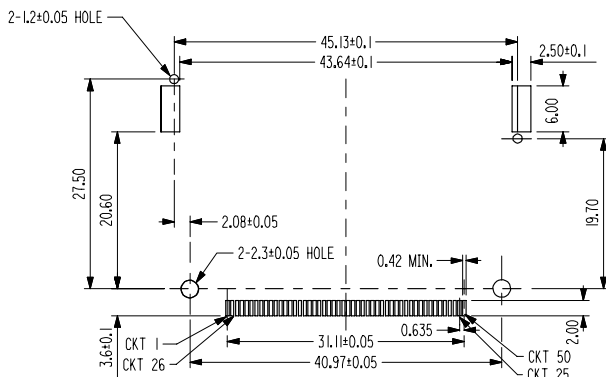
|   |                               |   |  |  |  |                           |                        |                              |
|---|-------------------------------|---|--|--|--|---------------------------|------------------------|------------------------------|
| REVISED<br>EC NO. SH2007-0727<br>DRAWN: CHEN26<br>CHECK: JIAN<br>APPR: JICHEN<br>2007/04/10<br>2007/04/11<br>2007/04/16 | QUALITY SYMBOLS<br>▽=0<br>▽=0 | GENERAL TOLERANCES (UNLESS SPECIFIED)   |  | DIMENSION STYLE<br>MM ONLY                 |  | SCALE<br>2:1              | DESIGN UNITS<br>METRIC | THIRD ANGLE PROJECTION       |
|   |                               | 4 PLACES ± --- ± ---<br>3 PLACES ± --- ± ---<br>2 PLACES ± 0.15 ± ---<br>1 PLACE ± 0.15 ± ---<br>ANGULAR ± 2 °                | mm INCH<br>DRAWN BY JACK LIN<br>CHECKED BY WALLY WA<br>APPROVED BY MEGA LIN<br>DATE 1998/08/06<br>DATE 1998/08/06<br>DATE 1998/08/06 | TITLE<br>50 CIRCUITS CF LOW PROFILE HEADER |  | MATERIAL NO.<br>671550001 |                        | DOCUMENT NO.<br>SD-67155-001 |
| DRAFT WHERE APPLICABLE MUST REMAIN WITHIN DIMENSIONS  |                               | THIS DRAWING CONTAINS INFORMATION THAT IS PROPRIETARY TO MOLEX INCORPORATED AND SHOULD NOT BE USED WITHOUT WRITTEN PERMISSION |  |  |  |                           |                        |                              |



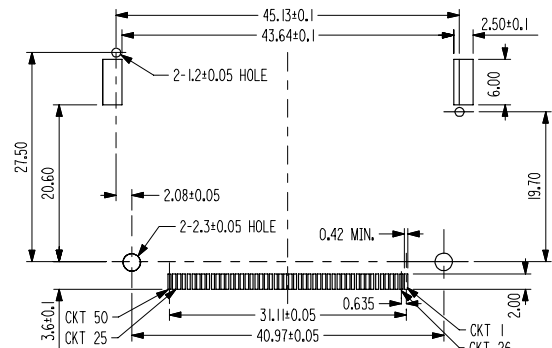
| REVISED<br>EC NO. SH2007-0727<br>DRAWN: CHEN26<br>CHECKED: JIAN<br>APPR: JICHEN<br>2007/04/10<br>2007/04/11<br>2007/04/16 | QUALITY SYMBOLS                    | GENERAL TOLERANCES (UNLESS SPECIFIED)   | DIMENSION STYLE   | SCALE | DESIGN UNITS     | THIRD ANGLE PROJECTION |       |       |          |       |       |          |        |       |         |        |       |               |  |  |   |  |  |
|---|------------------------------------|---|---|-------|------------------|------------------------|-------|-------|----------|-------|-------|----------|--------|-------|---------|--------|-------|---------------|--|--|---|--|--|
|   | $\nabla=0$<br>$\nabla=0$           |   | MM ONLY   | 2:1   | METRIC           |                        |       |       |          |       |       |          |        |       |         |        |       |               |  |  |   |  |  |
|   |                                    | <table border="1"> <tr> <th></th> <th>mm</th> <th>INCH</th> </tr> <tr> <td>4 PLACES</td> <td>± ---</td> <td>± ---</td> </tr> <tr> <td>3 PLACES</td> <td>± ---</td> <td>± ---</td> </tr> <tr> <td>2 PLACES</td> <td>± 0.15</td> <td>± ---</td> </tr> <tr> <td>1 PLACE</td> <td>± 0.15</td> <td>± ---</td> </tr> <tr> <td colspan="3">ANGULAR ± 2 °</td> </tr> </table> |   | mm    | INCH             | 4 PLACES               | ± --- | ± --- | 3 PLACES | ± --- | ± --- | 2 PLACES | ± 0.15 | ± --- | 1 PLACE | ± 0.15 | ± --- | ANGULAR ± 2 ° |  |  | DRAWN BY: JACK LIN<br>DATE: 1998/08/06<br>CHECKED BY: WALLY WA<br>DATE: 1998/08/06<br>APPROVED BY: MEGA LIN<br>DATE: 1998/08/06 | TITLE: 50 CIRCUITS CF LOW PROFILE HEADER |  |
|   |                                    | mm  | INCH  |       |                  |                        |       |       |          |       |       |          |        |       |         |        |       |               |  |  |   |  |  |
| 4 PLACES  | ± ---                              | ± ---   |   |       |                  |                        |       |       |          |       |       |          |        |       |         |        |       |               |  |  |   |  |  |
| 3 PLACES  | ± ---                              | ± ---   |   |       |                  |                        |       |       |          |       |       |          |        |       |         |        |       |               |  |  |   |  |  |
| 2 PLACES  | ± 0.15                             | ± ---   |   |       |                  |                        |       |       |          |       |       |          |        |       |         |        |       |               |  |  |   |  |  |
| 1 PLACE   | ± 0.15                             | ± ---   |   |       |                  |                        |       |       |          |       |       |          |        |       |         |        |       |               |  |  |   |  |  |
| ANGULAR ± 2 °   |                                    |   |   |       |                  |                        |       |       |          |       |       |          |        |       |         |        |       |               |  |  |   |  |  |
| DRAFT WHERE APPLICABLE MUST REMAIN WITHIN DIMENSIONS  | MATERIAL NO. 671550002<br>SIZE: A3 | DOCUMENT NO. SD-67155-001   | MOLEX INCORPORATED<br>THIS DRAWING CONTAINS INFORMATION THAT IS PROPRIETARY TO MOLEX INCORPORATED AND SHOULD NOT BE USED WITHOUT WRITTEN PERMISSION |       | SHEET NO. 2 OF 4 |                        |       |       |          |       |       |          |        |       |         |        |       |               |  |  |   |  |  |



|   |  |   |   |   |   |  |
|---|--|---|---|---|---|--|
| REVISED<br>EC NO. SH2007-0727<br>2007/04/10<br>DRW: WACHEN26<br>CHK: J. JIAN<br>APPR: J. CHEN | QUALITY SYMBOLS<br>▽=0<br>▽=0                              | GENERAL TOLERANCES (UNLESS SPECIFIED)<br>mm    INCH<br>4 PLACES ± --- ± ---<br>3 PLACES ± --- ± ---<br>2 PLACES ± 0.15 ± ---<br>1 PLACE ± 0.15 ± ---<br>ANGULAR ± 2 ° | DIMENSION STYLE<br>MM ONLY<br>DRAWN BY    DATE<br>JACK L IN    1998/08/06<br>CHECKED BY    DATE<br>WALLY WA    1998/08/06<br>APPROVED BY    DATE<br>MEGA L IN    1998/08/06 | 2:1<br>DESIGN UNITS<br>METRIC<br>THIRD ANGLE<br>PROJECTION  | TITLE<br>50 CIRCUITS CF LOW<br>PROFILE HEADER |  |
|   | DRAFT WHERE APPLICABLE<br>MUST REMAIN<br>WITHIN DIMENSIONS |   | MATERIAL NO.<br>671550003   | DOCUMENT NO.<br>SD-67155-001  | SHEET NO.<br>3 OF 4                           |  |
|   |  |   | SIZE<br>A3  | THIS DRAWING CONTAINS INFORMATION THAT IS PROPRIETARY TO MOLEX INCORPORATED AND SHOULD NOT BE USED WITHOUT WRITTEN PERMISSION |   |  |
|   |  |   | MOLEX INCORPORATED  |   |   |  |



RECOMMENDED PCB LAYOUT  
REVERSE TYPE



RECOMMENDED PCB LAYOUT  
STANDARD TYPE

NOTES:

- MATERIAL : HOUSING: HIGH TEMP PLASTIC, UL94 V-0, COLOR: IVORY  
TERMINAL: COPPER ALLOY
- PLATING: CONTACT AREA: AU OVER PD-NI  
SOLDERING TAIL: TIN  
NICKEL OVERALL  
FITTING NAIL: TIN  
NICKEL OVERALL
- RECOMMENDED PCB THICKNESS: 0.8MM
- THE COPLANARITY OF SOLDER TAILS SHOULD BE WITHIN 0.12 MM
- FOR PRODUCT SPECIFICATION: REFER TO PS-67155-003

| PART NUMBER | DISCRIPTION              | PACKAGING                   |
|-------------|--------------------------|-----------------------------|
| 67155-0001  | REVERSE TYPE             | TYAY<br>PK-67155-001        |
| 67155-0002  | STANDARD TYPE            |                             |
| 67155-0003  | STANDARD TYPE WITH MYLAR | TAPE & REEL<br>PK-67155-002 |
| 67155-0004  | STANDARD TYPE WITH MYLAR |                             |

| REVISED<br>EC NO: SH2007-0727<br>DRW: WARCHEN26<br>CHK: CHIKO-TIAN<br>APPR: JINCHEN<br>2007/04/10<br>2007/04/11<br>2007/04/16 | QUALITY SYMBOLS          | GENERAL TOLERANCES (UNLESS SPECIFIED)   | DIMENSION STYLE    | SCALE   | DESIGN UNITS | THIRD ANGLE PROJECTION |       |       |          |       |       |          |        |       |         |        |       |               |  |  |         |     |        |  |
|---|--------------------------|---|--------------------|---|--------------|------------------------|-------|-------|----------|-------|-------|----------|--------|-------|---------|--------|-------|---------------|--|--|---------|-----|--------|--|
|   | $\nabla=0$<br>$\nabla=0$ | <table border="1"> <tr> <th></th> <th>mm</th> <th>INCH</th> </tr> <tr> <td>4 PLACES</td> <td>± ---</td> <td>± ---</td> </tr> <tr> <td>3 PLACES</td> <td>± ---</td> <td>± ---</td> </tr> <tr> <td>2 PLACES</td> <td>± 0.15</td> <td>± ---</td> </tr> <tr> <td>1 PLACE</td> <td>± 0.15</td> <td>± ---</td> </tr> <tr> <td colspan="3">ANGULAR ± 2 °</td> </tr> </table> |                    | mm  | INCH         | 4 PLACES               | ± --- | ± --- | 3 PLACES | ± --- | ± --- | 2 PLACES | ± 0.15 | ± --- | 1 PLACE | ± 0.15 | ± --- | ANGULAR ± 2 ° |  |  | MM ONLY | 2:1 | METRIC |  |
|   |                          | mm  | INCH               |   |              |                        |       |       |          |       |       |          |        |       |         |        |       |               |  |  |         |     |        |  |
|   | 4 PLACES                 | ± ---   | ± ---              |   |              |                        |       |       |          |       |       |          |        |       |         |        |       |               |  |  |         |     |        |  |
| 3 PLACES  | ± ---                    | ± ---   |                    |   |              |                        |       |       |          |       |       |          |        |       |         |        |       |               |  |  |         |     |        |  |
| 2 PLACES  | ± 0.15                   | ± ---   |                    |   |              |                        |       |       |          |       |       |          |        |       |         |        |       |               |  |  |         |     |        |  |
| 1 PLACE   | ± 0.15                   | ± ---   |                    |   |              |                        |       |       |          |       |       |          |        |       |         |        |       |               |  |  |         |     |        |  |
| ANGULAR ± 2 °   |                          |   |                    |   |              |                        |       |       |          |       |       |          |        |       |         |        |       |               |  |  |         |     |        |  |
| DESCRIPTION   | DRAWN BY                 | DATE  | TITLE              | 50 CIRCUITS CF LOW PROFILE HEADER   |              |                        |       |       |          |       |       |          |        |       |         |        |       |               |  |  |         |     |        |  |
| REV   | JACK LIN                 | 1998/08/06  | MOLEX INCORPORATED | MATERIAL NO. SD-67155-001   |              |                        |       |       |          |       |       |          |        |       |         |        |       |               |  |  |         |     |        |  |
|   | CHECKED BY               | DATE  | SEE TABLE          | DOCUMENT NO. SD-67155-001   |              |                        |       |       |          |       |       |          |        |       |         |        |       |               |  |  |         |     |        |  |
|   | WALLY WA                 | 1998/08/06  | SIZE               | SHEET NO. 4 OF 4  |              |                        |       |       |          |       |       |          |        |       |         |        |       |               |  |  |         |     |        |  |
|   | APPROVED BY              | DATE  | A3                 | THIS DRAWING CONTAINS INFORMATION THAT IS PROPRIETARY TO MOLEX INCORPORATED AND SHOULD NOT BE USED WITHOUT WRITTEN PERMISSION |              |                        |       |       |          |       |       |          |        |       |         |        |       |               |  |  |         |     |        |  |
|   | MEGA LIN                 | 1998/08/06  |                    |   |              |                        |       |       |          |       |       |          |        |       |         |        |       |               |  |  |         |     |        |  |