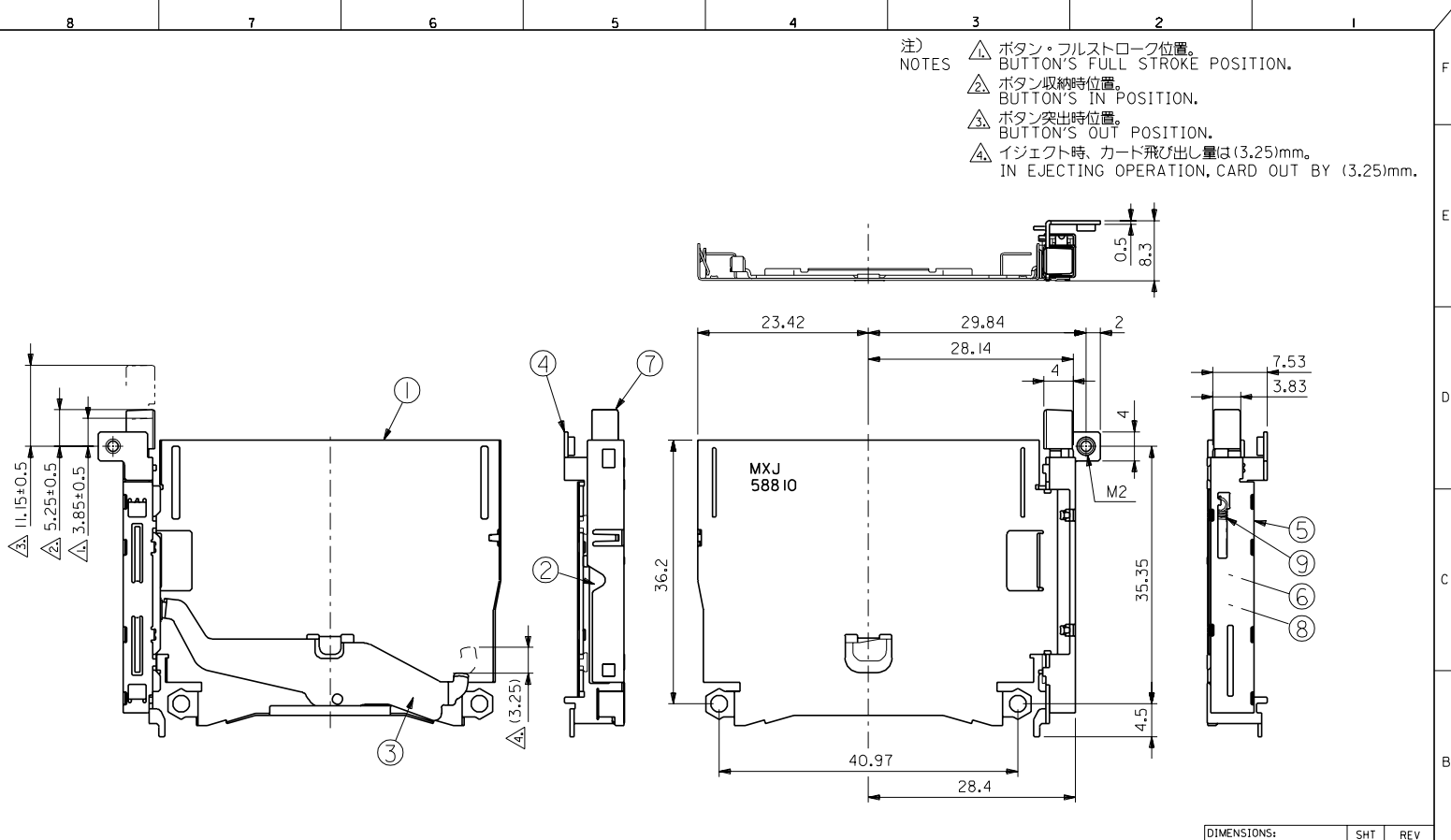


DWG. NO. SD-55364-002

DO NOT SCALE DRAWING



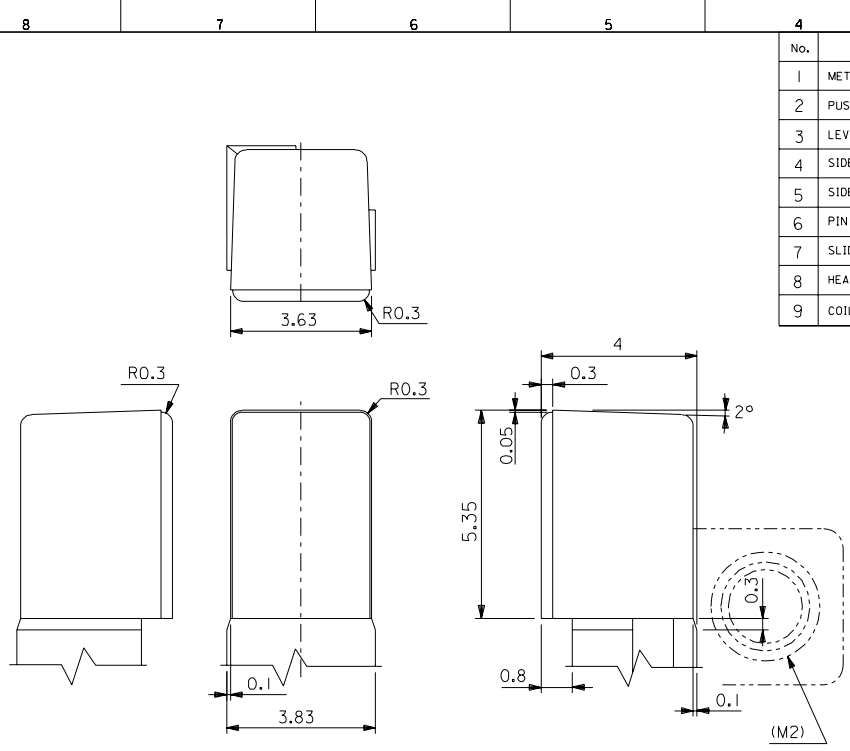
注) NOTES

- ① ボタン・フルストローク位置。  
BUTTON'S FULL STROKE POSITION.
- ② ボタン収納時位置。  
BUTTON'S IN POSITION.
- ③ ボタン突出時位置。  
BUTTON'S OUT POSITION.
- ④ イジェクト時、カード飛び出し量は(3.25)mm。  
IN EJECTING OPERATION, CARD OUT BY (3.25)mm.

EC NO. DRWN: CHK: APPR:		EC NO. DRWN: CHK: APPR:		EC NO. DRWN: CHK: APPR:		EC NO. DRWN: CHK: APPR:		EC NO. DRWN: CHK: APPR:		RELEASED EC NO. JD90381 DRWN: THIRATA '98/09/09 CHK: MSASAO '98/09/09 APPR: HIKESUGI '98/09/09		MATERIAL 材料 SEE NOTES		GENERAL TOLERANCES: (UNLESS SPECIFIED) 一般公差		SCALE 2 - 1		DESIGN UNITS <input checked="" type="checkbox"/> mm <input type="checkbox"/> INCH		DIMENSIONS: <input type="checkbox"/> mm <input type="checkbox"/> INCH <input checked="" type="checkbox"/> mm ONLY		SHT REV	
										FINISH 仕上り SEE NOTES		10 UNDER 未満 +0.2		DRAWN BY & DATE <i>T. Kiwata</i> '98/09/09		THIRD ANGLE PROJECTION		TITLE: CF CARD CONN. EJECT MECHANISM EJECT ASS'Y		REVISE ON CAD ONLY			
										WIRE RANGE 通用電線範囲		10 OVER 以上 30 UNDER 未満 +0.25		CHECKED BY & DATE <i>H. Saito</i> '98/09/09		MOLEX INCORPORATED		SHEET NO. 1 OF 2					
										INS. RANGE 被覆外径		30 OVER 以上 +0.3		APPROVED BY & DATE <i>sp. (Stamp)</i> '98/09/09		MATERIAL NO. 55364-0011		DRAWING NO. SD-55364-002		SIZE B			
										ANGLE 角度 +3°		CAD FILENAME 55364002.S01		THIS DRAWING CONTAINS INFORMATION THAT IS PROPRIETARY TO MOLEX INCORPORATED AND SHOULD NOT BE USED WITHOUT WRITTEN PERMISSION.		EN-02(J1097) MXJ-54							

DWG. NO. SD-55364-002

DO NOT SCALE DRAWING

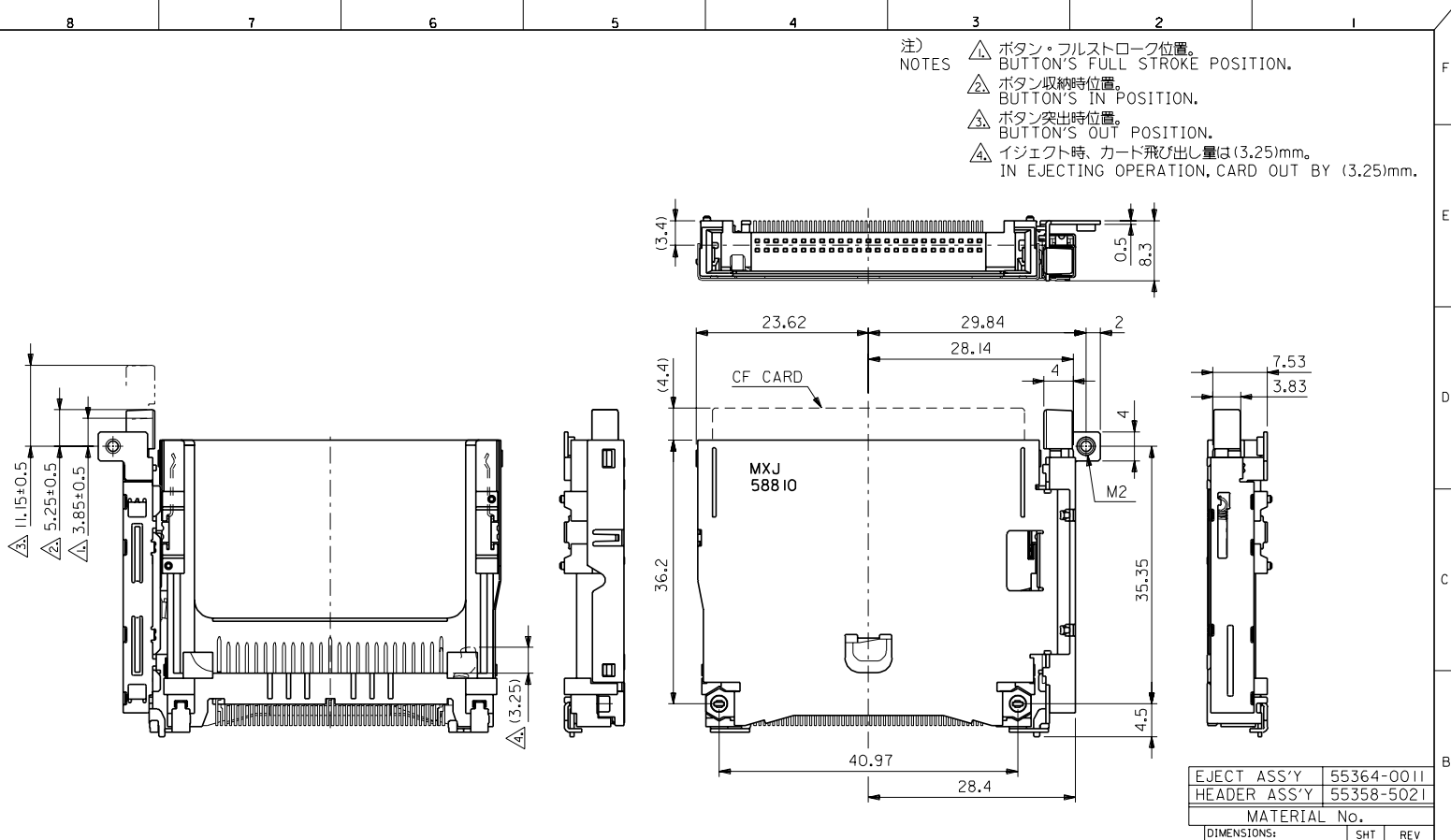


ボタン詳細寸法  
DETAIL OF BUTTON

No.	品名 NAME	材料 MATERIAL	仕上げ FINISH	個数 PIECE
1	METAL SHELL	ステンレス鋼 1 0.25 STAINLESS STEEL 1 0.25	—	1
2	PUSH ROD	ステンレス鋼 1 0.5 STAINLESS STEEL 1 0.5	—	1
3	LEVER	ステンレス鋼 1 0.4 STAINLESS STEEL 1 0.4	—	1
4	SIDE PLATE	ステンレス鋼 1 0.5 STAINLESS STEEL 1 0.5	—	1
5	SIDE COVER	ステンレス鋼 1 0.25 STAINLESS STEEL 1 0.25	—	1
6	PIN PLATE	鋼 STEEL	フッ素樹脂コーティング FLUORINE RESIN COATING	1
7	SLIDER	ポリカーボネート UL94V-0 色 : 黒色 POLYCARBONATE UL94V-0 COLOR: BLACK	—	1
8	HEART CAM	ポリカーボネート UL94V-0 色 : 黒色 POLYCARBONATE UL94V-0 COLOR: BLACK	—	1
9	COIL SPRING	ステンレス鋼 φ 0.22 STAINLESS STEEL φ 0.22	—	1

DO NOT SCALE DRAWING	EC NO. DRWN: CHK: APPR:	EC NO. DRWN: CHK: APPR:	EC NO. DRWN: CHK: APPR:	EC NO. DRWN: CHK: APPR:	EC NO. DRWN: CHK: APPR:	EC NO. DRWN: CHK: APPR:	REV	DESCRIPTION	MATERIAL 材料	GENERAL TOLERANCES: (UNLESS SPECIFIED) 一般公差	SCALE 2 - 1	DESIGN UNITS <input checked="" type="checkbox"/> mm <input type="checkbox"/> INCH	THIRD ANGLE PROJECTION	DIMENSIONS: <input type="checkbox"/> mm <input type="checkbox"/> INCH <input checked="" type="checkbox"/> mm ONLY	SHT	REV	
	SEE NOTES								FINISH 仕上げ	SEE NOTES	10 UNDER 未満	+0.2	DRAWN BY & DATE <i>T. Kiata</i> '98/09/09	TITLE: CF CARD CONN. EJECT MECHANISM EJECT ASS'Y			
	SEE NOTES								WIRE RANGE 適用電線範囲	—	10 OVER 以上 30 UNDER 未満	+0.25	CHECKED BY & DATE <i>H. Saito</i> '98/09/09	MOLEX INCORPORATED			
	SEE NOTES								INS. RANGE 被覆外径	—	30 OVER 以上	+0.3	APPROVED BY & DATE <i>sp. (imp)</i> '98/09/09	MATERIAL NO. 55364-0011 DRAWING NO. SD-55364-002 SHEET NO. 2			
8	7	6	5	4	3	2	1	CAD FILENAME 55364002.S02								EN-02(J1097) MXJ-54	

DWG. NO. SD-55364-003



注) NOTES

- 1. ボタン・フルストローク位置。  
BUTTON'S FULL STROKE POSITION.
- 2. ボタン収納時位置。  
BUTTON'S IN POSITION.
- 3. ボタン突出時位置。  
BUTTON'S OUT POSITION.
- イジェクト時、カード飛び出し量は(3.25)mm。  
IN EJECTING OPERATION, CARD OUT BY (3.25)mm.

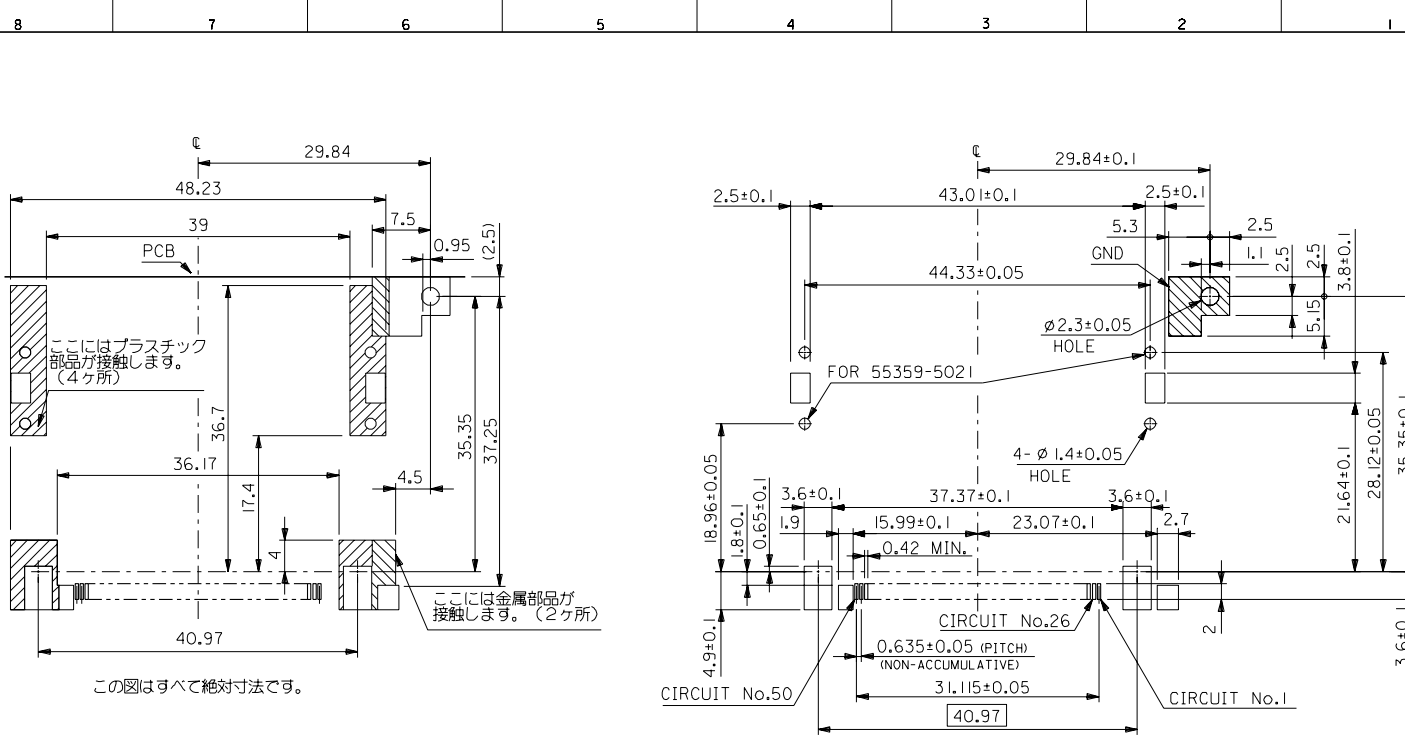
EJECT ASS'Y	55364-0011
HEADER ASS'Y	55358-5021

MATERIAL No.	
DIMENSIONS:	SHT REV
<input type="checkbox"/> mm <input type="checkbox"/> INCH <input checked="" type="checkbox"/> mm ONLY	REVISE ON CAD ONLY

DO NOT SCALE DRAWING

EC NO. DRWN: CHK: APPR:	REVISED EC NO. JD2000-1126 DRWN: THIRATA '99/07/31 CHK: MSASAO '99/07/31 APPR: HIKESUGI '99/07/31	REVISED EC NO. JD00137 DRWN: THIRATA '99/07/31 CHK: MSASAO '99/07/31 APPR: HIKESUGI '99/07/31	RELEASED EC NO. JD90360 DRWN: THIRATA '98/09/08 CHK: MSASAO '98/09/08 APPR: HIKESUGI '98/09/08	MATERIAL 材料	GENERAL TOLERANCES: (UNLESS SPECIFIED) 一般公差	SCALE 2 - 1	DESIGN UNITS <input checked="" type="checkbox"/> mm <input type="checkbox"/> INCH	THIRD ANGLE PROJECTION	TITLE: CF CARD CONN. EJECT MECHANISM (TYPE I/II, NORMAL)	SHEET NO. 1 OF 3
EC NO. DRWN: CHK: APPR:	EC NO. JD00137 DRWN: THIRATA '99/07/31 CHK: MSASAO '99/07/31 APPR: HIKESUGI '99/07/31	EC NO. JD00137 DRWN: THIRATA '99/07/31 CHK: MSASAO '99/07/31 APPR: HIKESUGI '99/07/31	EC NO. JD00137 DRWN: THIRATA '99/07/31 CHK: MSASAO '99/07/31 APPR: HIKESUGI '99/07/31	FINISH 仕上り	10 UNDER 未満	+0.2	DRAWN BY & DATE T. Kivata '98/09/08	<input type="checkbox"/> mm <input type="checkbox"/> INCH <input checked="" type="checkbox"/> mm ONLY		
EC NO. DRWN: CHK: APPR:	EC NO. JD00137 DRWN: THIRATA '99/07/31 CHK: MSASAO '99/07/31 APPR: HIKESUGI '99/07/31	EC NO. JD00137 DRWN: THIRATA '99/07/31 CHK: MSASAO '99/07/31 APPR: HIKESUGI '99/07/31	EC NO. JD00137 DRWN: THIRATA '99/07/31 CHK: MSASAO '99/07/31 APPR: HIKESUGI '99/07/31	WIRE RANGE 適用電線範囲	10 OVER 以上 30 未満	+0.25	CHECKED BY & DATE H. Saito '98/09/08	<input type="checkbox"/> mm <input type="checkbox"/> INCH <input checked="" type="checkbox"/> mm ONLY		
EC NO. DRWN: CHK: APPR:	EC NO. JD00137 DRWN: THIRATA '99/07/31 CHK: MSASAO '99/07/31 APPR: HIKESUGI '99/07/31	EC NO. JD00137 DRWN: THIRATA '99/07/31 CHK: MSASAO '99/07/31 APPR: HIKESUGI '99/07/31	EC NO. JD00137 DRWN: THIRATA '99/07/31 CHK: MSASAO '99/07/31 APPR: HIKESUGI '99/07/31	INS. RANGE 被覆外径	30 OVER 以上	+0.3	APPROVED BY & DATE S. Hasegawa '98/09/08	<input type="checkbox"/> mm <input type="checkbox"/> INCH <input checked="" type="checkbox"/> mm ONLY		
EC NO. DRWN: CHK: APPR:	EC NO. JD00137 DRWN: THIRATA '99/07/31 CHK: MSASAO '99/07/31 APPR: HIKESUGI '99/07/31	EC NO. JD00137 DRWN: THIRATA '99/07/31 CHK: MSASAO '99/07/31 APPR: HIKESUGI '99/07/31	EC NO. JD00137 DRWN: THIRATA '99/07/31 CHK: MSASAO '99/07/31 APPR: HIKESUGI '99/07/31	DESCRIPTION	ANGLE 角度	+3°	CAD FILENAME 55364003.S01	MATERIAL NO. SEE TABLE	DRAWING NO. SD-55364-003	SIZE B

EN-02(J1097) MXJ-54

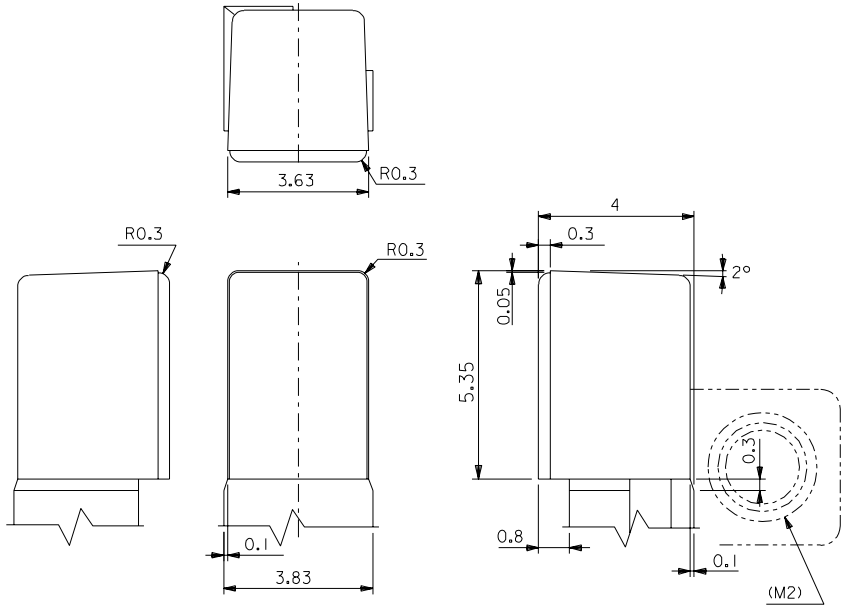


この図はすべて絶対寸法です。

基板推奨寸法  
RECOMMENDED P.C.B. LAYOUT

DO NOT SCALE DRAWING	EC NO. DRWN: CHK: APPR:	EC NO. DRWN: CHK: APPR:	EC NO. DRWN: CHK: APPR:	EC NO. DRWN: CHK: APPR:	EC NO. DRWN: CHK: APPR:	APPR. SEE SHEET 1 OF 3	MATERIAL 材料	GENERAL TOLERANCES: (UNLESS SPECIFIED) 一般公差	SCALE 2 - 1	DESIGN UNITS <input checked="" type="checkbox"/> mm <input type="checkbox"/> INCH	THIRD ANGLE PROJECTION	DIMENSIONS: <input type="checkbox"/> mm <input type="checkbox"/> INCH <input checked="" type="checkbox"/> mm ONLY	SHT	REV
							FINISH 仕上げ	10 UNDER 未満	+0.2	DRAWN BY & DATE <i>T. Kiyata</i> '98/09/08	TITLE: CF CARD CONN. EJECT MECHANISM (TYPE I/II, NORMAL)			
							WIRE RANGE 適用電線範囲	10 OVER 以上 30 UNDER 未満	+0.25	CHECKED BY & DATE <i>H. Saito</i> '98/09/08	MOLEX INCORPORATED			
							INS. RANGE 被覆外径	30 OVER 以上	+0.3	APPROVED BY & DATE <i>sp. (Signature)</i> '98/09/08	CAD FILENAME 55364003.S02	MATERIAL NO. -	DRAWING NO. SD-55364-003	SHEET NO. 2
8	7	6	5	4	3	2	THIS DRAWING CONTAINS INFORMATION THAT IS PROPRIETARY TO MOLEX INCORPORATED AND SHOULD NOT BE USED WITHOUT WRITTEN PERMISSION.							
												EN-02(J097) MXJ-54		

DWG. NO. SD-55364-003



ボタン詳細寸法  
DETAIL OF BUTTON

DO NOT SCALE DRAWING	EC NO. DRWN: CHK: APPR:	EC NO. DRWN: CHK: APPR:	EC NO. DRWN: CHK: APPR:	EC NO. DRWN: CHK: APPR:	EC NO. DRWN: CHK: APPR:	REV DESCRIPTION	MATERIAL 材料	GENERAL TOLERANCES: (UNLESS SPECIFIED) 一般公差	SCALE 10-1	DESIGN UNITS <input checked="" type="checkbox"/> mm <input type="checkbox"/> INCH	THIRD ANGLE PROJECTION	DIMENSIONS: <input type="checkbox"/> mm <input type="checkbox"/> INCH <input checked="" type="checkbox"/> mm ONLY	SHT REV
							FINISH 仕上り	10 UNDER 未満	+0.2	DRAWN BY & DATE <i>T. Kiata</i> '98/09/08	TITLE: CF CARD CONN. EJECT MECHANISM (TYPE I/II, NORMAL)		
							WIRE RANGE 適用電線範囲	10 OVER 以上 30 UNDER 未満	+0.25	CHECKED BY & DATE <i>H. Saito</i> '98/09/08	MOLEX INCORPORATED		
							INS. RANGE 被覆外径	30 OVER 以上	+0.3	APPROVED BY & DATE <i>sp. (imp)</i> '98/09/08	MATERIAL NO.	DRAWING NO. SD-55364-003	SHEET NO. 3
								ANGLE 角度	+3°	CAD FILENAME 55364003.S03			SIZE B

THIS DRAWING CONTAINS INFORMATION THAT IS PROPRIETARY TO MOLEX INCORPORATED AND SHOULD NOT BE USED WITHOUT WRITTEN PERMISSION.

EN-02(J1097) MXJ-54