

SEMI-HARD TRAY PACKAGE	55359-5027
SOFT TRAY PACKAGE	55359-5029
PACKING TRAY FORM	MATERIAL No.

DO NOT SCALE DRAWING	EC NO.	DRWN:	CHK:	APPR:	RELEASED 04/03/22 EC NO. J2004-3249 DRWN: Y.SAKIYAMA CHK: M.SASAO APPR: M.SASAO	MATERIAL 材料 SHEET 2 OF 2 参照 REFER TO SHEET 2 OF 2	GENERAL TOLERANCES: (UNLESS SPECIFIED) 一般公差	SCALE —	DESIGN UNITS <input checked="" type="checkbox"/> mm <input type="checkbox"/> INCH	THIRD ANGLE PROJECTION	DIMENSIONS: <input type="checkbox"/> mm <input type="checkbox"/> INCH <input checked="" type="checkbox"/> mm ONLY	SHT REV	REVISE ON CAD ONLY
	EC NO.	DRWN:	CHK:	APPR:									
8	EC NO.	DRWN:	CHK:	APPR:	0	WIRE RANGE 適用電線範囲 —	10 OVER 以上	30 UNDER 未満	+0.25	CHECKED BY & DATE H. Sasaki 04/03/22	MATERIAL NO. SEE CHART	DRAWING NO. SD-55359-015	SHEET NO. 1 OF 2
7	EC NO.	DRWN:	CHK:	APPR:									
6	REV	DESCRIPTION		ANGLE 角度	+3°	THIS DRAWING CONTAINS INFORMATION THAT IS PROPRIETARY TO MOLEX INCORPORATED AND SHOULD NOT BE USED WITHOUT WRITTEN PERMISSION.		MATERIAL NO. SEE CHART		DRAWING NO. SD-55359-015	SHEET NO. 1 OF 2	SIZE B	
5	EN-02J(097) MXJ-54												

DWG. NO. SD-55359-015

注) 1. 材質 MATERIAL  
 ハウジング: ガラス入りLCP UL 94V-0  
 HOUSING: LIQUID CRYSTAL POLYMER G.F. UL94V-0  
 ピン: リン青銅  
 PIN: PHOSPHOR BRONZE  
 ネール: リン青銅 (t0.3)  
 NAIL: PHOSPHOR BRONZE (t0.3)  
 リヤネール: リン青銅 (t0.48)  
 REAR-NAIL: PHOSPHOR BRONZE (t0.48)

2. メッキ仕様 PLATING  
 ピン  
 接点部: パラジウムニッケル下地、金メッキ  
 CONTACT AREA: GOLD OVER PALLADIUM-NICKEL PLATING  
 半田付け部: 錫メッキ  
 SOLDER TAIL AREA: TIN PLATING  
 下地メッキ: ニッケルメッキ  
 UNDER PLATING: NICKEL ALL OVER PLATING  
 ネール  
 接点部: 金メッキ  
 CONTACT AREA: GOLD PLATING  
 半田付け部: 錫メッキ  
 SOLDER TAIL AREA: TIN PLATING  
 下地メッキ: ニッケルメッキ  
 UNDER PLATING: NICKEL ALL OVER PLATING  
 リヤネール  
 錫メッキ  
 REAR-NAIL TIN PLATING  
 下地メッキ: ニッケルメッキ  
 UNDER PLATING: NICKEL ALL OVER PLATING

3. 推奨基板厚: t=0.8 MIN.  
 RECOMMENDED P.C.B. THICKNESS: t=0.8 MIN.

4. 適合カード厚  
 RECOMMENDED CARD THICKNESS  
 接続部: 3.3±0.1  
 CONNECTING AREA: 3.3±0.1

5. 適合カード幅: 42.8±0.1  
 RECOMMENDED CARD WIDTH: 42.8±0.1

6. ハウジング色: 黒  
 HOUSING COLOR: BLACK

△ 寸法適用極: 1,13,38,50  
 THIS DIMENSION APPLIES TO CIRCUIT NUMBERS 1,13,38 AND 50.

△ 寸法適用極: 25,26  
 THIS DIMENSION APPLIES TO CIRCUIT NUMBERS 25 AND 26.

△ ピンの倒れは、ピン根元を基準に全方向へ0.1 MAX.とする。  
 PIN TIP LEAN TOWARD ANY DIRECTION NOT TO EXCEED 0.1 WHEN MEASURED FROM PIN BASE.

△ ピン根元に適用する。  
 THIS DIMENSION TO BE MEASURED AT PIN BASE.

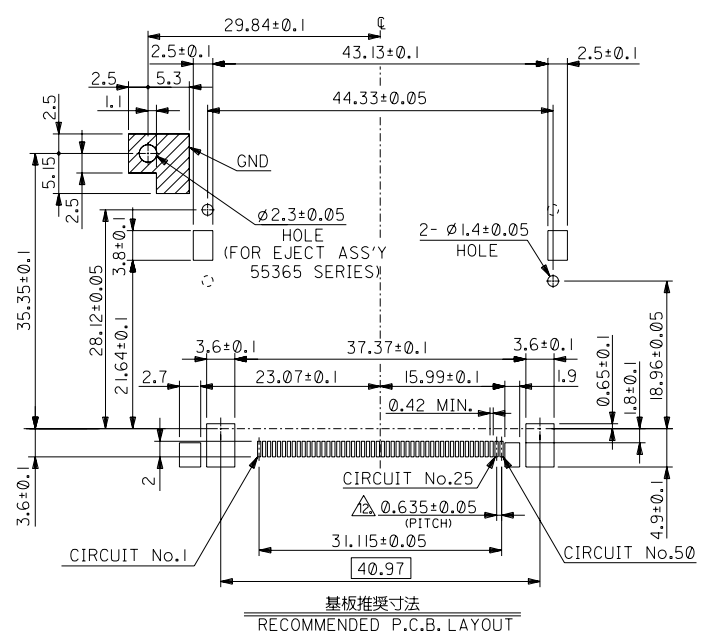
△ ソルダータールは、Z面を基準とし上へ0.05下へ0.1の範囲にあり、目づソルダータールの平坦度は、0.1 MAX.とし、テール先端にて測定する。  
 SOLDER TAILS TO BE WITHIN 0.05 UPWARD AND 0.1 DOWNWARD FROM Z-DATUM PLACE, AND COPLANARITY OF SOLDER TAILS TO BE WITHIN 0.1. MEASUREMENT POINT IS SOLDER TAILS TIP.

△ 公差非累積  
 NON-CUMULATIVE

△ テールとネール、リヤネールを併せた平坦度は、0.1 MAX.とする。  
 TOTAL COPLANARITY OF SOLDER TAILS, NAILS AND REAR-NAILS TO BE 0.1 MAX.

14. 鉛フリー対応表  
 CORRESPONDENCE TABLE OF LEAD FREE

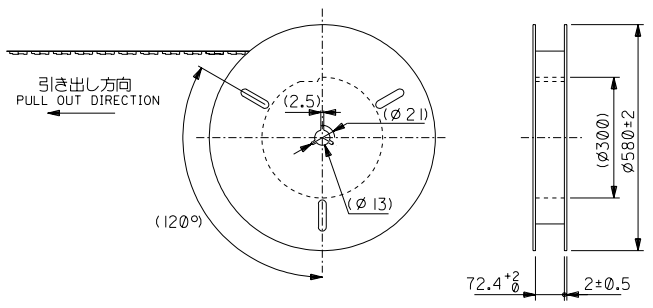
	SEMI-HARD TRAY PKG	SOFT TRAY PKG
半田品 LEAD CONTENT	55359 -5026	55359 -5021
鉛フリー品 LEAD FREE	55359 -5027	55359 -5029



基板推奨寸法  
 RECOMMENDED P.C.B. LAYOUT

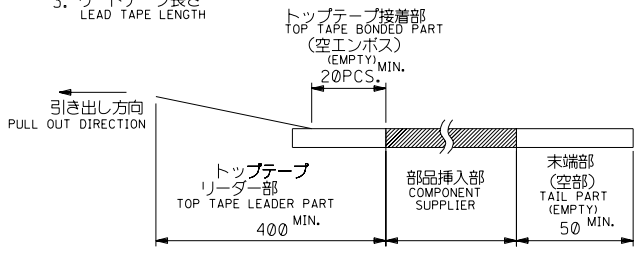
DO NOT SCALE DRAWING		RELEASED: 04/03/22 EC NO. J2004-3249 DRWN: Y.SAKIYAMA CHK: M.SASAO APPR: M.SASAO		MATERIAL 材料 注記参照 SEE NOTES		GENERAL TOLERANCES: (UNLESS SPECIFIED) 一般公差		SCALE 1:1		DESIGN UNITS <input checked="" type="checkbox"/> mm <input type="checkbox"/> INCH		DIMENSIONS: <input type="checkbox"/> mm <input type="checkbox"/> INCH <input checked="" type="checkbox"/> mm ONLY		SHT REVISE ON CAD ONLY	
EC NO. DRWN: CHK: APPR:		EC NO. DRWN: CHK: APPR:		FINISH 仕上り 注記参照 SEE NOTES		10 UNDER 未満 +0.2		DRAWN BY & DATE Y.Sakiyama 04/03/22		TITLE: CF CARD CONN. 50P HEADER ASS'Y (TYPE I/II, REVERSE) -LEAD FREE-		MATERIAL NO. SD-55359-015.S02		MATERIAL NO. SD-55359-015	
EC NO. DRWN: CHK: APPR:		EC NO. DRWN: CHK: APPR:		WIRE RANGE 適用電線範囲		10 OVER 以上 +0.25		CHECKED BY & DATE H. Satao 04/03/22		MATERIAL NO. SD-55359-015.S02		DRAWING NO. SD-55359-015		SHEET NO. 2 OF 2	
EC NO. DRWN: CHK: APPR:		EC NO. DRWN: CHK: APPR:		INS. RANGE 被覆外径		30 OVER 以上 +0.3		APPROVED BY & DATE H. Satao 04/03/22		MATERIAL NO. SD-55359-015.S02		DRAWING NO. SD-55359-015		SIZE B	
EC NO. DRWN: CHK: APPR:		EC NO. DRWN: CHK: APPR:		REV 変更		ANGLE 角度 ±3°		CAD FILENAME SD-55359-015.S02		MATERIAL NO. SD-55359-015.S02		DRAWING NO. SD-55359-015		EN-02J(097) MXJ-54	

DWG. NO. SD-55359-016



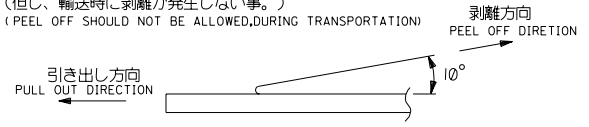
注)  
NOTES

- 製品番号 55359-5029の詳細寸法については、SD-55359-015 を参照下さい。  
IN THE PACKAGE, PART NO. 55359-5029 DETAILED DIMENSIONS, SEE SD-55359-015.
- 梱包数量 : 300 個/リール  
NUMBER OF CONNECTORS : 300 PCS/REEL
- リードテープ長さ  
LEAD TAPE LENGTH



- トップテープの剥離強度 : (剥離方向は下図参照)  
PEELING OFF FORCE OF TOP TAPE (PEELING DIRECTION AS SHOWN IN FOLLOWING FIG.)  
0.1~1.3N {10~130gf} : キャリアテープ幅 72mm  
CARRIER TAPE WIDTH 72mm

尚、本規格値は、出荷時に適用。  
THIS REQUIREMENT SHOULD BE APPLIED AT SHIPMENT  
(但し、輸送時に剥離が発生しない事。)  
(PEEL OFF SHOULD NOT BE ALLOWED, DURING TRANSPORTATION)



- 材料  
MATERIAL  
キャリアテープ : ポリプロピレン (PP)  
CARRIER TAPE : POLYPROPYLENE (PP)  
トップテープ : PET, PE, PEF  
TOP TAPE : PET, PE, PEF  
リール : 紙  
REEL : CARD BOARD
- 本製品は 55359-5028 の鉛フリー品である。  
THIS PRODUCT IS LEAD FREE OF 55359-5028.

55359-5078  
MATERIAL NO.

DO NOT SCALE DRAWING

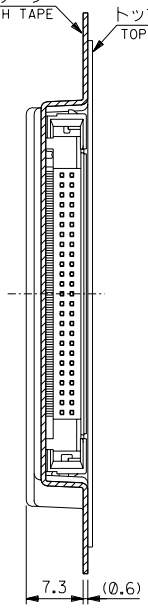
EC NO. DRWN: CHK'g: APPR:		EC NO. DRWN: CHK'g: APPR:		EC NO. DRWN: CHK'g: APPR:		EC NO. DRWN: CHK'g: APPR:		EC NO. DRWN: CHK'g: APPR:		RELEASED 04/03/22 EC NO. J2004-3249 DRWN: Y.SAKIYAMA CHK'g: M.SASAO APPR: M.SASAO	MATERIAL 材料 注記参照 SEE NOTES	GENERAL TOLERANCES: (UNLESS SPECIFIED) 一般公差	SCALE 10 UNDER 10 OVER 30 UNDER 30 OVER 以上	DESIGN UNITS mm INCH	MODEL NO. THIRD ANGLE PROJECTION	DIMENSIONS: mm INCH mm INCH	SHT REVISE ON CAD ONLY	REV
										FINISH 仕上り	WIRE RANGE 適用電線範囲	INS. RANGE 被覆外径	ANGLE 角度	DRAWN BY & DATE Y.Sakiyama 04/03/22	TITLE: EMBSTP PKG FOR CF CARD CONN. 50P HEADER ASSY -LEAD FREE-	MOLEX INCORPORATED		
										REV				CAD FILENAME SD-55359-016.S01	MATERIAL NO. SEE CHART	DRAWING NO. SD-55359-016	SHEET NO. 1 OF 2	SIZE B

EN-02J(097) MXJ-54

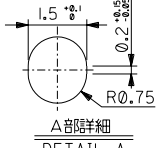
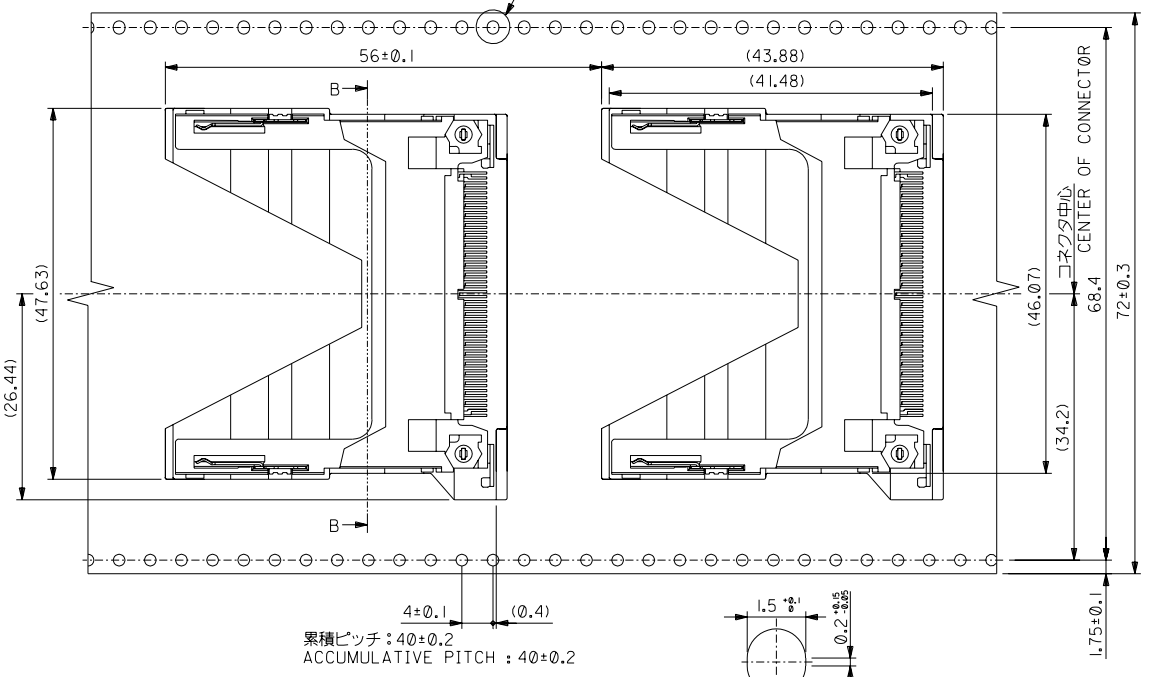
DWG. NO.  
SD-55359-016

72巾テープ  
72 WIDTH TAPE  
トップテープ  
TOP TAPE

引き出し方向  
PULL OUT DIRECTION



断面 B-B  
SECTION B-B



DO NOT SCALE DRAWING

EC NO. DRWN: CHK'G: APPR:	EC NO. DRWN: CHK'G: APPR:	EC NO. DRWN: CHK'G: APPR:	EC NO. DRWN: CHK'G: APPR:	EC NO. DRWN: CHK'G: APPR:

RELEASED 04/03/22  
EC NO. J2004-3249  
DRWN: Y.SAKIYAMA  
CHK'G: M.SASAO  
APPR: M.SASAO

MATERIAL 材料 SHEET 1 OF 2 参照 REFER TO SHEET 1 OF 2	FINISH 仕上り //	WIRE RANGE 適用電線範囲 //	INS. RANGE 被覆外径 //
--	---------------------	----------------------------	--------------------------

GENERAL TOLERANCES: (UNLESS SPECIFIED) 一般公差	
10 UNDER 未満	±0.2
10 OVER 以上	±0.25
30 UNDER 未満	±0.25
30 OVER 以上	±0.3
ANGLE 角度	±3°

55359-***78		MODEL NO.	DIMENSIONS:		SHT	REV
SCALE	DESIGN UNITS	THIRD ANGLE PROJECTION		<input type="checkbox"/> mm	<input type="checkbox"/> INCH	REVISE ON CAD ONLY
<input checked="" type="checkbox"/> mm	<input type="checkbox"/> INCH			<input type="checkbox"/> ONLY	<input type="checkbox"/>	
DRAWN BY & DATE <i>Y. Sakiyama</i> 04/03/22		TITLE: EMBSTP PKG FOR CF CARD CONN. 50P HEADER ASSY - LEAD FREE-				
CHECKED BY & DATE <i>H. Sato</i> 04/03/22		MOLEX INCORPORATED				
APPROVED BY & DATE <i>H. Sato</i> 04/03/22						
CAD FILENAME SD-55359-016.S02	MATERIAL NO. SEE CHART	DRAWING NO. SD-55359-016	SHEET NO. 2 OF 2	SIZE B		
THIS DRAWING CONTAINS INFORMATION THAT IS PROPRIETARY TO MOLEX INCORPORATED AND SHOULD NOT BE USED WITHOUT WRITTEN PERMISSION.						
EN-02J(097) MXJ-54						