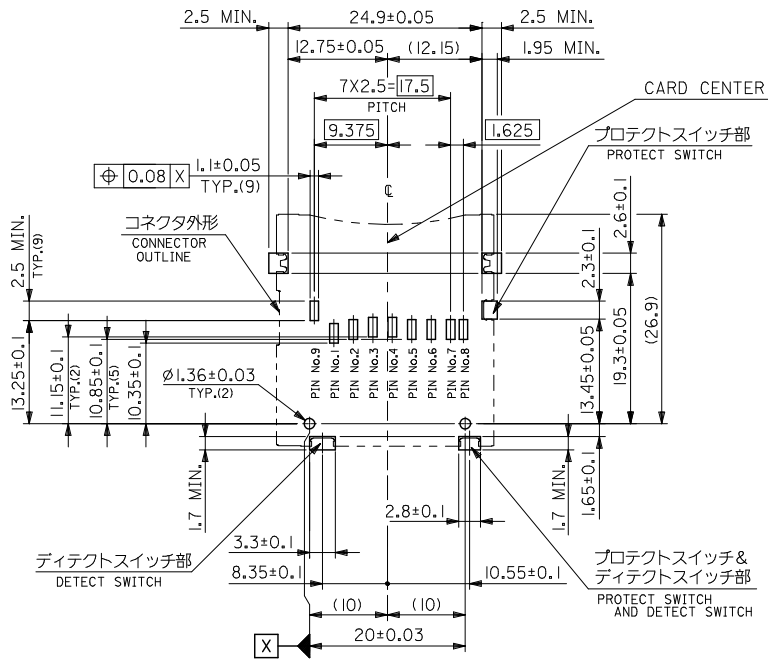
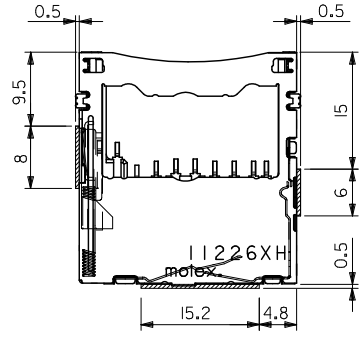




10 9 8 7 6 5 4 3 2 1



推奨基板寸法  
RECOMMENDED PCB PATTERN LAYOUT

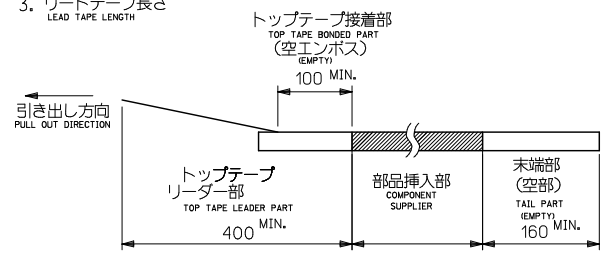


部品実装禁止エリア  
AREA OF PARTS MOUNTING PROHIBITION

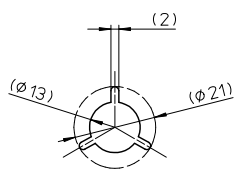
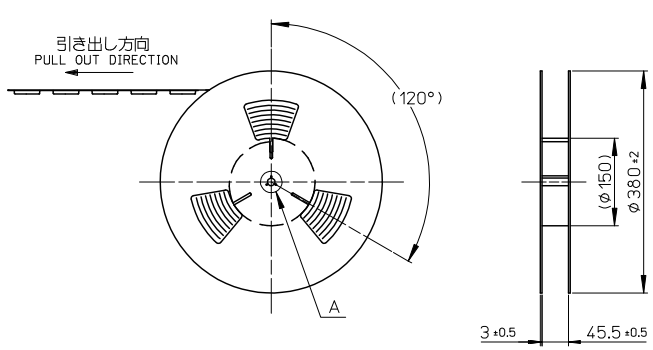
<b>REVISED</b> EEC NO: J2007-1866 DRAWN BY: IRYUNHABEI CHECKED BY: CHYKOKUYODA APPROVED BY: APPR:NUKITA DATE: 2007/01/17 DATE: 2007/01/25 DATE: 2007/01/25	GENERAL TOLERANCES (UNLESS SPECIFIED)		DIMENSION STYLE	SCALE	DESIGN UNITS	THIRD ANGLE PROJECTION	
			MM ONLY	2:1	METRIC		
	10 UNDER	±0.2	DRAWN BY	DATE	TITLE		
	10 OVER 30 UNDER	±0.25	YSUGIURA	2004/12/07	SD CARD CONN. ASS'Y (NOMAL TYPE) - LEAD FREE -		
30 OVER	±0.3	CHECKED BY	DATE	MOLEX INCORPORATED			
ANGULAR	±3 °	MTANAKA	2004/12/07	MATERIAL NO.		SHEET NO.	
DRAFT WHERE APPLICABLE MUST REMAIN WITHIN DIMENSIONS		APPROVED BY	DATE	DOCUMENT NO.		2 OF 2	
		NUKITA	2004/12/07	SD-500998-001			
		SEE SHEET 1 OF 2		THIS DRAWING CONTAINS INFORMATION THAT IS PROPRIETARY TO MOLEX INCORPORATED AND SHOULD NOT BE USED WITHOUT WRITTEN PERMISSION			

注)  
NOTES

- 製品番号 500998-0909 の詳細寸法については、SD 図面を参照下さい。  
IN THE PACKAGE, PART NO. 500998-0909 DETAILED DIMENSIONS, SEE SALES DRAWING.
- 梱包数量 : 400 個/リール  
NUMBER OF CONNECTORS : 400 PCS/REEL
- リードテープ長さ  
LEAD TAPE LENGTH



- 材料  
MATERIAL  
キャリアテープ : ポリプロピレン (PP)  
CARRIER TAPE : POLYPROPYLENE (PP)  
トッパテープ : PET, PE, PEF  
TOP TAPE : PET, PE, PEF  
リール : 紙/プラスチック  
REEL : CARD BOARD/PLASTIC

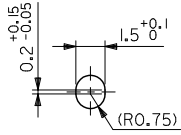


DETAIL A  
SCALE 1:1

500998-0900 500998-\*\*\*\*  
MATERIAL No. MODEL No.

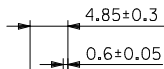
REVISED EC NO: J2006-3331 DRAWN: TAKEMOTO 2006/04/25 CHKD: TANAKA 2006/04/26 APPR: NUKITA 2006/05/01	GENERAL TOLERANCES (UNLESS SPECIFIED)		DIMENSION STYLE MM ONLY	SCALE ---	DESIGN UNITS METRIC	THIRD ANGLE PROJECTION
	10 UNDER	±0.2	DRAWN BY YSUGIURA	DATE 2004/12/10	TITLE EMBOSS TAPE PACKAGE FOR 500998-0909 - LEAD FREE -	
	10 OVER 30 UNDER	±0.25	CHECKED BY MTANAKA	DATE 2004/12/10	MOLEX INCORPORATED	
	30 OVER	±0.3	APPROVED BY NUKITA	DATE 2004/12/10	DOCUMENT NO. SD-500998-007	SHEET NO. 1 OF 2
	ANGULAR ±3 °	DRAFT WHERE APPLICABLE MUST REMAIN WITHIN DIMENSIONS	MATERIAL NO. SEE CHART			
			SIZE A3	THIS DRAWING CONTAINS INFORMATION THAT IS PROPRIETARY TO MOLEX INCORPORATED AND SHOULD NOT BE USED WITHOUT WRITTEN PERMISSION		

10 9 8 7 6 5 4 3 2 1



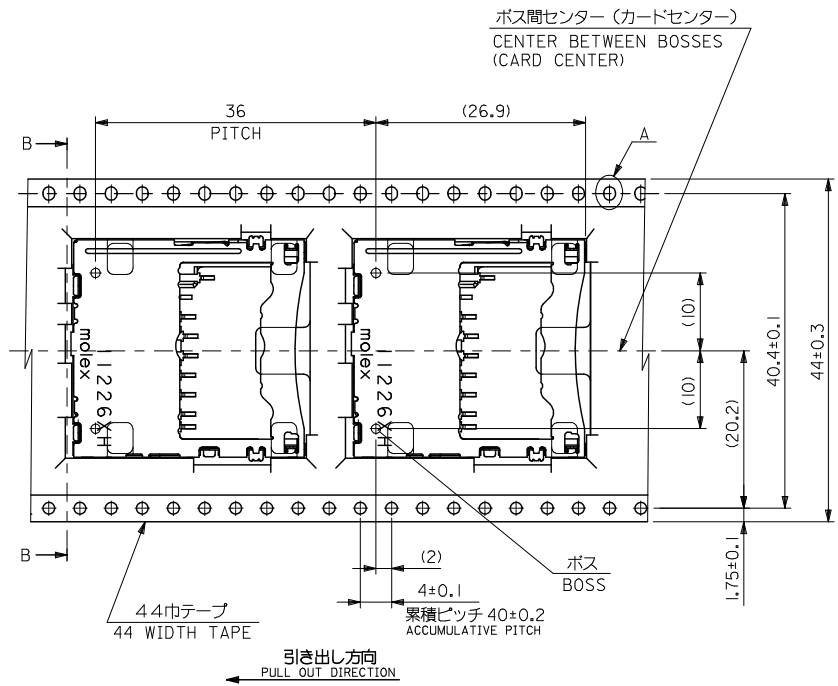
DETAIL A  
(5-1)

500998-0909  
CONN. ASS'Y



SECTION B-B

トップテープ  
TOP TAPE



引き出し方向  
PULL OUT DIRECTION

REVISED EEC NO: J2006-3331 DRAWN: TAKEMOTO 2006/04/25 CHECKED BY: CHYKUMITANAKA 2006/04/26 APPROVED BY: NUKITA 2006/05/01	GENERAL TOLERANCES (UNLESS SPECIFIED)		DIMENSION STYLE MM ONLY		SCALE ---	DESIGN UNITS METRIC	THIRD ANGLE PROJECTION
	10 UNDER	±0.2	DRAWN BY YSUGIURA	DATE 2004/12/10	TITLE EMBOSS TAPE PACKAGE FOR 500998-0909 - LEAD FREE -		
	10 OVER 30 UNDER	±0.25	CHECKED BY MTANAKA	DATE 2004/12/10	MOLEX INCORPORATED		
	30 OVER	±0.3	APPROVED BY NUKITA	DATE 2004/12/10	MATERIAL NO. SEE SHEET 1 OF 2 DOCUMENT NO. SD-500998-007 SHEET NO. 2 OF 2		
ANGULAR ±3°		DRAFT WHERE APPLICABLE MUST REMAIN WITHIN DIMENSIONS		THIS DRAWING CONTAINS INFORMATION THAT IS PROPRIETARY TO MOLEX INCORPORATED AND SHOULD NOT BE USED WITHOUT WRITTEN PERMISSION			