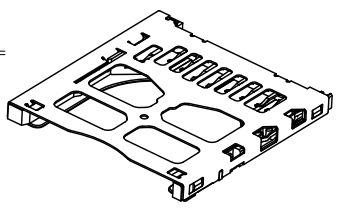
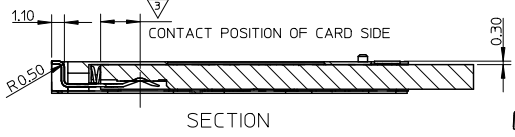
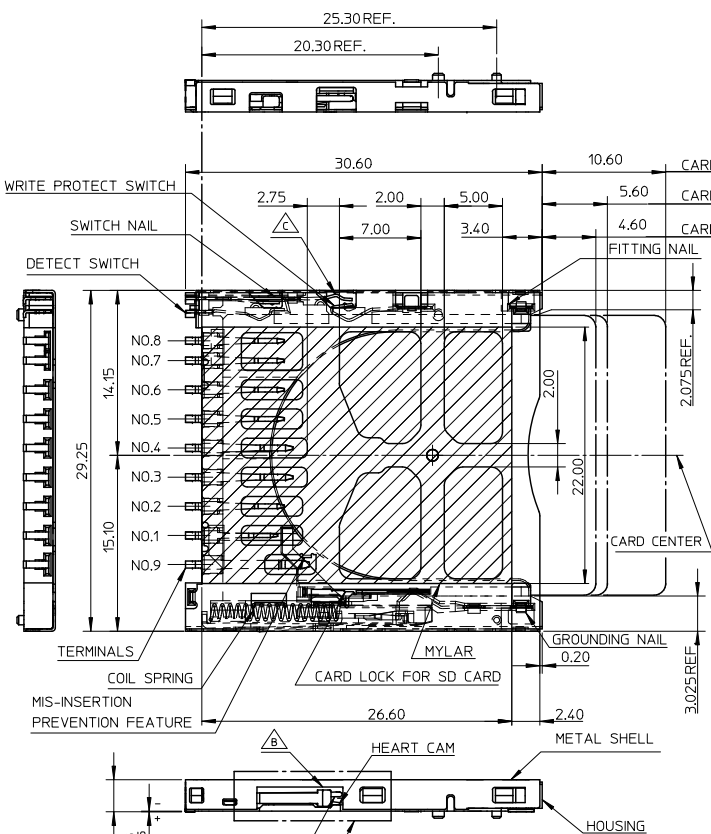


10 9 8 7 6 5 4 3 2 1



- NOTES:
- HOUSING: HIGH TEMPERATURE THERMOPLASTIC. COLOR: BLACK
 - TERMINAL: COPPER ALLOY. SELECTIVE Au PLATING
 - METAL SHELL: STAINLESS STEEL
 - EACH SWITCHES: COPPER ALLOY, SELECTIVE Au PLATING.
 - EACH NAILS: COPPER ALLOY, SELECTIVE AU PLATING.
 - COIL SPRING: STEEL WIRE.
 - CAM PIN: STAINLESS STEEL
 2. TERMINAL AND NAIL COPLANARITY TO BE 0.1 MAX
 3. CONTACT POSITION OF CARD SIDE

TERMINAL NO.	CONTACT POSITION
NO.1	2.4
NO.2,5,6,7,8	2.9
NO.3,4	3.4
NO.9	5.2

4. OPEN/CLOSE OF EACH SWITCH

	PROTECT TERMINAL		DETECT TERMINAL
	WRITE PROTECT POSITION	WRITE ENABLE POSITION	
CARD UNINSERTION	OPEN	OPEN	OPEN
CARD HALF INSERTION	CLOSE	CLOSE	OPEN
CARD INSERTION	OPEN	CLOSE	CLOSE

- WHEN DELIVERING, THE PUSH/PUSH MECHANISM IS IN THE STATE OF THE UNLOCK.(CARD DASHING OUT POSITION)
- CARD READ ONLY BY THE TIME THE CARD DETECTION.
- I/O CONTACTS, BASED ON SD I/O ASSOC. REV.G.

PART NO.	DESCRIPTION	PRODUCT SPECIFICATION	REMARK
67913-0001	TIN-LEAD	PS-67840-001	FOR SD ONLY
67913-0002	LEAD FREE	PS-67913-002	
67913-0003	TIN-LEAD WITH/MYLAR	PS-67840-001	SD/MMC
67913-0006	TIN-LEAD W/O CARD LOCK PIN	PS-67913-003	

MODIFY PACKAGE
 EC NO: SH2011-0064
 DRAWN: JI U39 2010/08/23
 CHKD: JI U39 2010/08/23
 APPROX: JSSNG 2010/08/27

QUALITY SYMBOLS

4 PLACES ± --- ± ---

3 PLACES ± --- ± ---

2 PLACES ± 0.25 ± ---

1 PLACE ± 0.25 ± ---

ANGULAR ± 3°

DRAFT WHERE APPLICABLE MUST REMAIN WITHIN DIMENSIONS

GENERAL TOLERANCES (UNLESS SPECIFIED)

MM ONLY

SCALE 3:1

DESIGN UNITS METRIC

THIRD ANGLE PROJECTION

DRAWN BY MAX DATE 2003/02/13

CHECKED BY WILSON DATE 2003/02/13

APPROVED BY ERICK DATE 2003/02/13

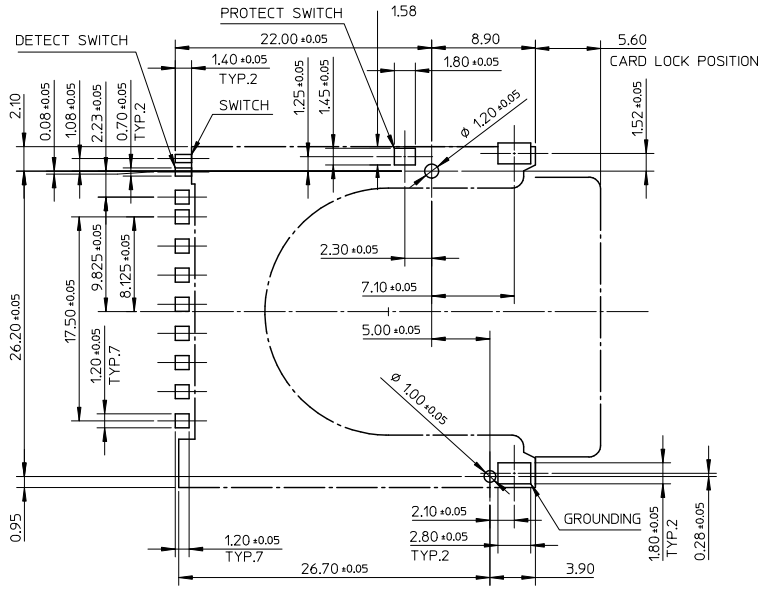
MATERIAL NO. SEE TABLE

DOCUMENT NO. SD-67913-001

SHEET NO. 1 OF 3

THIS DRAWING CONTAINS INFORMATION THAT IS PROPRIETARY TO MOLEX INCORPORATED AND SHOULD NOT BE USED WITHOUT WRITTEN PERMISSION

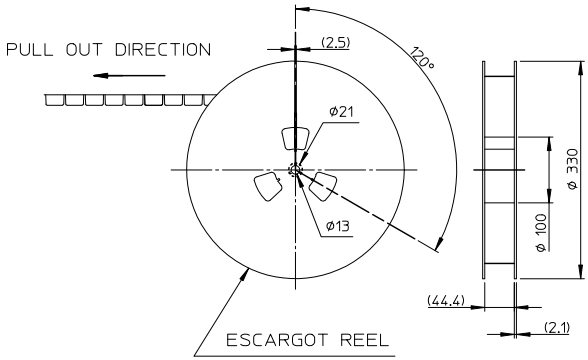
tb_frame_A3_P_AM_T
 Rev. F 2009/06/18



RECOMMENDED P.C.B LAYOUT DIMENSION

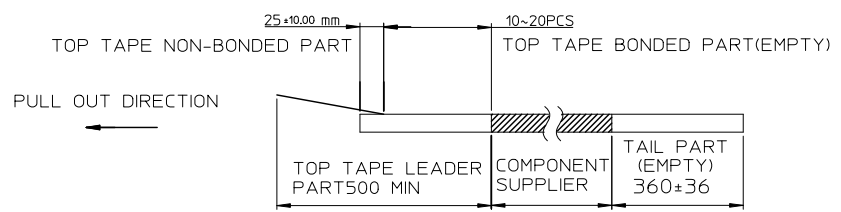
MODIFY PACKAGE EC NO: SH2011-0064 TDRWN: JLU39 2010/08/23 CHKD: JLU39 2010/08/23 APPR: XJSONG 2010/08/27	QUALITY SYMBOLS	GENERAL TOLERANCES (UNLESS SPECIFIED)	DIMENSION STYLE	SCALE	DESIGN UNITS	THIRD ANGLE PROJECTION
	▽=0	mm INCH	MM ONLY	3:1	METRIC	
	▽=0	4 PLACES ± --- ± ---	DRAWN BY DATE	TITLE		
	▽=0	3 PLACES ± --- ± ---	MAX 2003/02/13	SD/IO CARD CONN. REVERSE TYPE WITH PUSH PUSH		
	2 PLACES ± 0.25 ± ---	CHECKED BY DATE	MOLEX INCORPORATED			
	1 PLACE ± 0.25 ± ---	WILSON 2003/02/13	DOCUMENT NO. SHEET NO.			
	ANGULAR ± 3°	APPROVED BY DATE	SD-67913-001 2 OF 3			
		ERICK 2003/02/13	THIS DRAWING CONTAINS INFORMATION THAT IS PROPRIETARY TO MOLEX INCORPORATED AND SHOULD NOT BE USED WITHOUT WRITTEN PERMISSION			
	DRAFT WHERE APPLICABLE MUST REMAIN WITHIN DIMENSIONS	MATERIAL NO.	SEE TABLE			

10 9 8 7 6 5 4 3 2 1

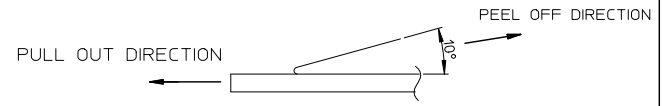


NOTES

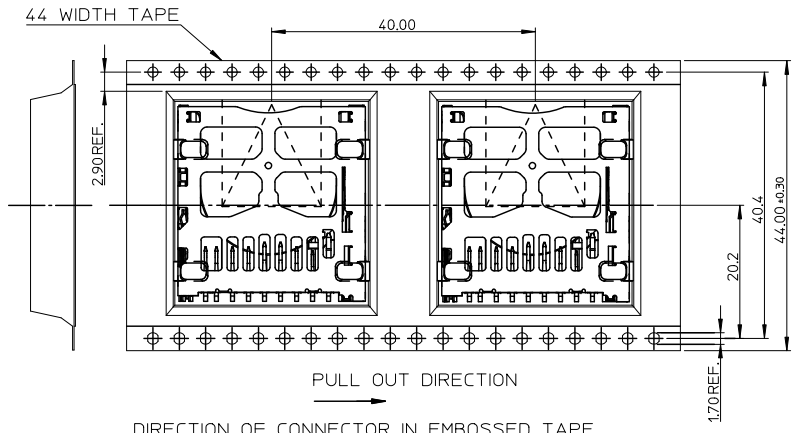
1. NUMBER OF CONNECTORS: 300 PCS/REEL
- 2.



3. PEEL OFF FORCE OF TOP TAPE: 0.1~1.3 N (10.2~130gf)
PEELING DIRECTION AS SHOWN IN FOLLOWING FIG.
(PEEL OFF SPEED: 300mm/min.REF.)



4. PACKAGING DRAWING REFERS TO PK-67913-001.



MODIFY PACKAGE IEC NO: SH2011-0064 T1: DRWN: JL1039 2010/08/23 CHKD: JL1039 2010/08/23 APPR: XJSONG 2010/08/27	QUALITY SYMBOLS ▽=0 ▽=0 ▽=0	GENERAL TOLERANCES (UNLESS SPECIFIED)		DIMENSION STYLE MM ONLY		SCALE 1:1	DESIGN UNITS METRIC	THIRD ANGLE PROJECTION	
			mm	INCH	DRAWN BY MAX	DATE 2003/02/13	TITLE SD/IO CARD CONN. REVERSE TYPE WITH PUSH PUSH		
		4 PLACES	±---	±---	CHECKED BY WILSON	DATE 2003/02/13	MOLEX INCORPORATED		
		3 PLACES	±---	±---	APPROVED BY ERICK	DATE 2003/02/13	DOCUMENT NO. SD-67913-001		
	2 PLACES	±0.25	±---	MATERIAL NO. SEE TABLE		SHEET NO. 3 OF 3			
	1 PLACE	±0.25	±---	DRAFT WHERE APPLICABLE MUST REMAIN WITHIN DIMENSIONS		THIS DRAWING CONTAINS INFORMATION THAT IS PROPRIETARY TO MOLEX INCORPORATED AND SHOULD NOT BE USED WITHOUT WRITTEN PERMISSION			
	ANGULAR		± 3°						

9 8 7 6 5 4 3 2 1