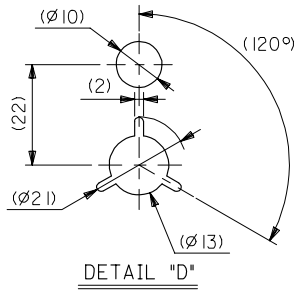
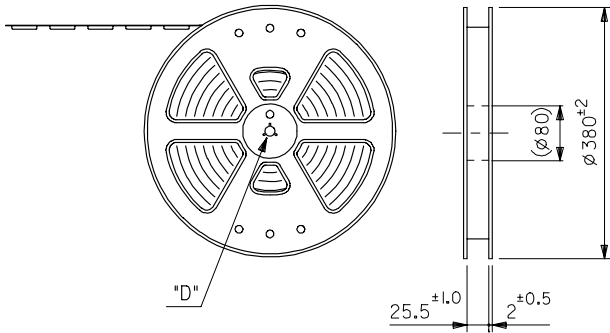


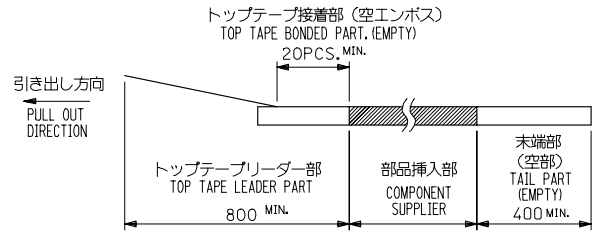
10 9 8 7 6 5 4 3 2 1

引き出し方向
PULL OUT DIRECTION

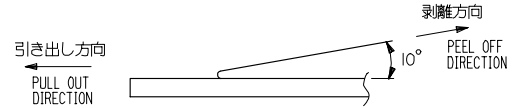


NOTES

1. 製品詳細寸法については、SD図面を参照下さい。
RE DETAILED DIMENSION, SEE SALES DRAWING.
2. 梱包数量：1400 個/リール
NUMBER OF CONNECTORS : 1400PCS/REEL
3. リードテープ長さ LEAD TAPE LENGTH



4. トップテープの剥離強度：0.1N～1.3N (10.2gf～130gf) (剥離方向は下図参照) 尚、本規格値は出荷時に適用。(但し、輸送時に剥離が発生しないこと。)
PEELING OFF FORCE OF TOP TAPE : 0.1N～1.3N (10.2gf～130gf)
(PEELING DIRECTION AS SHOWN IN FOLLOWING FIG.)
THIS REQUIREMENT SHOULD BE APPLIED AT SHIPMENT.
PEEL OFF SHOULD NOT BE ALLOWED ,DURING TRANSPORTATION.

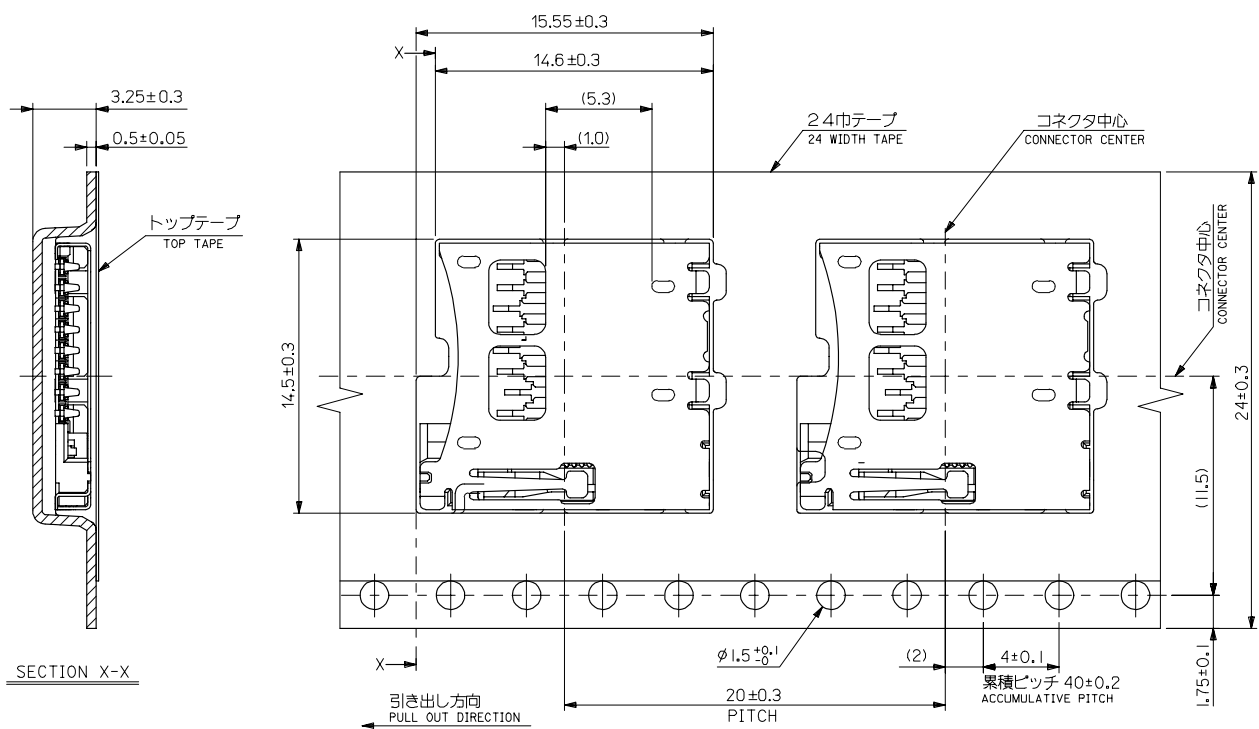


5. 材料 (MATERIAL)

キャリアテープ (CARRIER TAPE) : ポリスチレン (POLYSTYRENE)
トップテープ (TOPTAPE) : PET, PE, PEF
リール (REEL) : ポリスチレン (PS) <リサイクル材を含む>
POLYSTYRENE (PS) <RECYCLE MATERIAL CONTAINED>

500873-0807	500873-0806	500873-08**
CONNECTOR NO.	MATERIAL NO.	MODEL NO.
SCALE ---		DESIGN UNITS METRIC
THIRD ANGLE PROJECTION		

RELEASED EC NO: J2007-0585 DRWN: SHIRUYAMA 2006/08/30 CHKC: 2006/08/31 APPR: Y0110 2006/09/08	GENERAL TOLERANCES (UNLESS SPECIFIED)		DIMENSION STYLE MM ONLY		TITLE TFR CARD CONN. EMBOSSED TAPE PACKAGE MOLEX INCORPORATED DOCUMENT NO. SD-500873-009 SHEET NO. 1 OF 2
	10 UNDER	±0.2	DRAWN BY S. MARUYA	DATE 2006/02/16	
	10 OVER 30 UNDER	±0.25	CHECKED BY S. ICHIKAWA	DATE 2006/02/16	
	30 OVER	±0.3	APPROVED BY S. ICHIKAWA	DATE 2006/02/16	
0	ANGULAR ±3 °	DRAFT WHERE APPLICABLE MUST REMAIN WITHIN DIMENSIONS		MATERIAL NO. 500873-0806 SIZE A3	THIS DRAWING CONTAINS INFORMATION THAT IS PROPRIETARY TO MOLEX INCORPORATED AND SHOULD NOT BE USED WITHOUT WRITTEN PERMISSION



SECTION X-X

RELEASED EC NO: J2007-0585 DRWN: SHIRUYAMA CHKD: 2006/08/31 APPR: Y0110 2006/09/08	GENERAL TOLERANCES (UNLESS SPECIFIED)		DIMENSION STYLE MM ONLY		SCALE ---	DESIGN UNITS METRIC	THIRD ANGLE PROJECTION
	10 UNDER	±0.2	DRAWN BY S. MARUYA	DATE 2006/02/16	TITLE TFR CARD CONN. EMBOSSED TAPE PACKAGE		
	10 OVER 30 UNDER	±0.25	CHECKED BY S. ICHIKAWA	DATE 2006/02/16			
	30 OVER	±0.3	APPROVED BY S. ICHIKAWA	DATE 2006/02/16			
	ANGULAR ±3 °		MATERIAL NO. 500873-0806		DOCUMENT NO. SD-500873-009		SHEET NO. 2 OF 2
DRAFT WHERE APPLICABLE MUST REMAIN WITHIN DIMENSIONS		THIS DRAWING CONTAINS INFORMATION THAT IS PROPRIETARY TO MOLEX INCORPORATED AND SHOULD NOT BE USED WITHOUT WRITTEN PERMISSION					