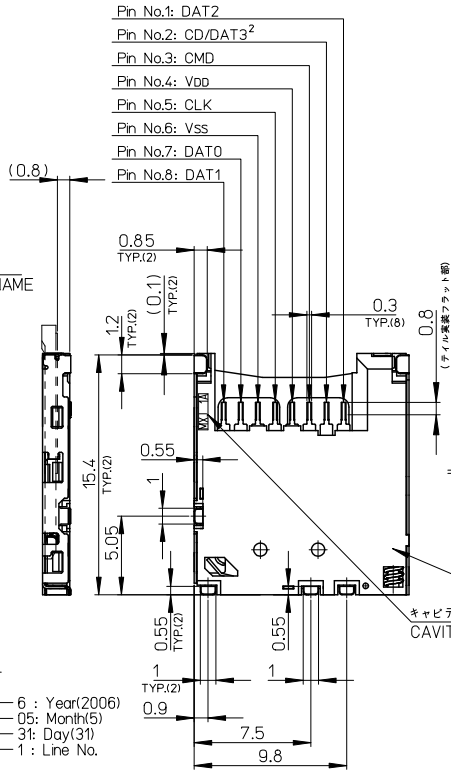
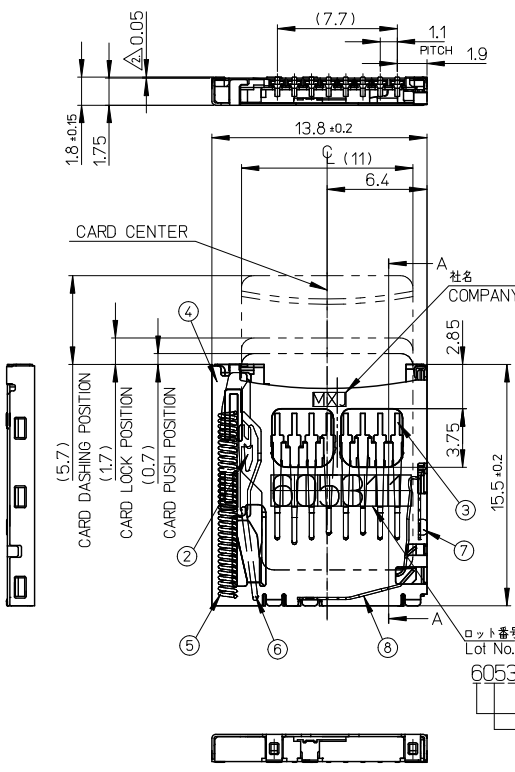


10 9 8 7 6 5 4 3 2 1



番号 NO.	名称 NAME	材料 MATERIAL
①	ハウジング HOUSING	液晶ポリマー (LCP) UL94V-0 LIQUID CRYSTAL POLYMER (LCP) UL94V-0
②	カムスライダ CAM SLIDER	液晶ポリマー (LCP) UL94V-0 LIQUID CRYSTAL POLYMER (LCP) UL94V-0
③	ターミナル TERMINAL	銅合金 接触部: 金めっき 0.5µm MIN. (t=0.2) 封孔処理済 テール部: 錫めっき 2µm MIN. 下地: ニッケルめっき 1µm MIN. COPPER ALLOY, CONTACT AREA: Au(0.5µm MIN.) SEALING DISPOSITION TAIL AREA: Sn (2µm MIN.) UNDER: Ni(1µm MIN.)
④	シェル SHELL	ステンレス鋼 基板実装部: 金めっき 0.02µm MIN. (t=0.15) 下地: ニッケルめっき 0.5µm MIN. STAINLESS STEEL, NAIL AREA: (0.02µm MIN.), UNDER: Ni(0.5µm MIN.)
⑤	スプリング SPRING	ピアノ線 SWP
⑥	ピン PIN	ステンレス鋼 STAINLESS STEEL
⑦	ディテクトレバー DETECT LEVER	銅合金 接触部、テール部: 金めっき 0.2µm MIN. (t=0.15) 下地: ニッケルめっき 1µm MIN. COPPER ALLOY, CONTACT, TAIL AREA: Au(0.2µm MIN.) UNDER: Ni(1µm MIN.)
⑧	ディテクトスイッチ DETECT SWITCH	銅合金 接触部、テール部: 金めっき 0.2µm MIN. (t=0.15) 下地: ニッケルめっき 1µm MIN. COPPER ALLOY, CONTACT, TAIL AREA: Au(0.2µm MIN.) UNDER: Ni(1µm MIN.)

- NOTES
- ターミナル及びネイルの平坦度は 0.1 MAX. TERMINAL AND NAIL COPLANARITY TO BE 0.1 MAX.
  - スタンドオフ寸法 STAND OFF
  - パターン禁止エリア PATTERN PROHIBITION AREA
  - カード検知スイッチ DETECT SWITCH
  - 肉抜き位置は任意とする。CAVITY IS TO BE OPTIONAL.
  - ロット印字は任意とする。LOT NUMBERING IS TO BE OPTIONAL.
  - GND 推奨パターン GND RECOMMENDED PATTERN.
  - ELV 及び RoHS 適合品 ELV AND RoHS COMPLIANT

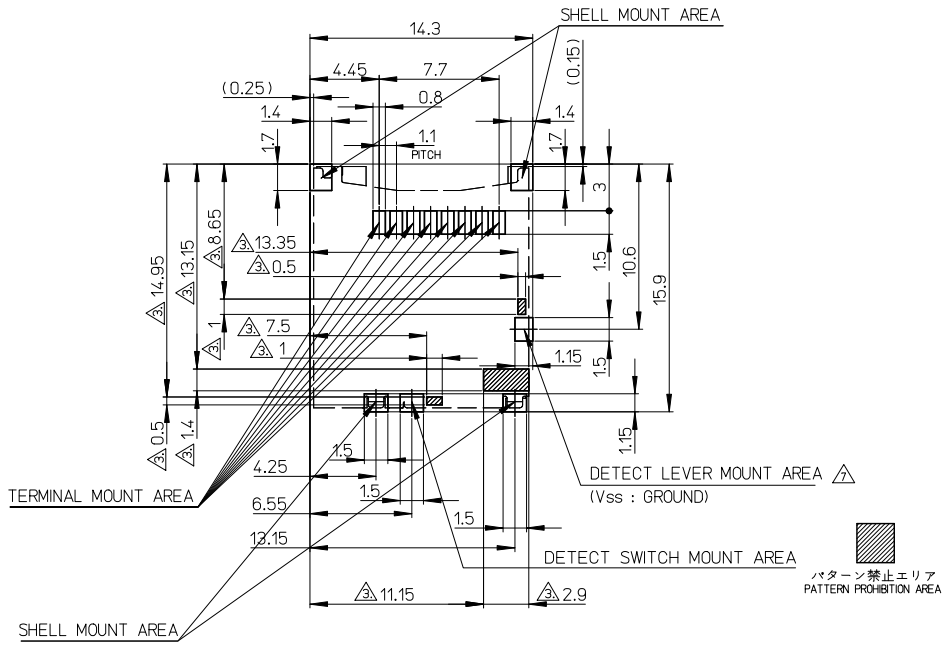
カード挿入時 CARD INSERTING POSITION	クローズ CLOSE
カード未挿入時 NO CARD	オープン OPEN

6 : Year(2006)  
05 : Month(5)  
31 : Day(31)  
1 : Line No.

502570-0893	502570-0831	502570-08**
EMBOSSD TAPE	CONNECTOR ONLY	MODEL NO.
ORDER No. オーダー番号	MATERIAL NO.	

REVISED EC NO: J2009-2308 DRAWN: CARIZONO 2009/04/17 CHKD: HARUYAMA 2009/04/17 APPR: NIKITA 2009/04/20	GENERAL TOLERANCES (UNLESS SPECIFIED)		DIMENSION STYLE MM ONLY	SCALE 4:1	DESIGN UNITS METRIC	THIRD ANGLE PROJECTION
	10 UNDER	±0.2	DRAWN BY YMATSUMOTO	DATE 07/09/10	TITLE MICROSD CARD CONN. (P/P & NORMALSMALL TYPE)	
	10 OVER 30 UNDER	±0.25	CHECKED BY MTOMITA	DATE 07/09/10	MOLEX INCORPORATED	
	30 OVER	±0.3	APPROVED BY MSASAO	DATE 07/09/10	DOCUMENT NO. SD-502570-001	SHEET NO. 1 OF 2
ANGULAR ±1°		MATERIAL NO. SEE TABLE		THIS DRAWING CONTAINS INFORMATION THAT IS PROPRIETARY TO MOLEX INCORPORATED AND SHOULD NOT BE USED WITHOUT WRITTEN PERMISSION		
DRAFT WHERE APPLICABLE MUST REMAIN WITHIN DIMENSIONS						

10 9 8 7 6 5 4 3 2 1



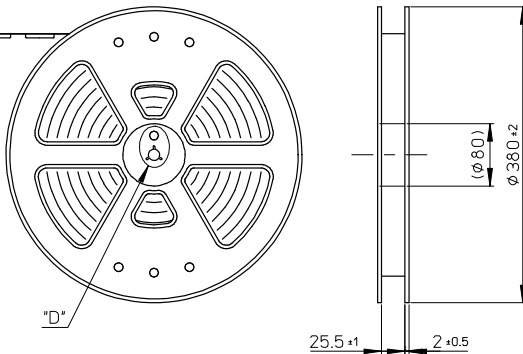
RECOMMENDED  
PCB PATTERN LAYOUT  
(GENERAL TOLERANCE : ±0.05)

REVISED JEC NO: J2009-2308 DRAWN: CARIZONO 2009/04/17 CHECKED: HARUYAMA 2009/04/17 APPROVED: NIKITA 2009/04/20 A	GENERAL TOLERANCES (UNLESS SPECIFIED)		DIMENSION STYLE MM ONLY		SCALE 4:1	DESIGN UNITS METRIC	THIRD ANGLE PROJECTION		
	10 UNDER	±0.2	DRAWN BY YMATSUMOTO		DATE 07/09/10		TITLE MICROSD CARD CONN. (P/P & NORMALSMALL TYPE)		
	10 OVER 30 UNDER	±0.25	CHECKED BY MTOMITA		DATE 07/09/10		MOLEX INCORPORATED		
	30 OVER	±0.3	APPROVED BY MSASAO		DATE 07/09/10				
	ANGULAR ±1 °		MATERIAL NO. SEE SHEET 1		DOCUMENT NO. SD-502570-001		SHEET NO. 2 OF 2		
DRAFT WHERE APPLICABLE MUST REMAIN WITHIN DIMENSIONS		THIS DRAWING CONTAINS INFORMATION THAT IS PROPRIETARY TO MOLEX INCORPORATED AND SHOULD NOT BE USED WITHOUT WRITTEN PERMISSION							

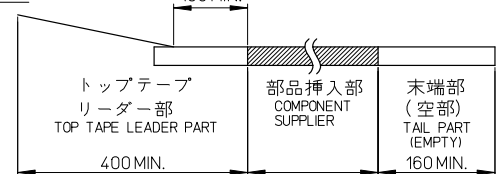
**NOTES**

- 製品詳細寸法については、SD 図面を参照下さい。  
RE DETAILED DIMENSION, SEE SALES DRAWING.
- 梱包数量：1300 個／リール  
NUMBER OF CONNECTORS：1300 PCS/REEL.
- リードテープ長さ LEAD TAPE LENGTH.  
トップテープ接着部 (空エンボス) TOP TAPE BONDED PART (EMPTY)  
100 MIN.  
引き出し方向 PULL OUT DIRECTION
- トップテープの剥離強度：JIS C0806-3に準拠(剥離方向は下図参照)  
尚、本規格値は出荷時に適用。(但し、輸送時に剥離が発生しないこと.)  
PEELING OFF FORCE OF TOP TAPE, BASED UPON JIS C0806-3  
(PEELING DIRECTION AS SHOWN IN FOLLOWING FIG.)  
THIS REQUIREMENT SHOULD BE APPLIED AT SHIPMENT.  
PEEL OFF SHOULD NOT BE ALLOWED, DURING TRANSPORTATION.  
剥離方向 PEEL OFF DIRECTION  
10°  
引き出し方向 PULL OUT DIRECTION
- 材料 MATERIAL  
キャリアテープ (CARRIER TAPE)：ポリスチレン (POLYSTYRENE)  
トップテープ (TOP TAPE)：PET, PE, PEF  
リール (REEL)：ポリスチレン (PS) <リサイクル材含む>  
POLYSTYRENE (PS) <RECYCLE MATERIAL CONTAINED>
- ELV及びRoHS適合品 ELV AND RoHS COMPLIANT

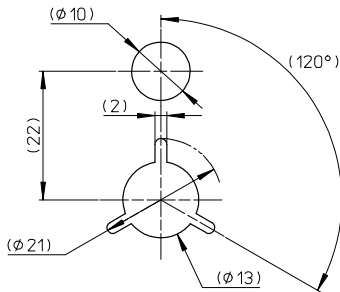
引き出し方向  
PULL OUT DIRECTION



引き出し方向  
PULL OUT DIRECTION



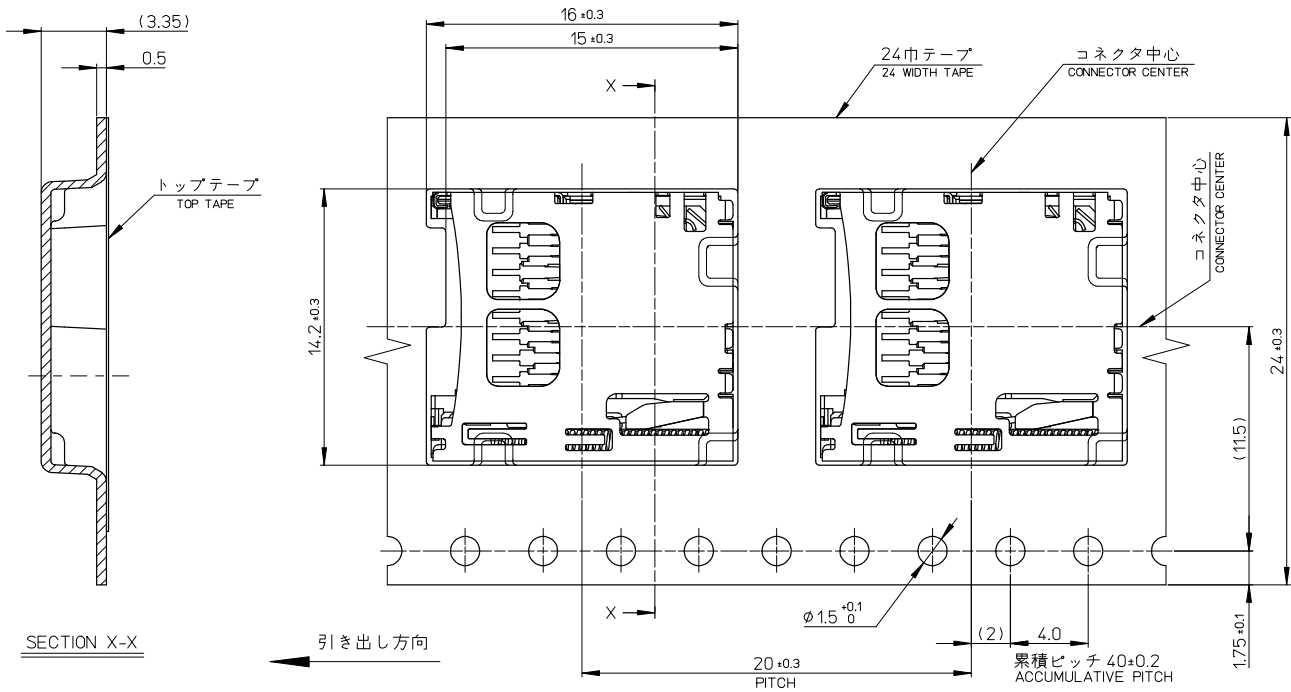
"D"



DETAIL "D"

502570-0831	502570-0893	502570-08**
CONNECTOR	MATERIAL NO.	MODEL NO.

RELEASED EC NO: J2008-3223 DRW: HAYASHI CHK: THAYAMA APPR: NIKITA	GENERAL TOLERANCES (UNLESS SPECIFIED)		DIMENSION STYLE MM ONLY		SCALE 4:1	DESIGN UNITS METRIC	THIRD ANGLE PROJECTION
	10 UNDER	± 0.2	DRAWN BY YMATSUMOTO	DATE 07/09/10	TITLE MICROSD CARD CONN. EMBOSSD TYPE PACKAGE FOR 502570-08**		
	10 OVER 30 UNDER	± 0.25	CHECKED BY MTOMITA	DATE 07/09/10	MOLEX INCORPORATED		
	30 OVER	± 0.3	APPROVED BY MSASAO	DATE 07/09/10	DOCUMENT NO. SD-502570-002		
ANGULAR ± 1 °		DRAFT WHERE APPLICABLE MUST REMAIN WITHIN DIMENSIONS		MATERIAL NO. SEE TABLE		SHEET NO. 1 OF 2	
SIZE A3				THIS DRAWING CONTAINS INFORMATION THAT IS PROPRIETARY TO MOLEX INCORPORATED AND SHOULD NOT BE USED WITHOUT WRITTEN PERMISSION			



RELEASED EC NO: J2008-3223 DRAWN BY: DRWNHYAJIMA CHECKED BY: CHYKD:THARYAMA APPROVED BY: APPRN:NIKITA 2008/03/10 2008/03/11 2008/03/11	GENERAL TOLERANCES (UNLESS SPECIFIED)		DIMENSION STYLE	SCALE	DESIGN UNITS	THIRD ANGLE PROJECTION
	10 UNDER	±0.2	MM ONLY	4:1	METRIC	MICROSD CARD CONN. EMBOSSED TYPE PACKAGE FOR 502570-08**
	10 OVER 30 UNDER	±0.25	DRAWN BY	DATE	TITLE	
	30 OVER	±0.3	YMATSUMOTO	07/09/10	MOLEX INCORPORATED	
ANGULAR	±1 °	CHECKED BY	DATE	MATERIAL NO.	DOCUMENT NO.	SHEET NO.
DRAFT WHERE APPLICABLE MUST REMAIN WITHIN DIMENSIONS		MTOMITA	07/09/10	SEE SHEET 1	SD-502570-002	2 OF 2
		APPROVED BY	DATE	THIS DRAWING CONTAINS INFORMATION THAT IS PROPRIETARY TO MOLEX INCORPORATED AND SHOULD NOT BE USED WITHOUT WRITTEN PERMISSION		
		MSASAO	07/09/10			