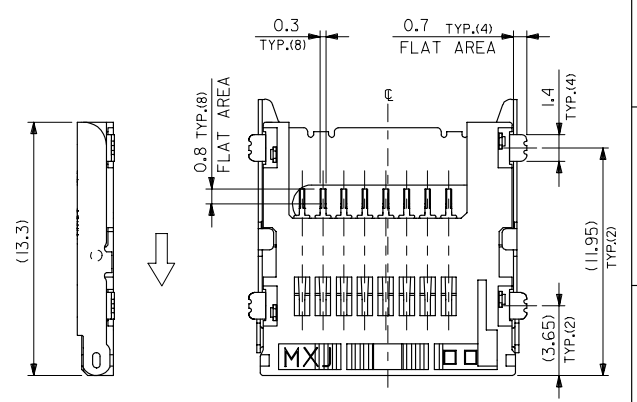


| NO. | PARTS DESCRIPTION | QTY | MATERIAL | FINISH |
|-----|-------------------|-----|--------------------------------|---|
| ① | HOUSING | 1 | LIQUID CRYSTAL POLYMER (WHITE) | → |
| ② | TERMINAL | 8 | PHOSPHOR BRONZE | CONTACT AREA: GOLD 0.5um MIN. SOLDER AREA: TIN 1.0um MIN. UNDER PLATING NICKEL 1.0um MIN. |
| ③ | SHELL | 1 | STAINLESS STEEL | → |
| ④ | NAIL | 4 | PHOSPHOR BRONZE | ALL OVER: TIN 1.0um MIN. |

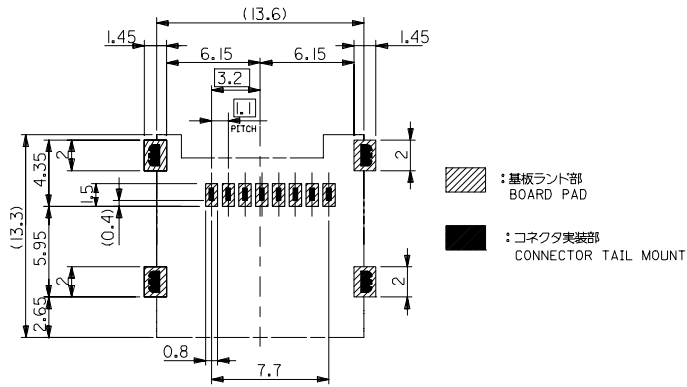


NOTE

* EACH TERMINALS AND NAILS COPLANARITY TO BE 0.1 MAX.

| | | |
|--------------------|--------------|-------------|
| WITH EMBOSSED TAPE | 500901-0801 | 500901-08** |
| CONNECTOR ONLY | 500901-0829 | |
| PACKAGE | MATERIAL No. | MODEL No. |

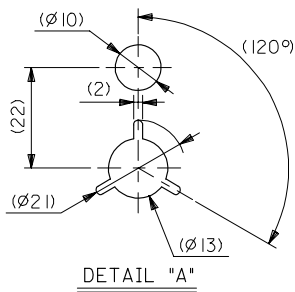
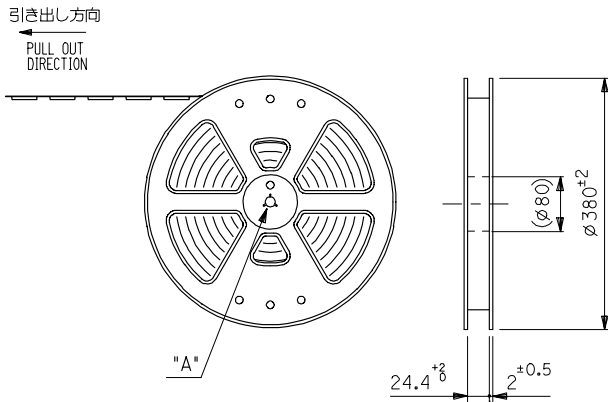
| | | | | | | | |
|--|---------------------------------------|--|----------------------------|---------------------------|--|---|------------------------|
| REVISED IEC NO. J2005-3187 DRW: KSKETO 2005/04/22 CHKD: TWATANABE 2005/04/22 APPR: JM IYAZAWA 2005/04/28 | GENERAL TOLERANCES (UNLESS SPECIFIED) | | DIMENSION STYLE MM ONLY | | SCALE 5:1 | DESIGN UNITS METRIC | THIRD ANGLE PROJECTION |
| | 10 UNDER | ± 0.2 | DRAWN BY TWATANABE | DATE 05/01/21 | TITLE TFR MEMORY CARD CONN. HINGE TYPE MOLEX INCORPORATED DOCUMENT NO. SD-500901-003 | | |
| | 10 OVER 30 UNDER | ± 0.25 | CHECKED BY HTAKASE | DATE 05/01/21 | | | |
| | 30 OVER | ± 0.3 | APPROVED BY JM IYAZAWA | DATE 05/01/21 | | | |
| ANGULAR | ± 3 ° | DRAFT WHERE APPLICABLE MUST REMAIN WITHIN DIMENSIONS | | MATERIAL NO. SEE CHART | SIZE A3 | THIS DRAWING CONTAINS INFORMATION THAT IS PROPRIETARY TO MOLEX INCORPORATED AND SHOULD NOT BE USED WITHOUT WRITTEN PERMISSION | |



推奨基板寸法(上面図) 一般公差: ±0.05
 RECOMMENDED P.C. BOARD LAYOUT(TOP VIEW)
 GENERAL TOLERANCES : ±0.05

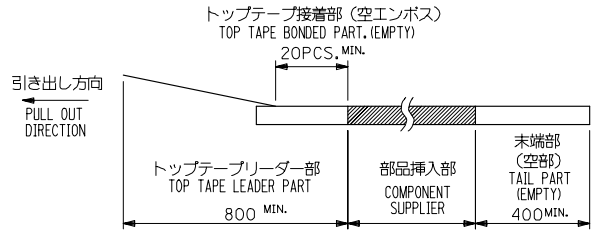
| | | | | | | | | | |
|--|--------------------|------------|---------------------------------------|---------|--|------------------|--|------------------------|---------------------------|
| REVISED REV. A | EC. NO. J2005-3187 | 2005/04/22 | GENERAL TOLERANCES (UNLESS SPECIFIED) | | DIMENSION STYLE MM ONLY | | SCALE 5:1 | DESIGN UNITS METRIC | THIRD ANGLE PROJECTION |
| | DRW:KSETO | 2005/04/22 | 10 UNDER | ± --- | DRAWN BY TWATANABE | DATE 05/01/21 | TITLE TFR MEMORY CARD CONN. HINGE TYPE | | |
| | CHK:TWATANABE | 2005/04/22 | 10 OVER 30 UNDER | ± --- | CHECKED BY HTAKASE | DATE 05/01/21 | MOLEX INCORPORATED | | |
| | APP:JMIYAZAWA | 2005/04/28 | 30 OVER | ± --- | APPROVED BY JMIYAZAWA | DATE 05/01/21 | DOCUMENT NO. SD-500901-003 | | |
| DESCRIPTION | | | ANGULAR | ± --- ° | MATERIAL NO. | | SIZE A3 | | SHEET NO. 2 OF 2 |
| DRAFT WHERE APPLICABLE MUST REMAIN WITHIN DIMENSIONS | | | SEE CHART | | THIS DRAWING CONTAINS INFORMATION THAT IS PROPRIETARY TO MOLEX INCORPORATED AND SHOULD NOT BE USED WITHOUT WRITTEN PERMISSION | | | | |

10 9 8 7 6 5 4 3 2 1

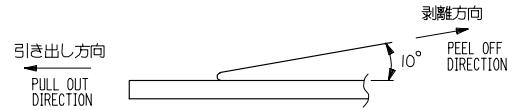


NOTES

1. 製品詳細寸法については、SD図面を参照下さい。
THE DETAIL DIMENSIONS REFER TO SALES DRAWING.
2. 梱包数量：1400個/リール
NUMBER OF CONNECTORS：1400PCS/REEL
3. リードテープ長さ LEAD TAPE LENGTH



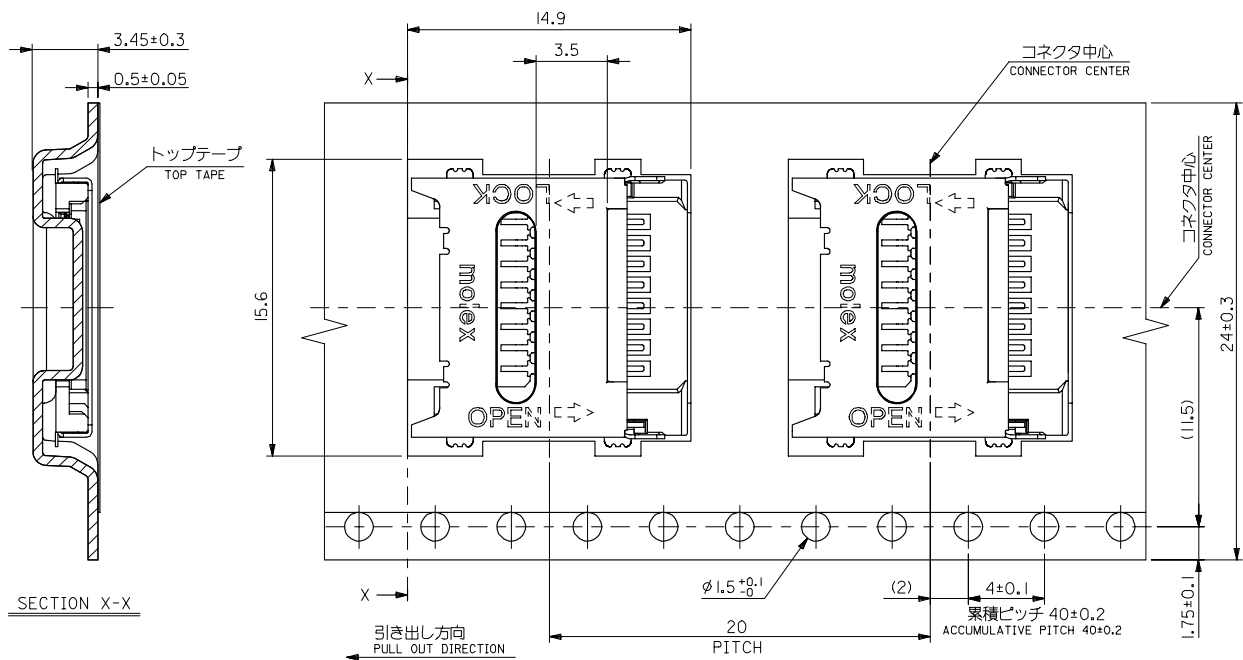
4. トップテープの剥離強度：0.1N～1.3N (10.2gf～130gf) (剥離方向は下図参照)
尚、本規格値は出荷時に適用。(但し、輸送時に剥離が発生しないこと。)
PEEL FORCE OF TOP TAPE：0.1N～1.3N (10.2gf～130gf)
(PEEL DIRECTION AS SHOWN IN FOLLOWING FIG.)
THIS REQUIREMENT SHOULD BE APPLIED AT SHIPMENT.
PEEL OFF SHOULD NOT BE ALLOWED, DURING TRANSPORTATION.



5. 材料 (MATERIAL)

キャリアテープ (CARRIER TAPE)：ポリプロピレン (POLYPROPYLENE)
 トップテープ (TOP TAPE)：PET, PE, PEF
 リール (REEL)：ポリスチレン (PS) <リサイクル材を含む>
 POLYSTYRENE (PS) <RECYCLE MATERIAL CONTAINED>

| | | | | | | | |
|--|---------------------------------------|---------|--------------------------|---|---|---------------------|------------------------|
| RELEASED IEC NO. J2005-2205 DRW: KASETO 2005/02/03 CHKD: TWATANABE 2005/02/03 APPR: IMI YAZAWA 2005/02/08 REV 0 | GENERAL TOLERANCES (UNLESS SPECIFIED) | | DIMENSION STYLE MM ONLY | | SCALE --- | DESIGN UNITS METRIC | THIRD ANGLE PROJECTION |
| | 10 UNDER | ± 0.2 | DRAWN BY TWATANABE | DATE 05/01/21 | TITLE TFR MEMORY CARD CONN. EMBOSSED TAPE PACKAGE MOLEX INCORPORATED DOCUMENT NO. SD-500901-004 SHEET NO. 1 OF 2 | | |
| | 10 OVER 30 UNDER | ± 0.25 | CHECKED BY HTAKASE | DATE 05/01/21 | | | |
| | 30 OVER | ± 0.3 | APPROVED BY JMIYAZAWA | DATE 05/01/21 | | | |
| | ANGULAR ± 3 ° | | MATERIAL NO. 500901-0801 | | | | |
| DRAFT WHERE APPLICABLE MUST REMAIN WITHIN DIMENSIONS | | SIZE A3 | | THIS DRAWING CONTAINS INFORMATION THAT IS PROPRIETARY TO MOLEX INCORPORATED AND SHOULD NOT BE USED WITHOUT WRITTEN PERMISSION | | | |



| | | | | | | | |
|--|---------------------------------------|------------|---|------------------|--|------------------------|------------------------|
| RELEASED IEC NO. J2005-2205 DRAWN BY TWATANABE 2005/02/03 CHKD: TWATANABE 2005/02/03 APPR: JMIYAZAWA 2005/02/08 0 REV | GENERAL TOLERANCES (UNLESS SPECIFIED) | | DIMENSION STYLE MM ONLY | | SCALE --- | DESIGN UNITS METRIC | THIRD ANGLE PROJECTION |
| | 10 UNDER | ± --- | DRAWN BY TWATANABE | DATE 05/01/21 | TITLE TFR MEMORY CARD CONN. EMBOSSED TAPE PACKAGE | | |
| | 10 OVER 30 UNDER | ± --- | CHECKED BY HTAKASE | DATE 05/01/21 | | | |
| | 30 OVER | ± --- | APPROVED BY JMIYAZAWA | DATE 05/01/21 | MOLEX INCORPORATED DOCUMENT NO. SD-500901-004 SHEET NO. 2 OF 2 | | |
| | ANGULAR | ± 3 ° | MATERIAL NO. 500901-0801 | | | | |
| DRAFT WHERE APPLICABLE MUST REMAIN WITHIN DIMENSIONS | | SIZE A3 | THIS DRAWING CONTAINS INFORMATION THAT IS PROPRIETARY TO MOLEX INCORPORATED AND SHOULD NOT BE USED WITHOUT WRITTEN PERMISSION | | | | |