

10 9 8 7 6 5 4 3 2 1

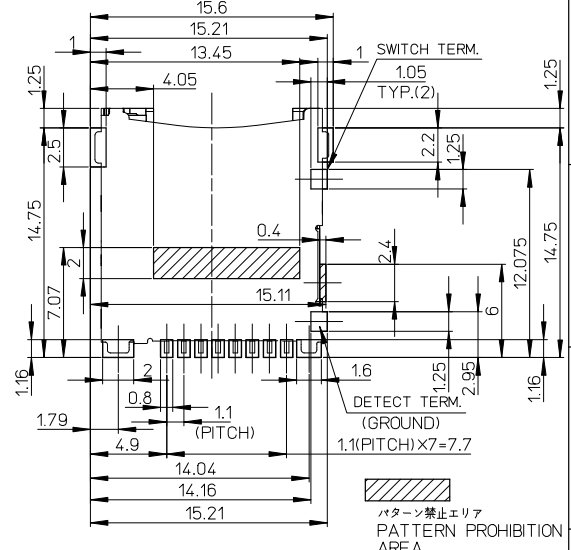
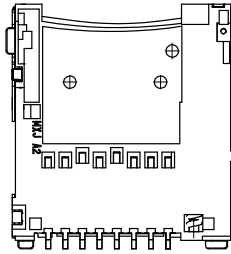
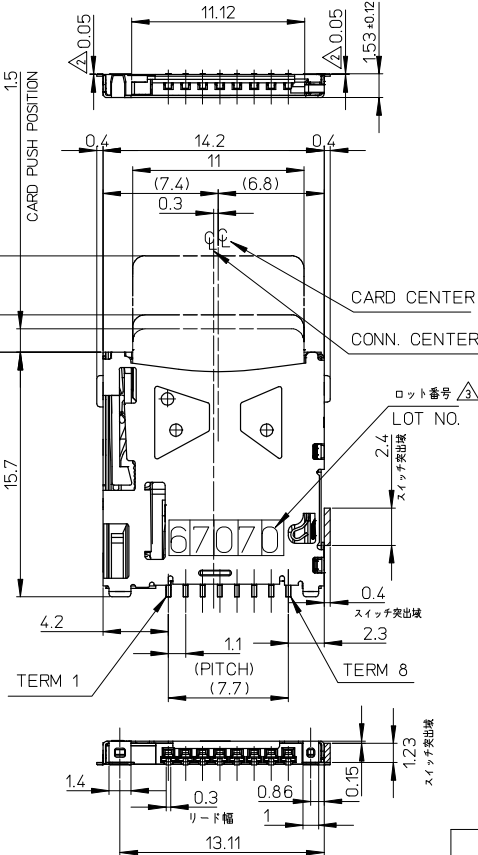
NOTES

- ターミナル及びピネルの平坦度は0.1MAX.とする。
COPLANARITY OF TERMINAL AND NAIL IS TO BE 0.1MAX.
△ スタンドオフ寸法
DIMENSIONS OF STAND OFF.
△ ロット印字は任意とする
LOT NUMBERING IS TO BE OPTIONAL.
- 肉抜き位置は任意とする。
CAVITY IS TO BE OPTIONAL.
- カード検知スイッチ
DETECT SWITCH

ロットNo. : 6 7 0 7 0
 月 7 : 7月
 MONTH 7 : 7月
 THE YEAR OF GRACE A : 10月
 6 : 2006年 B : 11月
 DAY 07 : 07日
 C : 12月
 ラインNo. LINE No.

カード挿入時 CARD INSERTING POSITION	クローズ CLOSE
カード未挿入時 NO CARD	オープン OPEN

6. ELV及びRoHS適合品
ELV AND RoHS COMPLIANT



RECOMMENDED PCB PATTERN LAYOUT
GENERAL TOLERANCE : ±0.05

EMBOSSSED TAPE	502702-0891	502702-08**
CONNECTOR ONLY	502702-0811	
PACKAGE	MATERIAL NO.	MODEL NO.

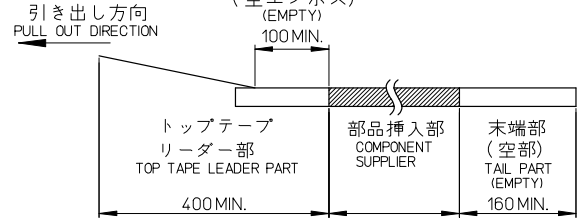
TERM 1	DAT2
TERM 2	CD/DAT3
TERM 3	CMD
TERM 4	Vdd
TERM 5	CLK
TERM 6	Vss
TERM 7	DAT0
TERM 8	DAT1

RELEASED EC NO: J2008-3093 DRAWN BY: M.NABEI CHKD: T.HARUYAMA APPR: NUKITA	GENERAL TOLERANCES (UNLESS SPECIFIED)	DIMENSION STYLE MM ONLY	SCALE ---	DESIGN UNITS METRIC	THIRD ANGLE PROJECTION
	10 UNDER ±0.2	DRAWN BY M.NABEI	DATE '08/02/22	TITLE MICRO SD CARD CONN. NORMAL LOW-PROFILE ASS'Y	
	10 OVER 30 UNDER ±0.25	CHECKED BY T.HARUYAMA	DATE '08/02/22	MOLEX INCORPORATED	
	30 OVER ±0.3	APPROVED BY N.UKITA	DATE '08/02/22	DOCUMENT NO. SD-502702-003	SHEET NO. 1 OF 1
ANGULAR ±1°	DRAFT WHERE APPLICABLE MUST REMAIN WITHIN DIMENSIONS		THIS DRAWING CONTAINS INFORMATION THAT IS PROPRIETARY TO MOLEX INCORPORATED AND SHOULD NOT BE USED WITHOUT WRITTEN PERMISSION		

NOTES

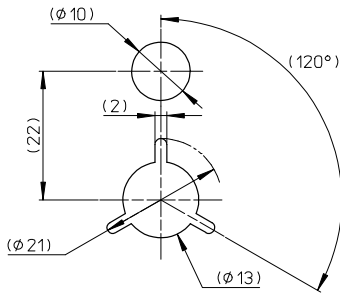
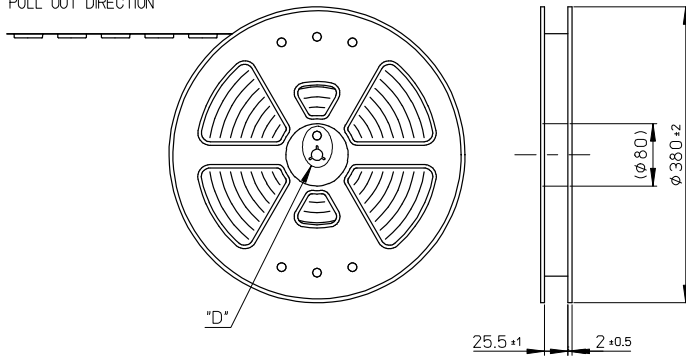
- 製品詳細寸法は製品単体図面を参照して下さい。
FOR DETAIL OF CONNECTOR DIMENSIONS, PLEASE SEE THE DRAWING OF CONNECTOR ITSELF (NOT PACKAGED).
- 梱包数量：1000個／リール
NUMBER OF CONNECTORS：1000 PCS/REEL.
- リードテープ長さ LEAD TAPE LENGTH.

トップテープ接着部
TOP TAPE BONDED PART.
(空エンボス)
(EMPTY)



- 材料 MATERIAL
キャリアテープ (CARRIER TAPE)：ポリスチレン (POLYSTYRENE)
トップテープ (TOP TAPE)：PET, PE, PEF
リール (REEL)：ポリスチレン (PS) <リサイクル材含む>
POLYSTYRENE (PS) <RECYCLE MATERIAL CONTAINED>
- ELV 及び RoHS 適合品
ELV AND RoHS COMPLIANT

引き出し方向
PULL OUT DIRECTION

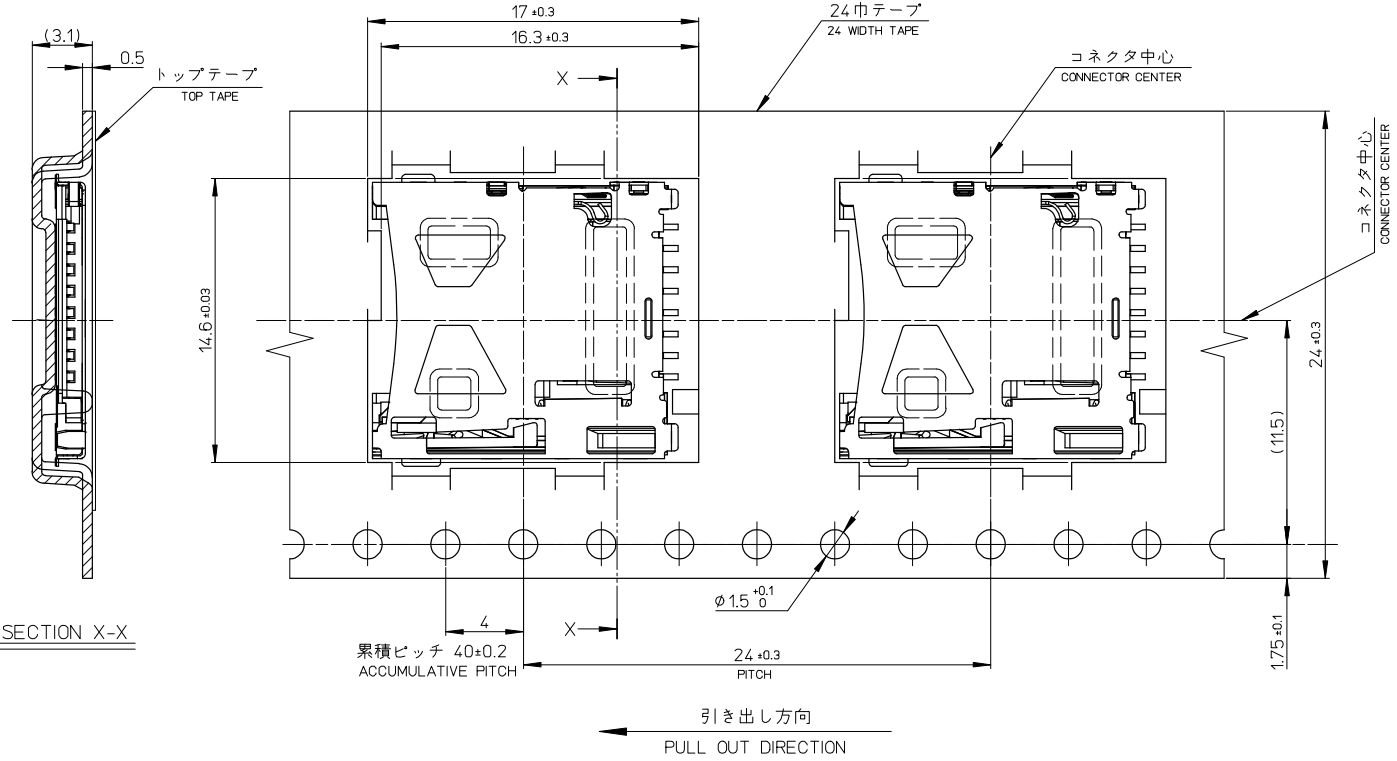


DETAIL "D"

502702-0811	502702-0891	502702-08**
CONNECTOR	MATERIAL NO.	MODEL NO.

RELEASED EC NO: J2008-3093 DRAWN BY: M.NABEI CHKD: T.HARUYAMA APPR: N. UKITA O REV DESCRIPTION 2008/02/29 2008/02/29 2008/03/03	GENERAL TOLERANCES (UNLESS SPECIFIED)		DIMENSION STYLE MM ONLY		SCALE ---	DESIGN UNITS METRIC	THIRD ANGLE PROJECTION
	10 UNDER	±0.2	DRAWN BY M. NABEI	DATE '08/02/22	TITLE MICRO SD CONN. LOW-PRO EMBOSSD TAPE PACKAGE		
	10 OVER 30 UNDER	±0.25	CHECKED BY T. HARUYAMA	DATE '08/02/22	MATERIAL NO. SEE TABLE		
	30 OVER	±0.3	APPROVED BY N. UKITA	DATE '08/02/22	DOCUMENT NO. SD-502702-004		
	ANGULAR ±1 °		MATERIAL NO. SEE TABLE		SHEET NO. 1 OF 2		
DRAFT WHERE APPLICABLE MUST REMAIN WITHIN DIMENSIONS			THIS DRAWING CONTAINS INFORMATION THAT IS PROPRIETARY TO MOLEX INCORPORATED AND SHOULD NOT BE USED WITHOUT WRITTEN PERMISSION				

10 9 8 7 6 5 4 3 2 1



SECTION X-X

RELEASED EC NO: J2008-3093 DRAWN BY: M. NABEI CHECKED BY: T. HARUYAMA APPR: N. UKITA 2008/02/29 2008/02/29 2008/03/03	GENERAL TOLERANCES (UNLESS SPECIFIED)		DIMENSION STYLE MM ONLY		SCALE ---	DESIGN UNITS METRIC	THIRD ANGLE PROJECTION
	10 UNDER	±0.2	DRAWN BY M. NABEI	DATE '08/02/22	TITLE MICRO SD CONN. LOW-PRO EMBOSSED TAPE PACKAGE		
	10 OVER 30 UNDER	±0.25	CHECKED BY T. HARUYAMA	DATE '08/02/22	MOLEX INCORPORATED		
	30 OVER	±0.3	APPROVED BY N. UKITA	DATE '08/02/22	MATERIAL NO. SEE SHEET 1 DOCUMENT NO. SD-502702-004 SHEET NO. 2 OF 2		
0	DESCRIPTION	ANGULAR ±1 ° DRAFT WHERE APPLICABLE MUST REMAIN WITHIN DIMENSIONS		THIS DRAWING CONTAINS INFORMATION THAT IS PROPRIETARY TO MOLEX INCORPORATED AND SHOULD NOT BE USED WITHOUT WRITTEN PERMISSION			