

4

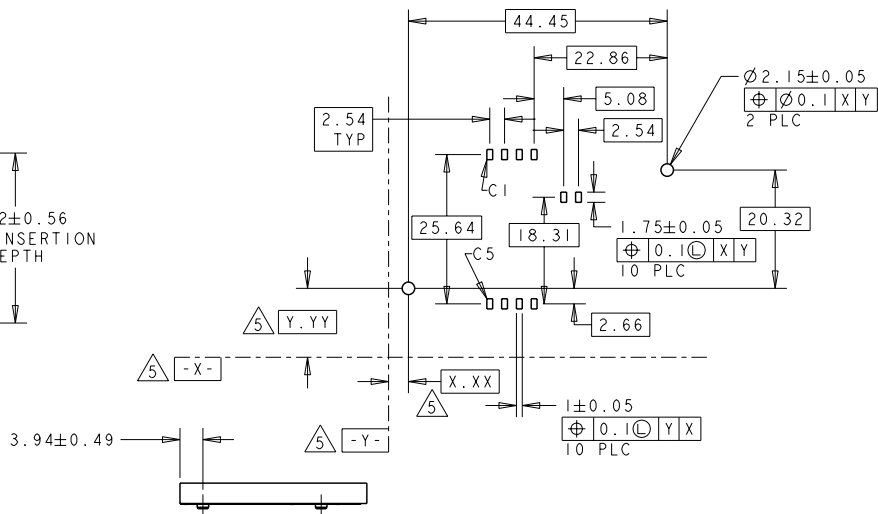
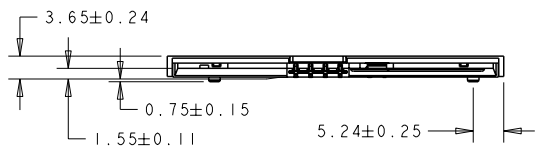
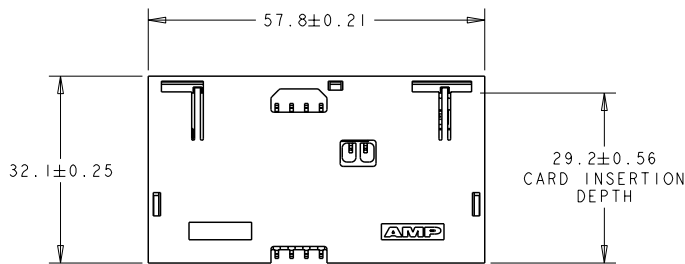
3

2

1

THIS DRAWING IS UNPUBLISHED. RELEASED FOR PUBLICATION 20  
 COPYRIGHT 20 BY TYCO ELECTRONICS CORPORATION. ALL INTERNATIONAL RIGHTS RESERVED.

LOC		DIST		REVISIONS			
P	LTR	DESCRIPTION	DATE	DWN	APVD	CR	DLG
A		REVISED PER ECO-09-023588	26OCT2009			CR	DLG
B		REVISED PER ECO-10-010631	01JUL2010			CJV	DLG
B2		REVISED PER ECO-10-017341	30AUG2010			JTL	DLG
B3		REVISED PER ECO-10-025174	09DEC2010			JTL	DLG



1 MATERIALS: HOUSING: THERMOPLASTIC, COLOR: BLACK, CONTACTS: COPPER ALLOY.

2 FINISH: CONTACTS: GOLD PLATE ON MATING SURFACE, TIN-LEAD ON SOLDER TAIL, ALL OVER NICKEL UNDERPLATE.

3 CONNECTOR WITHOUT COVER, SHOWN ON PAGE 2.

4. CARD DETECTION SWITCH NORMALLY OPEN.

5 DATUMS AND DIMENSIONS ESTABLISHED BY CUSTOMER.

6 TOP SURFACE OF THE MATING CARD TO BE HELD .875 ± .025 ABOVE THE MAJOR TOP SURFACE OF THE BOTTOM HOUSING.

3 6

GOLD PLATING MIN THICKNESS	QTY/UNIT PACKAGE	PACKAGE SIZE	PACKAGE	CONTACT POSITIONS	PART NUMBER
.000127	250	72	REEL	8	5145300-4
.000127	21	329.0 x 229.0	TRAY	8	5145300-3
.00076	28	333.5 x 288.8	TRAY	8	5145300-2
.00076	28	333.5 x 288.8	TRAY	8	5145300-1

THIS DRAWING IS A CONTROLLED DOCUMENT FOR TYCO ELECTRONICS CORPORATION IT IS SUBJECT TO CHANGE AND THE CONTROLLING ENGINEERING ORGANIZATION SHOULD BE CONTACTED FOR THE LATEST REVISION.

DIMENSIONS:	TOLERANCES UNLESS OTHERWISE SPECIFIED:
mm	0 PLC ±0.5
	1 PLC ±0.25
	2 PLC ±0.15
	3 PLC ±0.05
	4 PLC ±0.03
	ANGLES 45°

DOWN G. PETERS 27NOV05	AMP Incorporated Harrisburg, PA 17105-3608
CHK D. GORENC 27NOV05	
APVD M. WALMSLEY 27NOV05	
PRODUCT SPEC 108-1742	NAME SURFACE MOUNT SMART CARD W/ CARD DETECTION SWITCH
APPLICATION SPEC	SIZE CAGE CODE DRAWING NO RESTRICTED TO
WEIGHT -	A3 00779 C-5145300 -
CUSTOMER DRAWING	SCALE 2:1 SHEET 1 OF 5 REV B3

4

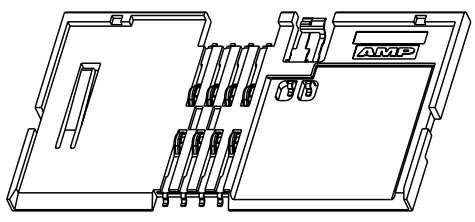
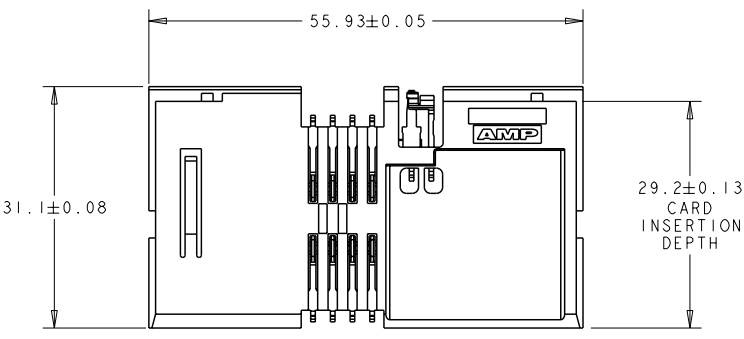
3

2

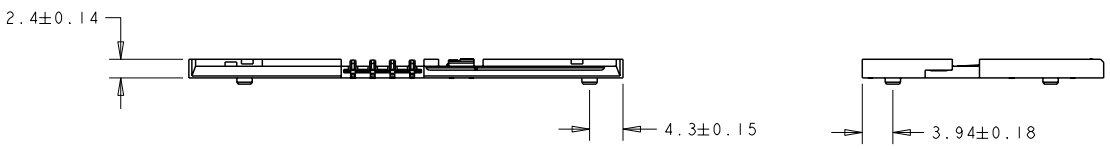
1

THIS DRAWING IS UNPUBLISHED. RELEASED FOR PUBLICATION 20  
 © COPYRIGHT 20 BY TYCO ELECTRONICS CORPORATION. ALL INTERNATIONAL RIGHTS RESERVED.

LOC	DIST	REVISIONS				
P	LTR	DESCRIPTION	DATE	DWN	APVD	
GP	00	-	SEE SHEET 1	-	-	



3 I 45300-1 DEPICTED ON THIS PAGE.



<small>THIS DRAWING IS A CONTROLLED DOCUMENT FOR TYCO ELECTRONICS CORPORATION          IT IS SUBJECT TO CHANGE AND THE CONTROLLING ENGINEERING ORGANIZATION          SHOULD BE CONTACTED FOR THE LATEST REVISION.</small>		DWN G. PETERS 27NOV05	AMP Incorporated Harrisburg, PA 17105-3608	
DIMENSIONS: mm		CHK D. GORENC 27NOV05	NAME SURFACE MOUNT SMART CARD W/ CARD DETECTION SWITCH	
TOLERANCES UNLESS OTHERWISE SPECIFIED: 0 PLC ±0.5 1 PLC ±0.25 2 PLC ±0.15 3 PLC ±0.05 4 PLC ±0.03 ANGLES 45°		APVD M. WALMSLEY 27NOV05	PRODUCT SPEC 108-1742	RESTRICTED TO
MATERIAL		APPLICATION SPEC	SIZE A3	CAGE CODE 00779
FINISH		WEIGHT	DRAWING NO C-5145300	DRAWING NO
		CUSTOMER DRAWING	SCALE 2:1	SHEET 2
			OF 5	REV B3

1470-19 (2/09)

4

3

2

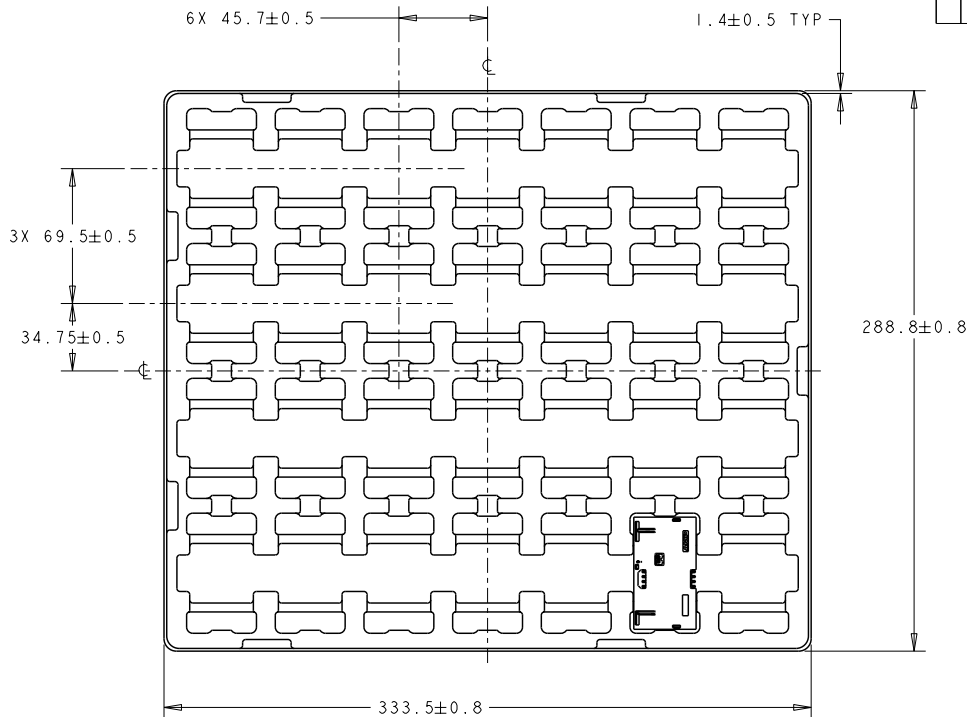
1

THIS DRAWING IS UNPUBLISHED. RELEASED FOR PUBLICATION 20  
COPYRIGHT 20 BY TYCO ELECTRONICS CORPORATION. ALL INTERNATIONAL RIGHTS RESERVED.

LOC GP 00 DIST

REVISIONS

P	LTR	DESCRIPTION	DATE	DWN	APVD
-		SEE SHEET 1	-	-	-



TRAY PACKAGING FOR 5145300-1 AND 5145300-2

THIS DRAWING IS A CONTROLLED DOCUMENT FOR TYCO ELECTRONICS CORPORATION  
IT IS SUBJECT TO CHANGE AND THE CONTROLLING ENGINEERING ORGANIZATION  
SHOULD BE CONTACTED FOR THE LATEST REVISION.

DIMENSIONS:	TOLERANCES UNLESS OTHERWISE SPECIFIED:
mm	0 PLC ±0.5
	1 PLC ±0.25
	2 PLC ±0.15
	3 PLC ±0.05
	4 PLC ±0.03
	ANGLES 45°

MATERIAL FINISH

DWN	G. PETERS	27NOV05
CHK	D. GORENC	27NOV05
APVD	M. WALMSLEY	27NOV05
NAME	108-1742	
PRODUCT SPEC	APPLICATION SPEC	
WEIGHT	-	
CUSTOMER DRAWING	-	

Tyco Electronics AMP Incorporated Harrisburg, PA 17105-3608

SURFACE MOUNT SMART CARD W/ CARD DETECTION SWITCH			RESTRICTED TO
SIZE	CAGE CODE	DRAWING NO	
A3	00779	C-5145300	
SCALE	1:2	SHEET	3 OF 5
REV	B3		

4

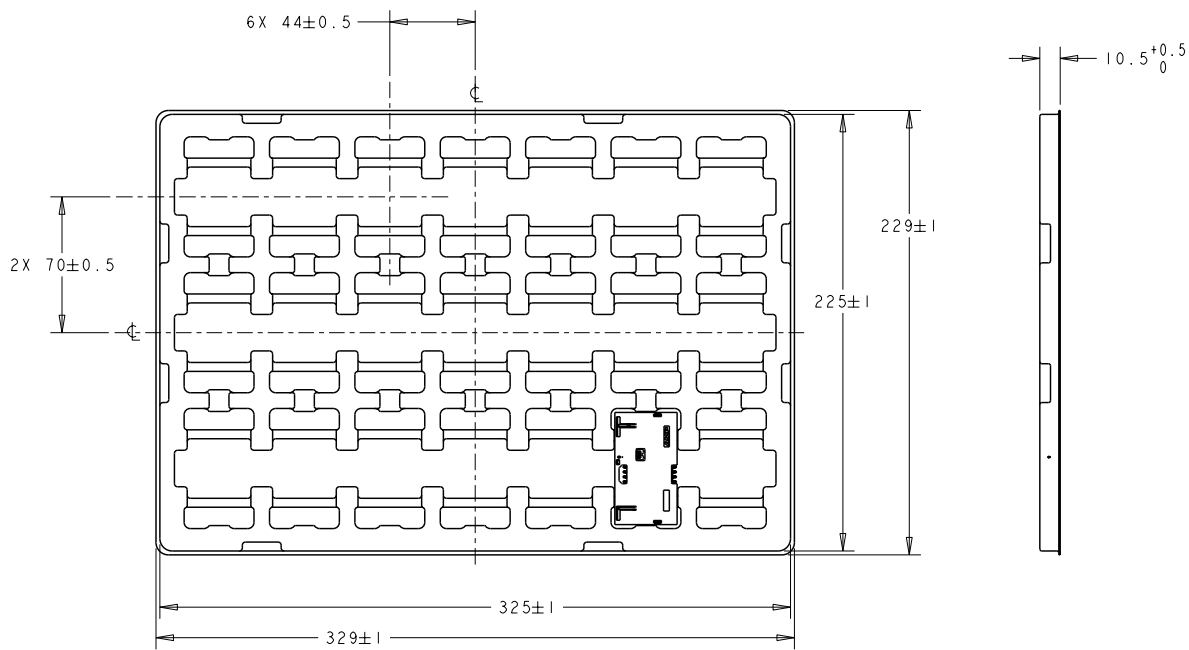
3

2

1

THIS DRAWING IS UNPUBLISHED. RELEASED FOR PUBLICATION 20  
COPYRIGHT 20 BY TYCO ELECTRONICS CORPORATION. ALL INTERNATIONAL RIGHTS RESERVED.

LOC	DIST	REVISIONS				
P	LTR	DESCRIPTION	DATE	DWN	APVD	
GP	00	SEE SHEET 1	-	-	-	



TRAY PACKAGING FOR 5145300-3

<small>THIS DRAWING IS A CONTROLLED DOCUMENT FOR TYCO ELECTRONICS CORPORATION IT IS SUBJECT TO CHANGE AND THE CONTROLLING ENGINEERING ORGANIZATION SHOULD BE CONTACTED FOR THE LATEST REVISION.</small>		DWN G. PETERS 27NOV05 CHN D. GORENC 27NOV05 APVD M. WALMSLEY 27NOV05	AMP Incorporated Harrisburg, PA 17105-3608
DIMENSIONS: mm	TOLERANCES UNLESS OTHERWISE SPECIFIED: 0 PLC ±0.5 1 PLC ±0.25 2 PLC ±0.15 3 PLC ±0.05 4 PLC ±0.03 ANGLES 45°	NAME SURFACE MOUNT SMART CARD W/ CARD DETECTION SWITCH	RESTRICTED TO
	MATERIAL FINISH	PRODUCT SPEC 108-1742 APPLICATION SPEC - WEIGHT - CUSTOMER DRAWING	SIZE A3 CAGE CODE 00779 DRAWING NO C-5145300 SCALE 1:2 SHEET 4 OF 5 REV B3

1470-19 (2/09)

4

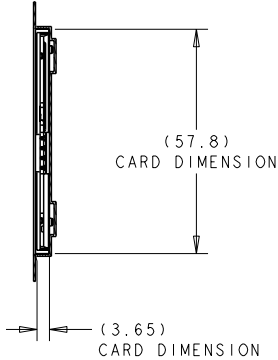
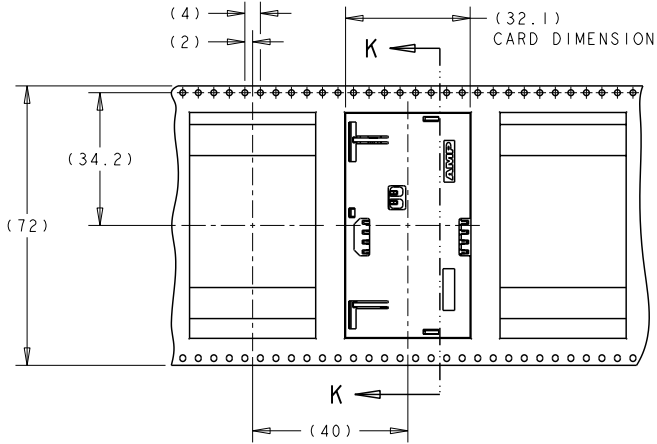
3

2

1

THIS DRAWING IS UNPUBLISHED. RELEASED FOR PUBLICATION 20  
 COPYRIGHT 20 BY TYCO ELECTRONICS CORPORATION. ALL INTERNATIONAL RIGHTS RESERVED.

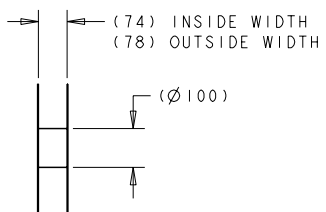
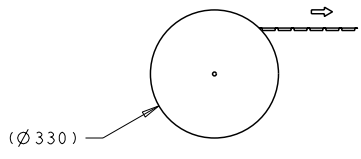
LOC	DIST	REVISIONS				
P	LTR	DESCRIPTION	DATE	DWN	APVD	
GP	00	SEE SHEET 1	-	-	-	



➔ CUSTOMER DE-REEL DIRECTION

SECTION K-K

TAPE PACKAGING FOR 5145300-4  
SCALE 1:1



PLASTIC REEL DETAILS FOR 5145300-4  
SCALE 1:10

<small>THIS DRAWING IS A CONTROLLED DOCUMENT FOR TYCO ELECTRONICS CORPORATION          IT IS SUBJECT TO CHANGE AND THE CONTROLLING ENGINEERING ORGANIZATION          SHOULD BE CONTACTED FOR THE LATEST REVISION.</small>		DWN 27NOV05 G. PETERS CHK 27NOV05 D. GORENC APVD 27NOV05 M. WALMSLEY	AMP Incorporated Harrisburg, PA 17105-3608
DIMENSIONS: mm	TOLERANCES UNLESS OTHERWISE SPECIFIED: 0 PLC ±0.5 1 PLC ±0.25 2 PLC ±0.15 3 PLC ±0.05 4 PLC ±0.03 ANGLES 45°	NAME SURFACE MOUNT SMART CARD W/ CARD DETECTION SWITCH	RESTRICTED TO
	MATERIAL FINISH	PRODUCT SPEC 108-1742 APPLICATION SPEC - WEIGHT - CUSTOMER DRAWING	SIZE A3 CAGE CODE 00779 DRAWING NO. C-5145300
		SCALE 2:1 SHEET 5 OF 5 REV B3	