

PCMCIA PC Memory Card Connectors



Features/Benefits

SERIES 5025

Series 5025 offers single or double stacked header combinations in SMT or Through Hole.

Also, this series meets the requirements of Ver. 4.2/PCMCIA Type I, II and III equipment.

Upper and lower stage of header offers the combination of DIP/SMT and DIP/DIP.

This product meets or exceeds the minimum requirements outlined in the PC Card specification for technical and performance criteria.

SERIES 5027

This is an SMT lightweight connector for 3.3v or 5v cards.

Height is 5.0mm (0.197), weight is under 10 grams (with single ejector mechanism) which is one of the lightest available in this industry.

Dual type is 2 pcs, side-by-side configuration and you can choose "With Ejector type" or "Without Ejector type".

This meets the requirements of PCMCIA, Type I, II and III.

This product meets or exceeds the minimum requirements outlined in the PC Card specification for technical and performance criteria.

SERIES 5069

1.27mm (0.05) pitch 68 positions plug connector designed for PC card. Contacts on the card side is arranged in two rows and the substrate side has DIP type and SMT type.

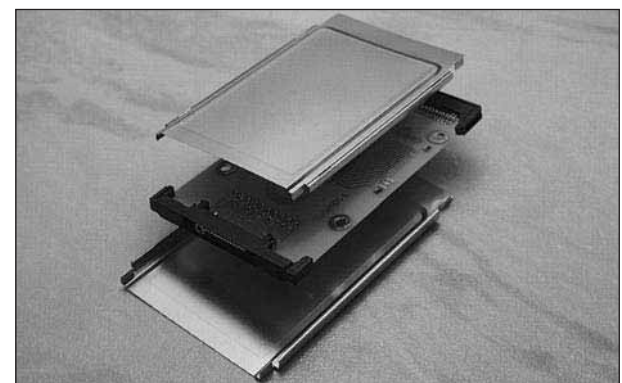
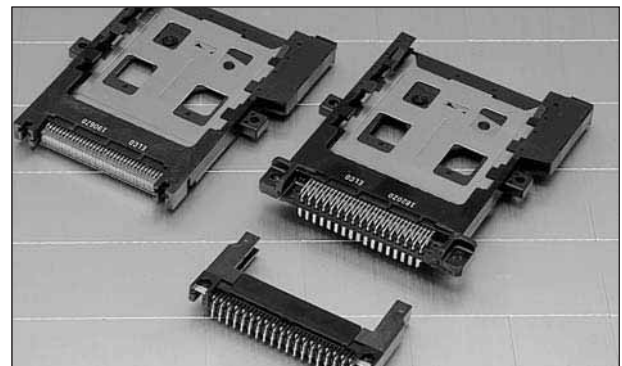
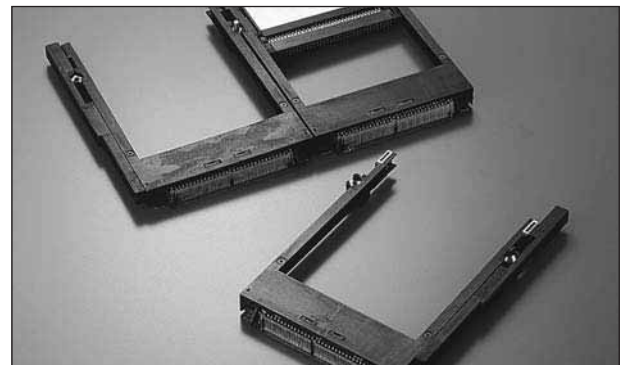
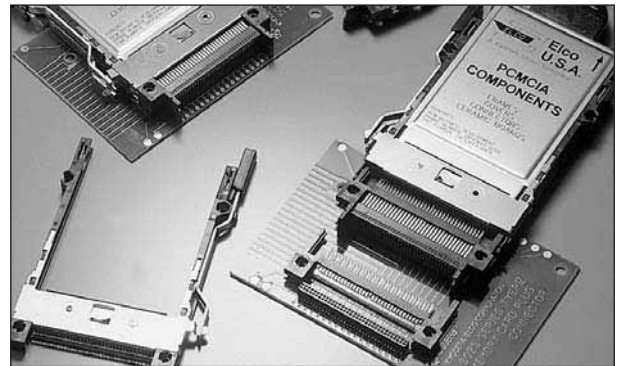
Receptacle (card side) connector is also available.

This product meets or exceeds the minimum requirements outlined in the PC Card specification for technical and performance criteria.

SERIES 9180

The 9180 series PC Card kits offers the broadest range of standard options in the industry. This includes; SMT connectors with multiple offsets, I/O connectors, label recesses, cover insulating films and wireless extensions. Assembly is accomplished by a simple snap together process with a low cost production tool.

This product meets or exceeds the minimum requirements outlined in the PC Card specification for technical and performance criteria.

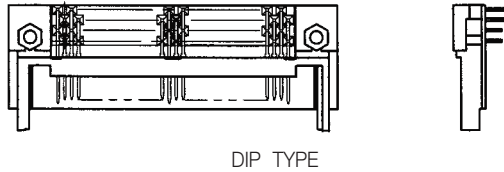
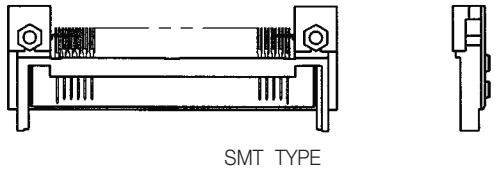


PCMCIA PC Memory Card Connectors

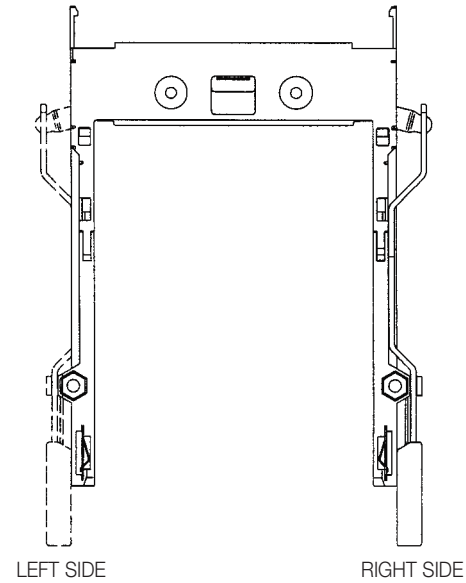


Series 5025 Product Selection Guide

CONNECTOR



EJECTOR



SINGLE SMT

Connector Style			Ejector Style Button Side	How To Order		Page
Stand Off	Voltage	Keying		Connector	Ejector	
Height=0	5v	Normal	Left	31 5025 068 305 871	30 5025 000 321 000	6, 7
			Right	31 5025 068 305 871	30 5025 000 322 000	
Height=0	5v	Reverse	Left	31 5025 068 355 871	30 5025 000 321 000	6, 7
			Right	31 5025 068 355 871	30 5025 000 322 000	

SINGLE DIP

Connector Style			Ejector Style Button Side	How To Order		Page
Stand Off	Voltage	Keying		Connector	Ejector	
Height=0	5v	Normal	Left	31 5025 068 100 871	30 5025 000 321 000	8, 9
			Right	31 5025 068 100 871	30 5025 000 322 000	
Height=0	5v	Reverse	Left	31 5025 068 150 871	30 5025 000 321 000	8, 9
			Right	31 5025 068 150 871	30 5025 000 322 000	

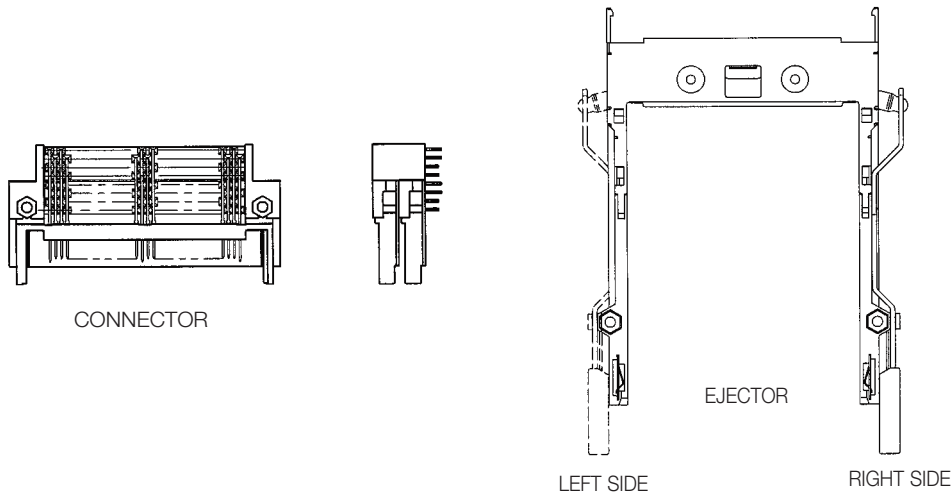
Note – If drawings are required then please contact your local sales office.

PCMCIA PC Memory Card Connectors



Series 5025 Product Selection Guide

SERIES 5025



DUAL DIP/DIP

Connector Style			Ejector Style	Assembly Number	How To Order	Page
Stand Off	Voltage	Keying	Button Side	Connector	Ejector	
Height=0	5v	Normal	Left/Left	31 5025 136 500 871	30 5025 000 621 000	10, 11
			Right/Right	31 5025 136 500 871	30 5025 000 622 000	
			Left/Right	31 5025 136 500 871	30 5025 000 623 000	
			Right/Left	31 5025 136 500 871	30 5025 000 624 000	
Height=0	5v	Reverse	Left/Left	31 5025 136 550 871	30 5025 000 621 000	10, 11
			Right/Right	31 5025 136 550 871	30 5025 000 622 000	
			Left/Right	31 5025 136 550 871	30 5025 000 623 000	
			Right/Left	31 5025 136 550 871	30 5025 000 624 000	

Note – If drawings are required then please contact your local sales office.

Assembly number for connector above comprises of a lower and upper header that needs to be ordered separately. See below on How To Order.

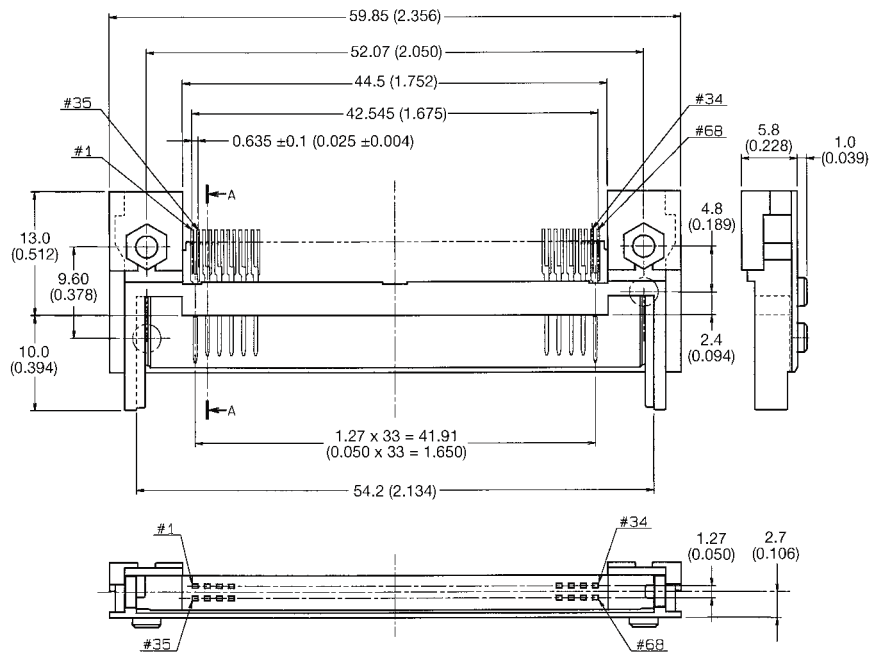
Assembly Number	Header Type	How To Order	Page
31 5025 136 500 871	Upper Header	31 5025 068 200 871	10, 11
	Lower Header	31 5025 068 100 871	
31 5025 136 550 871	Upper Header	31 5025 068 250 871	10, 11
	Lower Header	31 5025 068 150 871	

PCMCIA PC Memory Card Connectors



Series 5025 SMT SINGLE Header/Ejector Assembly

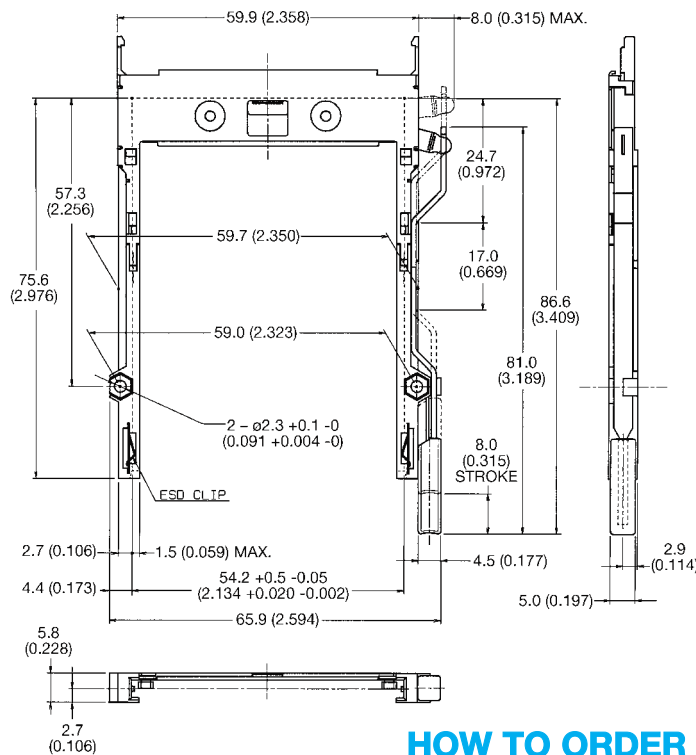
CONNECTOR



HOW TO ORDER

31 5025 068 305 871

EJECTOR



HOW TO ORDER

30 5025 000 322 000

Variation Code
See page 4

Variation Code
See page 4

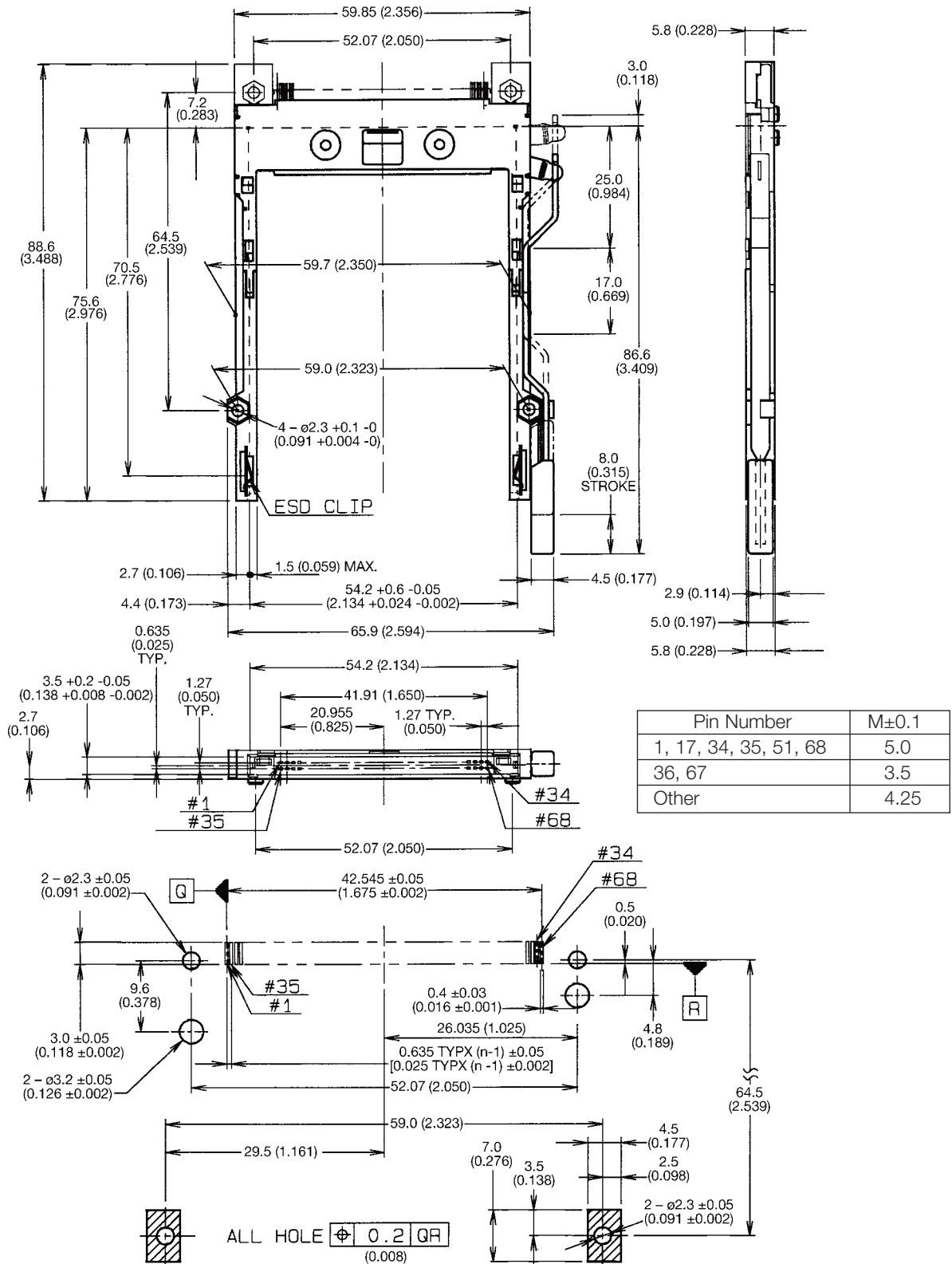


PCMCIA PC Memory Card Connectors



Series 5025 SMT SINGLE Header/Ejector Assembly

ASSEMBLY



RECOMMENDED PRINTED CIRCUIT LAYOUT

See page 4 for How To Order

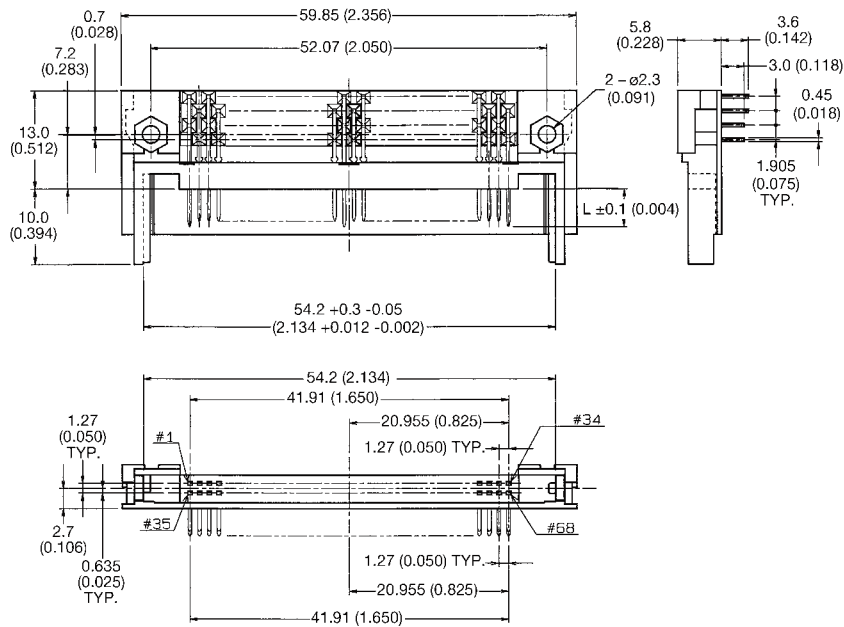


PCMCIA PC Memory Card Connectors



Series 5025 DIP SINGLE Header/Ejector Assembly

CONNECTOR

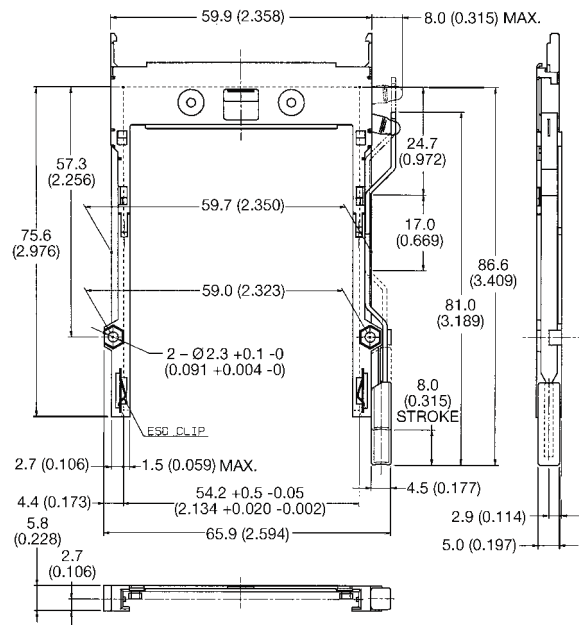


HOW TO ORDER

31 5025 068 100 871

Variation Code
See page 4

EJECTOR



HOW TO ORDER

30 5025 000 322 000

Variation Code
See page 4

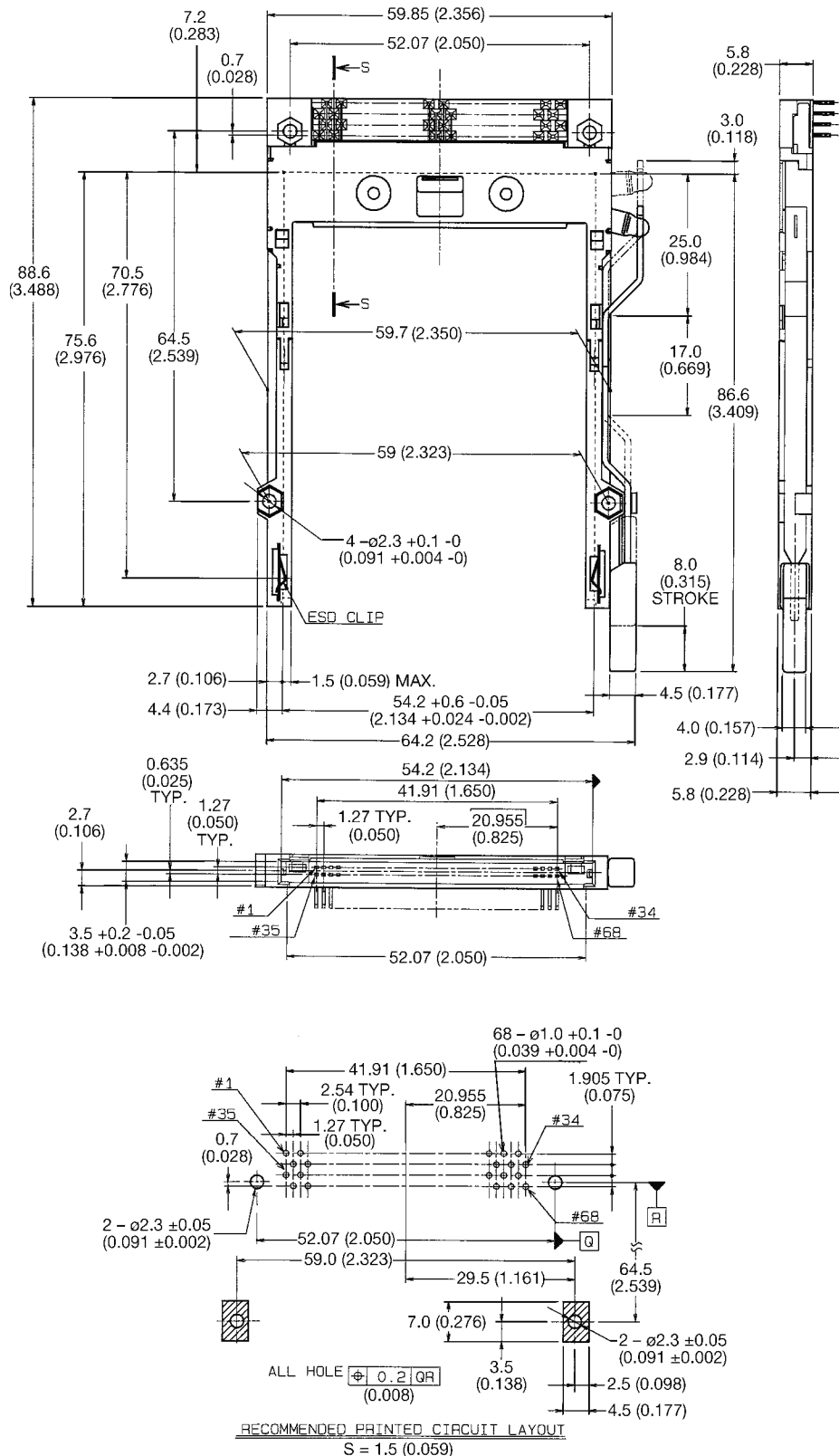


PCMCIA PC Memory Card Connectors



Series 5025 DIP SINGLE Header/Ejector Assembly

ASSEMBLY



See page 4 for How To Order



PCMCIA PC Memory Card Connectors

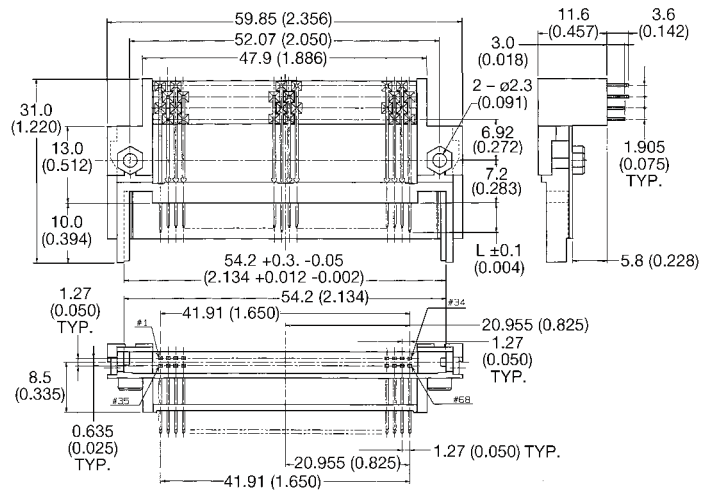
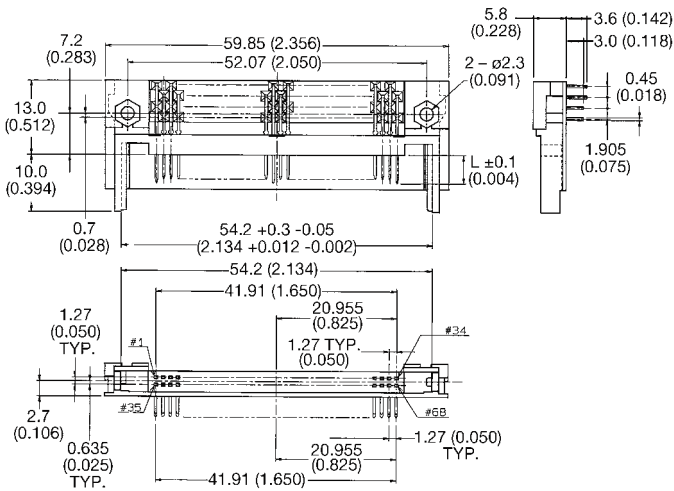


Series 5025 DIP DUAL Header/Ejector Assembly

CONNECTOR

LOWER

UPPER



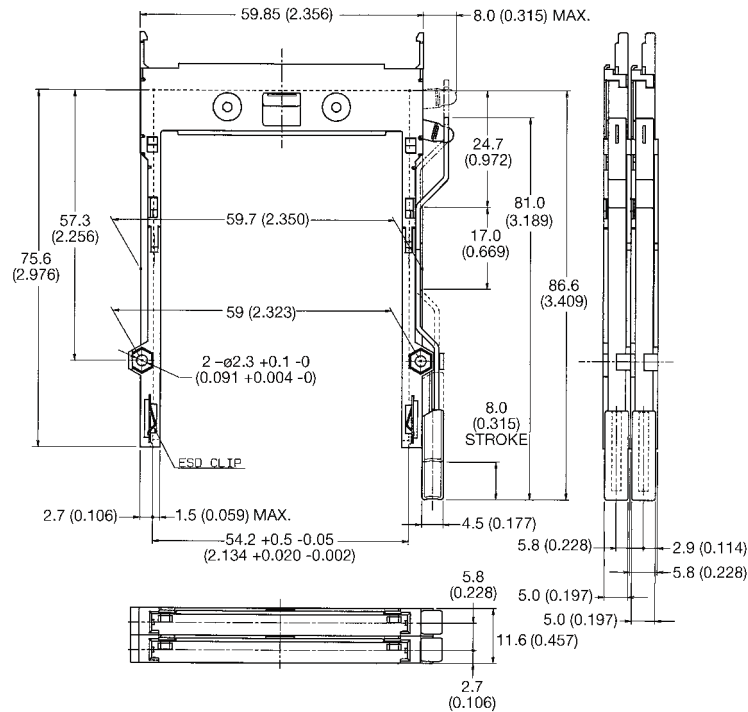
ASSEMBLY NUMBER

31 5025 136 5X0 871

Variation Code

See page 5
500 = Normal
550 = Reverse

EJECTOR



HOW TO ORDER

30 5025 000 622 000

Variation Code
See page 5



