

PCMCIA PC Memory Card Connectors



Features/Benefits

SERIES 5025

Series 5025 offers single or double stacked header combinations in SMT or Through Hole.

Also, this series meets the requirements of Ver. 4.2/PCMCIA Type I, II and III equipment.

Upper and lower stage of header offers the combination of DIP/SMT and DIP/DIP.

This product meets or exceeds the minimum requirements outlined in the PC Card specification for technical and performance criteria.

SERIES 5027

This is an SMT lightweight connector for 3.3v or 5v cards.

Height is 5.0mm (0.197), weight is under 10 grams (with single ejector mechanism) which is one of the lightest available in this industry.

Dual type is 2 pcs, side-by-side configuration and you can choose "With Ejector type" or "Without Ejector type".

This meets the requirements of PCMCIA, Type I, II and III.

This product meets or exceeds the minimum requirements outlined in the PC Card specification for technical and performance criteria.

SERIES 5069

1.27mm (0.05) pitch 68 positions plug connector designed for PC card. Contacts on the card side is arranged in two rows and the substrate side has DIP type and SMT type.

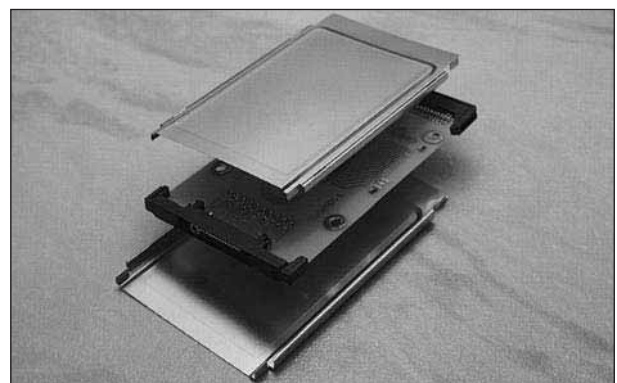
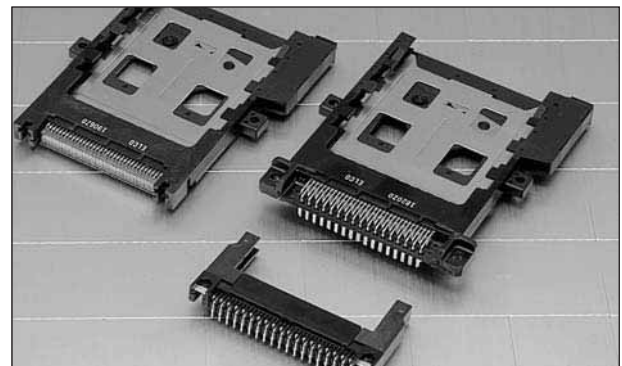
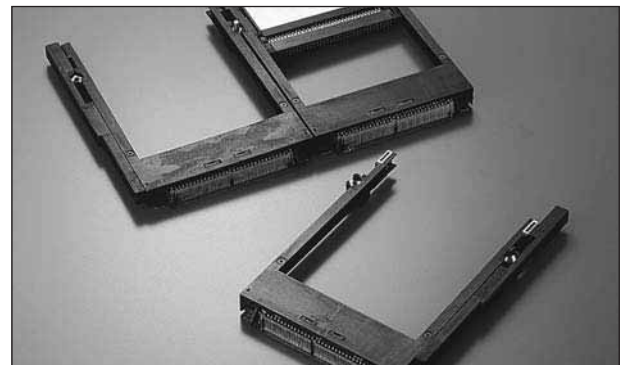
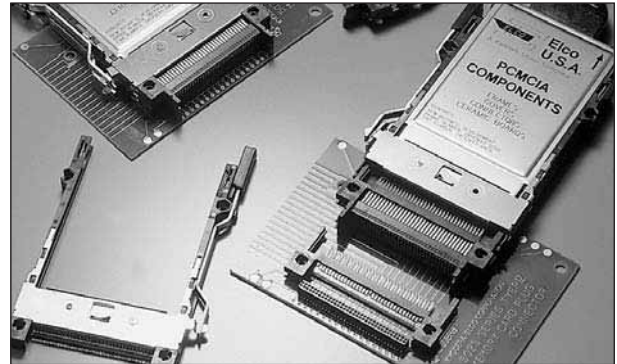
Receptacle (card side) connector is also available.

This product meets or exceeds the minimum requirements outlined in the PC Card specification for technical and performance criteria.

SERIES 9180

The 9180 series PC Card kits offers the broadest range of standard options in the industry. This includes; SMT connectors with multiple offsets, I/O connectors, label recesses, cover insulating films and wireless extensions. Assembly is accomplished by a simple snap together process with a low cost production tool.

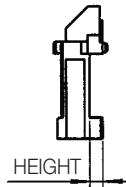
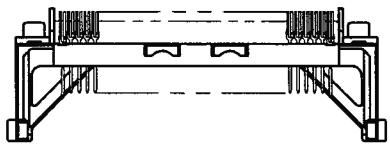
This product meets or exceeds the minimum requirements outlined in the PC Card specification for technical and performance criteria.



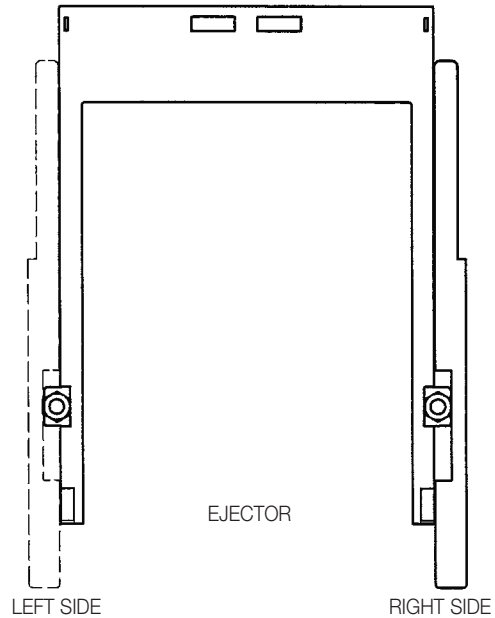
PCMCIA PC Memory Card Connectors



Series 5027 Product Selection Guide



CONNECTOR



EJECTOR

LEFT SIDE

RIGHT SIDE

Connector Style			Ejector Style Button Side	How To Order		Page	
Stand Off	Voltage	Keying		Connector	Ejector		
Height=0	5v	Normal	Left	31 5027 068 010 871	30 5027 000 001 000	15, 16	
			Right	31 5027 068 010 871	30 5027 000 002 000		
Height=0	5v	Reverse	Left	31 5027 068 020 871	30 5027 000 001 000		
			Right	31 5027 068 020 871	30 5027 000 002 000		
Height=0	3.3v	Normal	Left	31 5027 068 030 871	30 5027 000 001 000		
			Right	31 5027 068 030 871	30 5027 000 002 000		
Height=0	3.3v	Reverse	Left	31 5027 068 040 871	30 5027 000 001 000		
			Right	31 5027 068 040 871	30 5027 000 002 000		
Height=2.2	5v	Normal	Left	31 5027 068 110 871	30 5027 000 101 000		17, 18
			Right	31 5027 068 110 871	30 5027 000 102 000		
Height=2.2	5v	Reverse	Left	31 5027 068 120 871	30 5027 000 101 000		
			Right	31 5027 068 120 871	30 5027 000 102 000		
Height=2.2	3.3v	Normal	Left	31 5027 068 130 871	30 5027 000 101 000		
			Right	31 5027 068 130 871	30 5027 000 102 000		
Height=2.2	3.3v	Reverse	Left	31 5027 068 140 871	30 5027 000 101 000		
			Right	31 5027 068 140 871	30 5027 000 102 000		

Note – If drawings are required then please contact your local sales office.

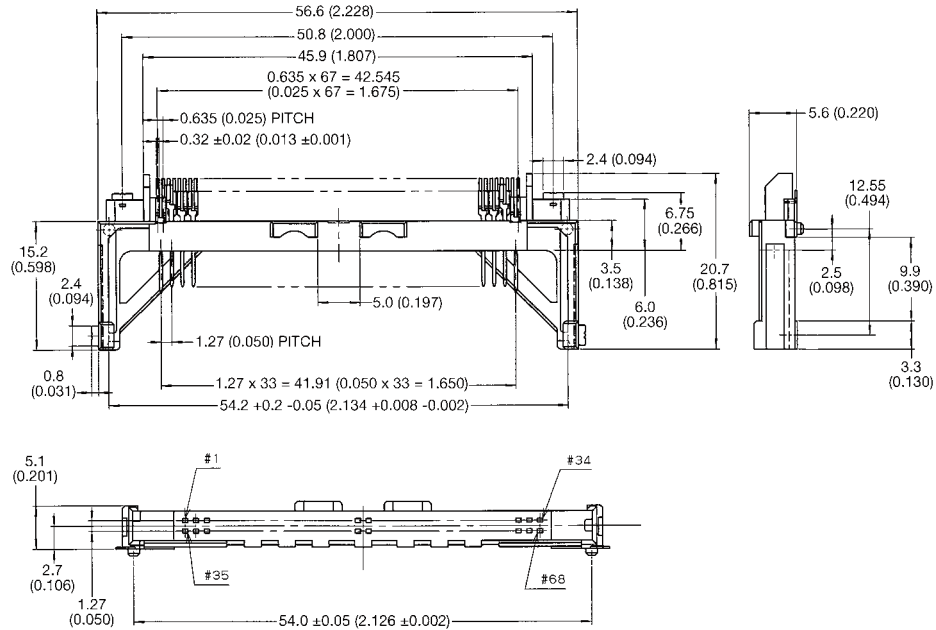


PCMCIA PC Memory Card Connectors



Series 5027 Header/Ejector Assembly H=0mm

CONNECTOR

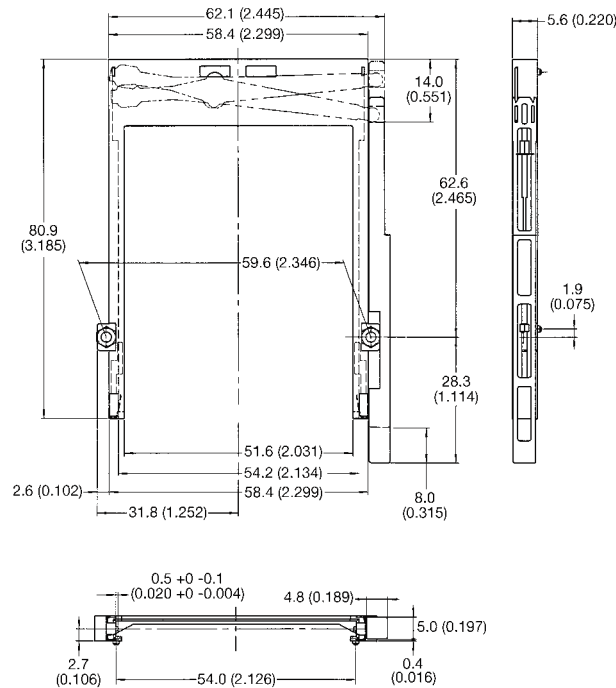


HOW TO ORDER

31 5027 068 010 871

Variation Code
See page 14

EJECTOR



HOW TO ORDER

30 5027 000 002 000

Variation Code
See page 14

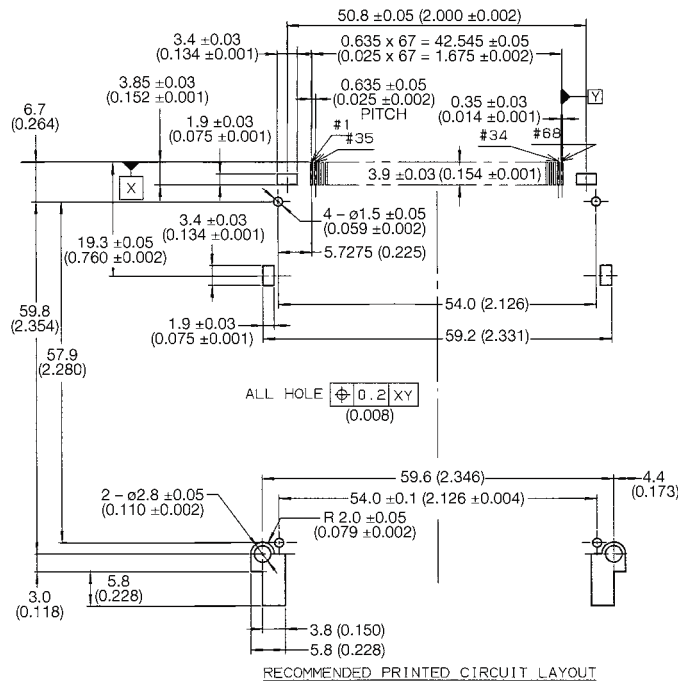
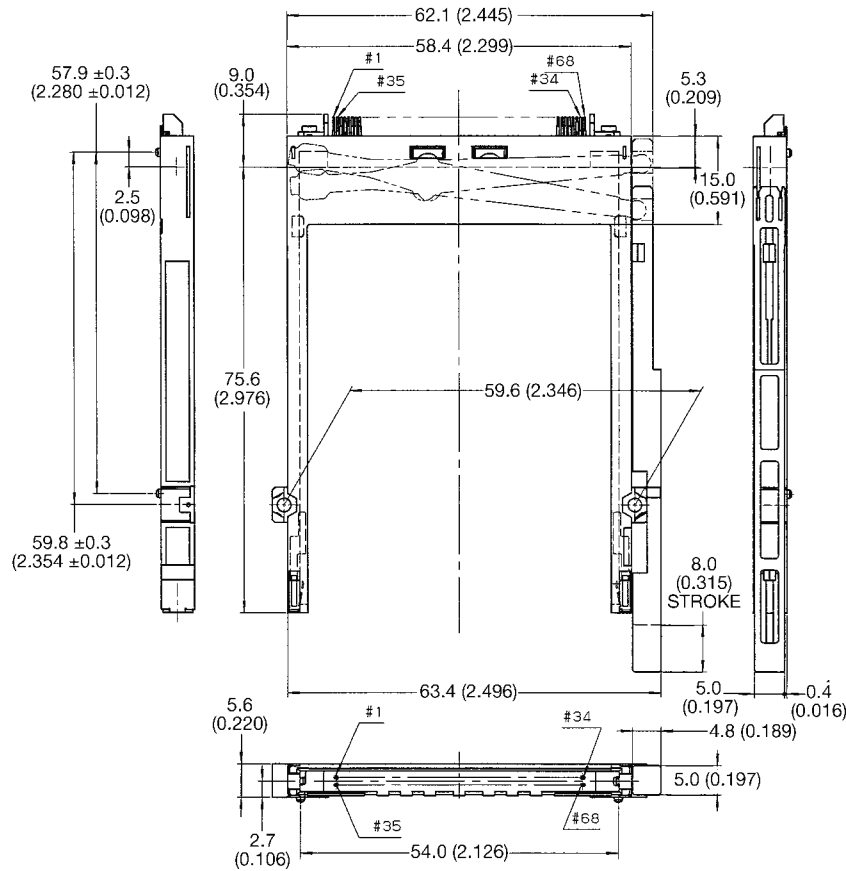


PCMCIA PC Memory Card Connectors



Series 5027 Header/Ejector H=0mm

ASSEMBLY



See page 14 for How To Order

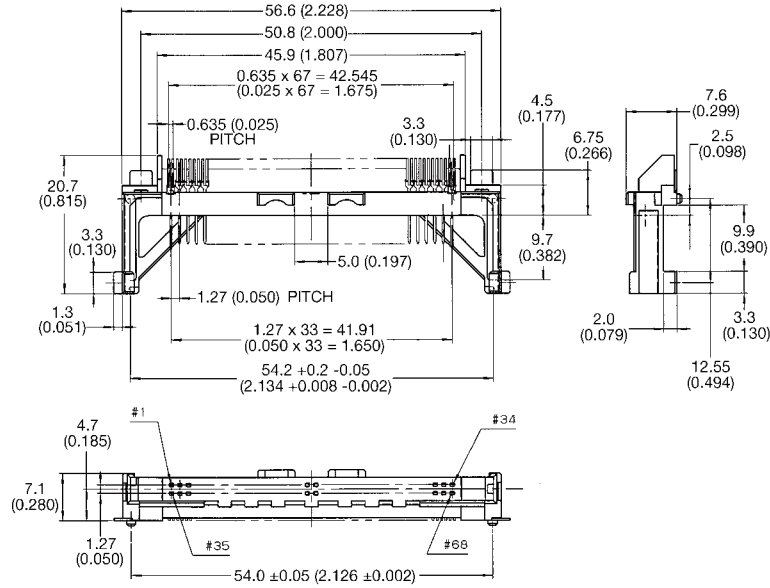


PCMCIA PC Memory Card Connectors



Series 5027 Header/Ejector H=2.2mm

CONNECTOR

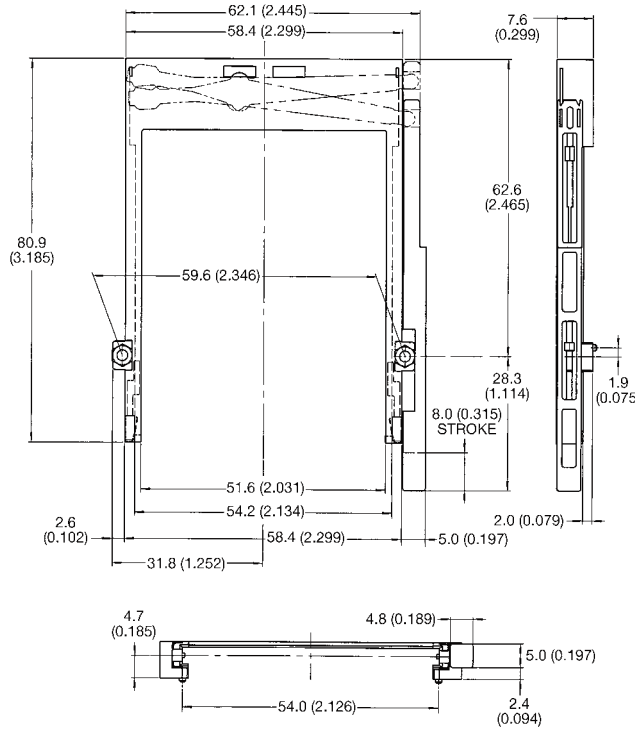


HOW TO ORDER

31 5027 068 110 871

Variation Code
See page 14

EJECTOR



HOW TO ORDER

30 5027 000 101 000

Variation Code
See page 14

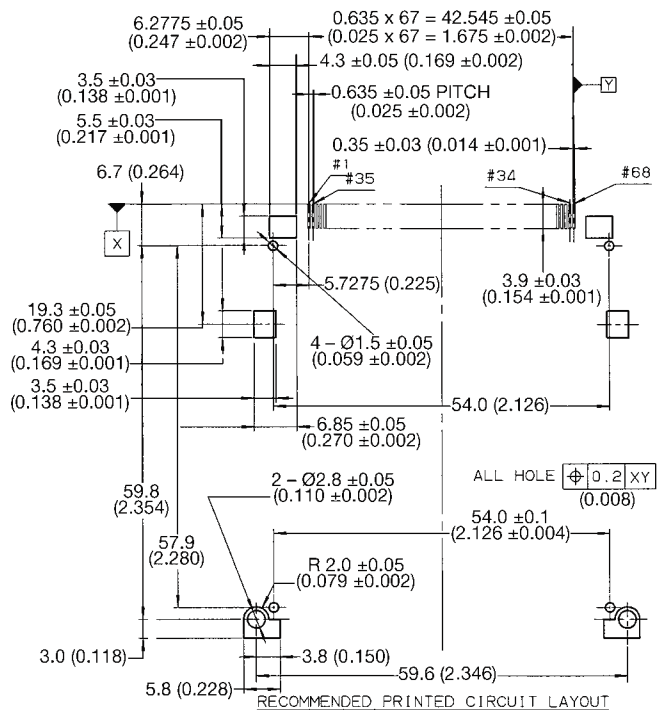
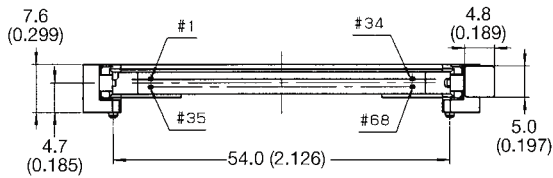
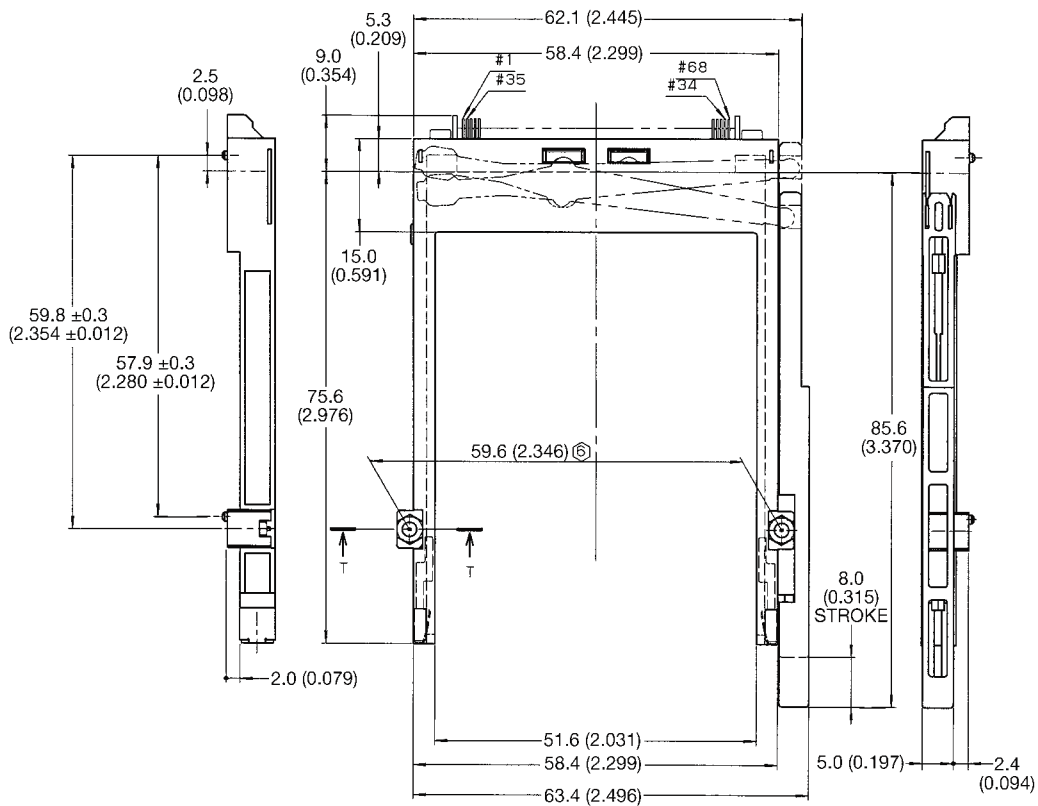


PCMCIA PC Memory Card Connectors



Series 5027 Header/Ejector H=2.2mm

ASSEMBLY



See page 14 for How To Order

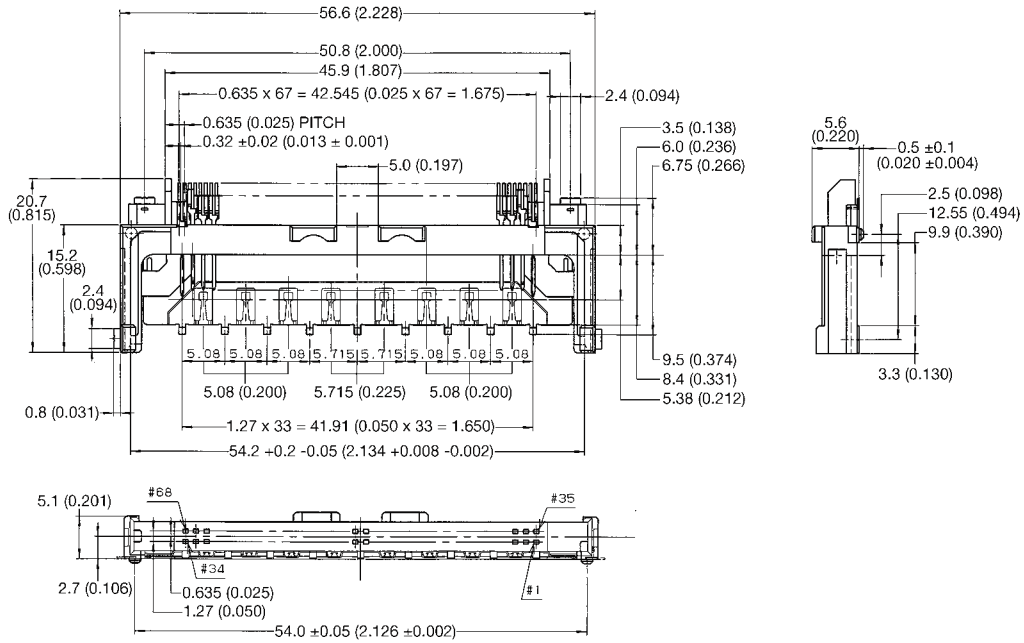


PCMCIA PC Memory Card Connectors



Series 5027 Card Bus SMT Connector Vacuum Cover H=0mm

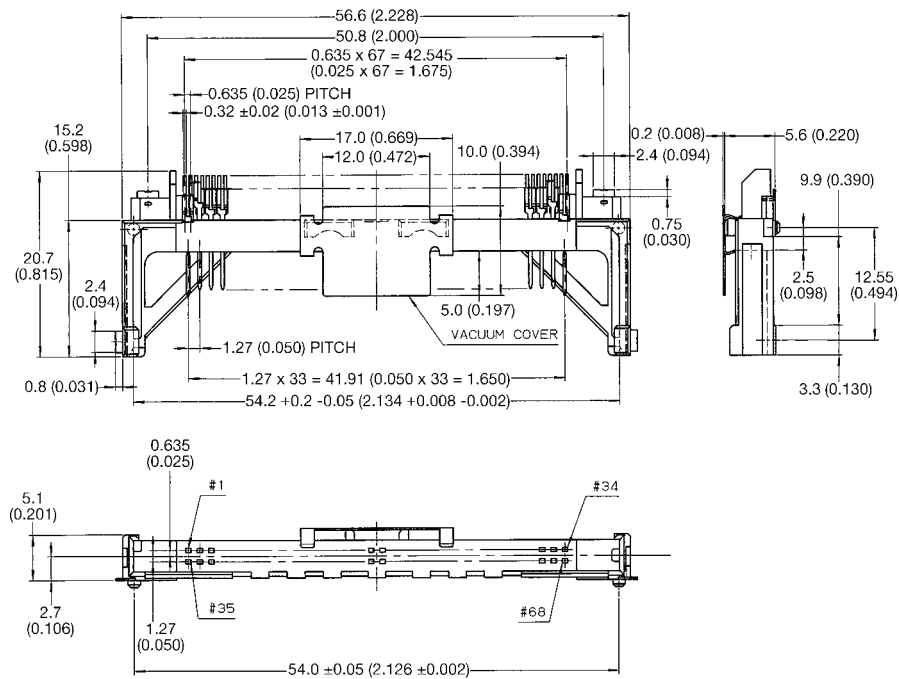
CARD BUS



HOW TO ORDER

31 5027 068 540 871

VACUUM COVER H=0MM



HOW TO ORDER

35 5027 068 030 871

