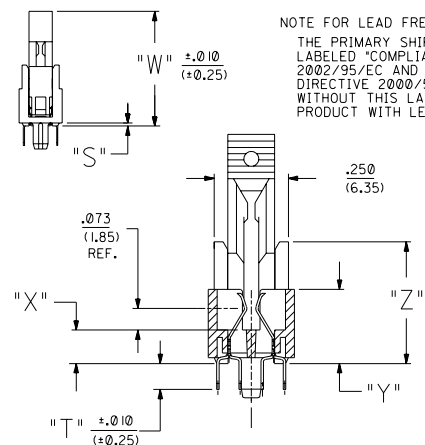


RECOMMENDED
P.C. BOARD HOLE PATTERN
(CONNECTOR SIDE)

- NOTES:
- CARD SLOT ACCEPTS $.050 \pm .004$ (1.27 ± 0.10) MODULE THICKNESS. (MEASURED OVER P.C. PADS).
 - ALL PEGS ARE INTERFERENCE FITS TO PCB UNLESS NOTED ON THE DWG.
 - REFER TO PRODUCT SPEC PS-71243-9999 FOR PERFORMANCE SPECIFICATIONS.
 - PRODUCT IS PACKAGED IN TRAYS.
 - RECOMMENDED MODULE LAYOUT SHALL BE PER JEDEC MO-167.
 - RECOMMENDED PLATING ON MODULE PADS: 30 MICROINCH/(0.76 MICROMETER) MINIMUM HARD GOLD (Au) OVER 79 MICROINCH/(2.0 MICROMETER) MINIMUM NICKEL (Ni).
 - PRODUCT WILL HAVE DATE CODE STAMPED ON SIDE OF HOUSING.

- MATERIALS:
- HOUSING - GLASS FILLED LIQUID CRYSTAL POLYMER (LCP), UL 94V-0, COLOR: BLACK.
 - TERMINAL - PHOSPHOR BRONZE
 - LATCHES - GLASS FILLED HIGH TEMPERATURE NYLON, UL 94V-0. LATCH AT PIN #1 END IS IVORY COLOR. LATCH AT OPPOSITE END IS BLACK COLOR.
- PLATING:
- CONTACT AREA: GOLD (Au) FLASH: THICKNESS=2-10 MICROINCH/(0.05-0.25 MICROMETER), OVER PALLADIUM-NICKEL (Pd-Ni): THICKNESS=30 MICROINCH/(0.76 MICROMETER) MINIMUM.
 - SOLDER TAILS: TIN (Sn): THICKNESS=150 MICROINCH/(3.81 MICROMETER) MINIMUM.
 - UNDERPLATE: NICKEL (Ni) OVER ENTIRE CONTACT.



SECTION "X-X"
SCALE 4:1

NOTE FOR LEAD FREE CONVERSION:
THE PRIMARY SHIPPING CARTON WILL BE LABELED "COMPLIANT TO RoHS DIRECTIVE 2002/95/EC AND ELV ANNEX II OF DIRECTIVE 2000/53/EC". CARTONS WITHOUT THIS LABEL MAY CONTAIN PRODUCT WITH LEAD.

G1	ADD LEAD FREE NOTE ECN#UDT2004-1732 DMORGAN 04/03/08
G	OBsolete 136 OKT ECN#UDT2000-0847 DMORGAN 00/03/23
F	CHG Sn-Pb THICKNESS ECN#UDT1999-0454 DMORGAN 99/08/03
E	REVISED PER ECR# U61133 96-10-1 LAURX
D	REVISED PER ECR# U50893 3-18-96 JCL
C	REVISED PER ECR# U60836 1-19-96 JCL
B	REVISED PER ECR# U51288 8-4-95 JCL
A	RMVD X, REVISED PER ECR# U50617 12-27-94 JCL
2	REVISED PER ECR# U50419 11-7-94 JCL
1	RELEASED PER ECR# U40711 DCB 10/79

DIMENSIONS SHOWN (METRIC) INCH		REVISIONS	
TOLERANCES UNLESS OTHERWISE SPECIFIED		REV. LTR. REVISIONS	
TOLERANCES ANGULAR ± 0.2°		MFG. SH. REV. LTR. REVISIONS	
DRAFT WHERE APPLICABLE MUST REMAIN WITHIN DIMENSIONS		REVISED PER ECR# U50617 12-27-94 JCL	
DRAFT WHERE APPLICABLE MUST REMAIN WITHIN DIMENSIONS		REVISED PER ECR# U50419 11-7-94 JCL	
DRAFT WHERE APPLICABLE MUST REMAIN WITHIN DIMENSIONS		REVISED PER ECR# U51288 8-4-95 JCL	
DRAFT WHERE APPLICABLE MUST REMAIN WITHIN DIMENSIONS		REVISED PER ECR# U60836 1-19-96 JCL	
DRAFT WHERE APPLICABLE MUST REMAIN WITHIN DIMENSIONS		REVISED PER ECR# U61133 96-10-1 LAURX	
DRAFT WHERE APPLICABLE MUST REMAIN WITHIN DIMENSIONS		REVISED PER ECR# U50893 3-18-96 JCL	
DRAFT WHERE APPLICABLE MUST REMAIN WITHIN DIMENSIONS		REVISED PER ECR# U51288 8-4-95 JCL	
DRAFT WHERE APPLICABLE MUST REMAIN WITHIN DIMENSIONS		REVISED PER ECR# U50617 12-27-94 JCL	
DRAFT WHERE APPLICABLE MUST REMAIN WITHIN DIMENSIONS		REVISED PER ECR# U50419 11-7-94 JCL	
DRAFT WHERE APPLICABLE MUST REMAIN WITHIN DIMENSIONS		REVISED PER ECR# U40711 DCB 10/79	

MOLEX INCORPORATED

SEE CHART SDA-71243-0

DATE 10/10/94

FILE NAME 57124381

NO DRAWING CONTAINS INFORMATION THAT IS PROPRIETARY TO MOLEX INC. AND SHOULD NOT BE USED WITHOUT WRITTEN PERMISSION. CP

X=N.T.	ITEM NUMBER 71243	CIRCUIT SIZE	DIA. 'A'	DIM 'A'	DIM 'B'	DIM 'C'	DIM 'D'	DIM 'E'	DIM 'F'	DIM 'G'	DIM 'H'	DIM 'P'	DIM 'S'	DIM 'T'	DIM 'W'	DIM 'X'	DIM 'Y'	DIM 'Z'
	-0001	128	.062 (1.57)	4.150 (105.41)	3.350 (85.09)	1.550 (39.37)	4.000 (101.60)	4.510 (114.56)	4.938 (125.42)	3.850 (97.79)	3.584 (91.03)	.155 (3.94)	.020 (0.51)	.127 (3.23)	.772 (19.61)	.113 (2.87)	.250 (6.35)	.410 (10.41)
	-0002	144	.062 (1.57)	4.550 (115.57)	3.750 (95.25)	1.750 (44.45)	4.400 (111.76)	4.910 (124.71)	5.338 (135.58)	4.250 (107.95)	3.984 (101.19)	.155 (3.94)	.020 (0.51)	.127 (3.23)	.772 (19.61)	.113 (2.87)	.250 (6.35)	.410 (10.41)
	-0003	200	.062 (1.57)	5.950 (151.13)	5.150 (130.81)	2.450 (62.63)	5.800 (147.32)	6.310 (160.28)	6.738 (171.14)	5.650 (143.51)	5.384 (136.75)	.155 (3.94)	.020 (0.51)	.127 (3.23)	.772 (19.61)	.113 (2.87)	.250 (6.35)	.410 (10.41)
	-0004	SEE DRAWING NUMBER SDA-71243-0004																
	-0005	200	.080 (2.03)	5.950 (151.13)	5.150 (130.81)	2.450 (62.63)	5.800 (147.32)	6.310 (160.28)	6.738 (171.14)	5.650 (143.51)	5.384 (136.75)	.140 (3.55)	.035 (0.89)	.112 (2.84)	.787 (19.99)	.128 (3.25)	.265 (6.73)	.425 (10.79)
X	-0006	104	.062 (1.57)	3.550 (90.17)	2.750 (69.85)	1.250 (31.75)	3.400 (86.36)	3.910 (99.31)	4.338 (110.19)	3.250 (82.55)	2.984 (75.79)	.155 (3.94)	.020 (0.51)	.127 (3.23)	.772 (19.61)	.113 (2.87)	.250 (6.35)	.410 (10.41)
	-0008	160	.062 (1.57)	4.950 (125.73)	4.150 (105.41)	1.950 (49.53)	4.800 (121.92)	5.310 (134.88)	5.738 (145.74)	4.650 (118.11)	4.384 (111.35)	.155 (3.94)	.020 (0.51)	.127 (3.23)	.772 (19.61)	.113 (2.87)	.250 (6.35)	.410 (10.41)
	-0009	SEE DRAWING NUMBER SDA-71243-0009																

