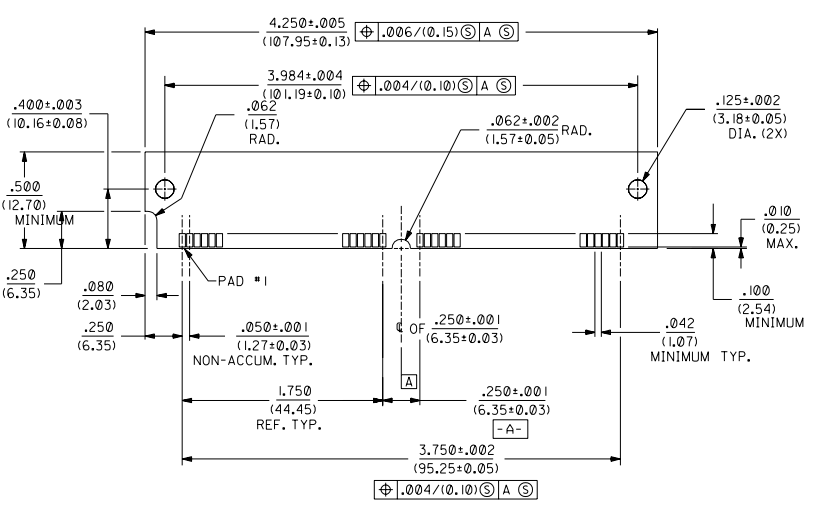


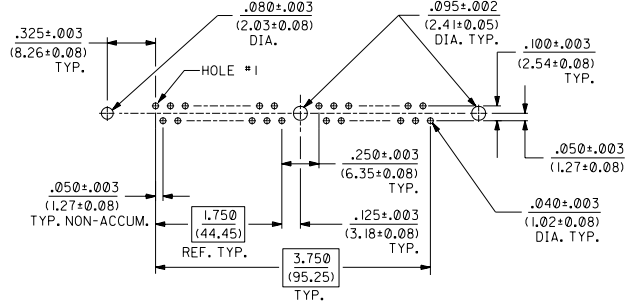
13 12 11 10 9 8 7 6 5 4 3 2 1



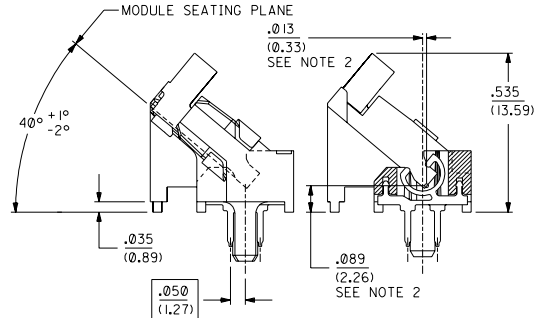
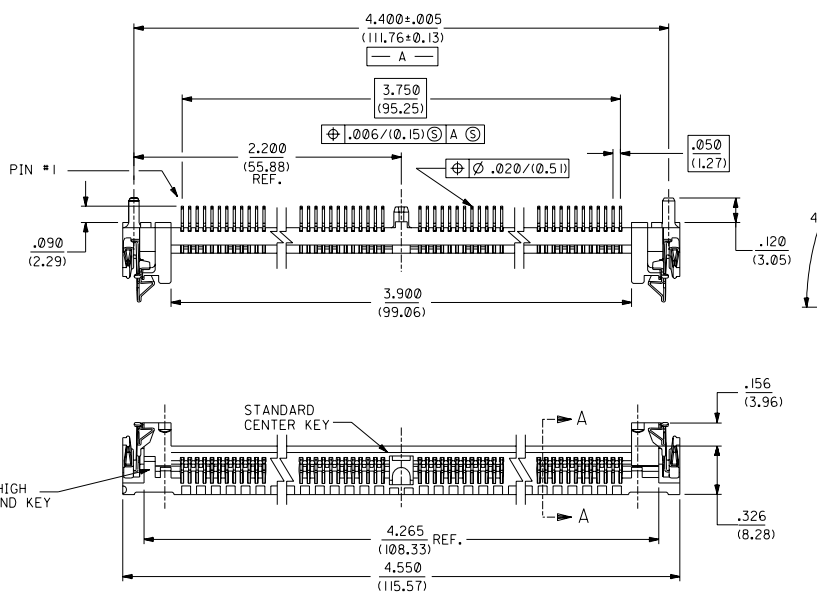
"SIMM" P.C. BOARD LAYOUT

- NOTES:
- CARD SLOT ACCEPTS P.C. BOARDS $.050 \pm .004 / -.003$ THICK, MEASURED OVER CONTACT PADS. $(1.27 \pm 0.10 / -0.08)$
 - LOCATION OF LOWER CORNER OF MODULE BOARD.
 - PRODUCT SPEC PS-78954 APPLIES.
 - CENTER PEG IS AN INTERFERENCE FIT TO RECOMMENDED P.C. BOARD HOLE.

MATERIALS:
 HOUSING: LCP, GLASS FILLED, 94V-0. COLOR: BLACK.
 LATCH: STAINLESS STEEL.
 TERMINAL: PHOSPHOR BRONZE, POST PLATED
 30 μ m / (1.076 μ m) MINIMUM GOLD IN CONTACT AREA AND
 150 μ m / (3.81 μ m) MINIMUM TIN IN TAIL AREA OVER
 75 μ m / (1.91 μ m) MINIMUM NICKEL OVERALL.
 THE PRIMARY SHIPPING CARTON WILL BE LABELED "COMPLIANT TO ROHS DIRECTIVE 2002/95/EC AND ELV ANNEX II OF DIRECTIVE 2000/53/EC". CARTONS WITHOUT THIS LABEL MAY CONTAIN PRODUCT WITH LEAD.



RECOMMENDED SOCKET P.C. BOARD HOLE PATTERN



END VIEW SECTION A-A SCALE 4:1 SCALE 4:1

K	LEAD FREE UCP2004-1562 RWWHITE 04/03/03	REVISED
J	PER ECN #U51293 GMV 7-25-95	REVISED
II	CORRECTED TEXT PER ECN #U50199 MJS 10-6-94	REVISED
I	.050 BASIC TAIL DIM. PER ECN #U50092 PDB 01-21-93	REVISED
H	.010 BLOCK TOL. WAS .050 PER ECN #U2930 PDB 08-27-92	REVISED
G	REMOVE TRACKING TOES PER ECN #U20978 PDB 06-29-92	REVISED
F	REVISED GEOMETRY PER ECN #U20157 PDB 02-10-92	REVISED
E	CORRECT HOLE PATTERN PER ECN #U1932 PDB 09-25-91	REVISED
D	REVISED SALES MASTER PER ECN #U1129 PDB 06-26-91	REVISED
C	PER ECN #U08060 PDB 11-06-90	REVISED
B	PER ECN #U0635 PDB 08-28-90	REVISED
A	RELEASE TO MFG. PER ERO #3024 PDB 07-30-90	REVISED

SALES ASSY. 72 CIRCUIT
 40° METAL LATCH HIGH KEY
 SINGLE ROW SIMM SOCKET

MOLEX INCORPORATED
 LITTLE ROCK, AR 72652 U.S.A.

15-82-0627 SDA-78976-7232

DATE: 07/30/90
 SHEET NO. 1 OF 1

REVISIONS

MFG.	SH.	REV.	LTR.	REVISIONS

REVISIONS ONLY ON CAD SYSTEM

SALES ASSY. 72 CIRCUIT 40° METAL LATCH HIGH KEY SINGLE ROW SIMM SOCKET

MOLEX INCORPORATED LITTLE ROCK, AR 72652 U.S.A.

15-82-0627 SDA-78976-7232

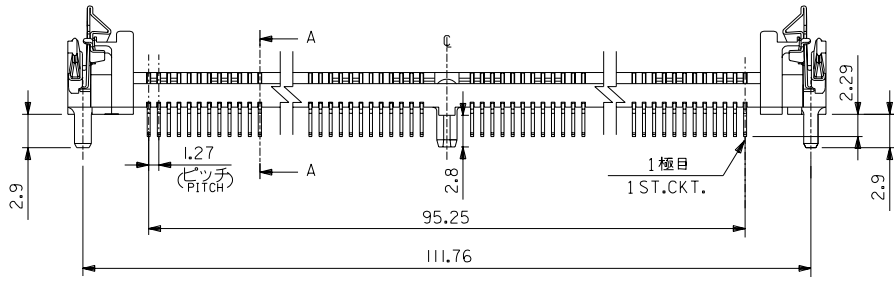
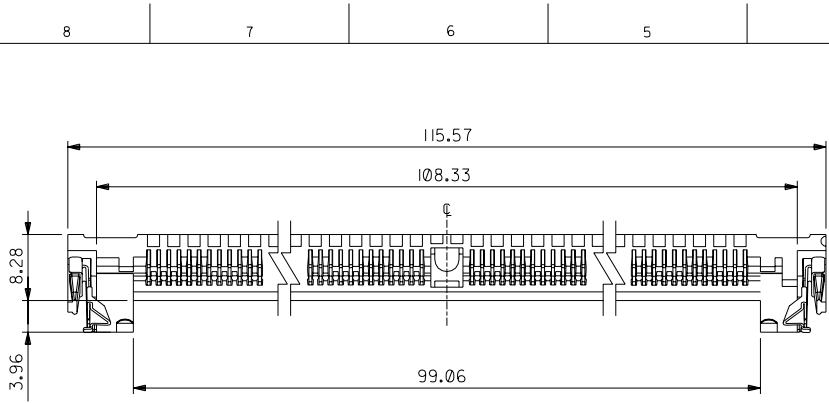
DATE: 07/30/90 SHEET NO. 1 OF 1

REVISIONS

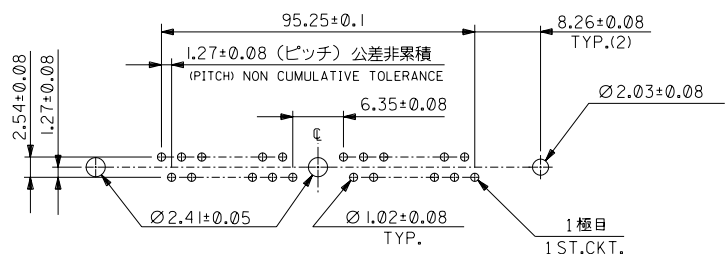
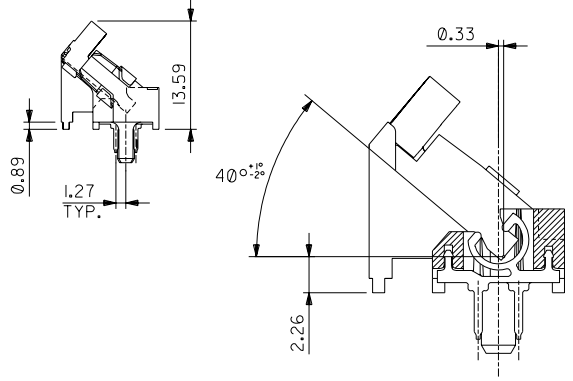
MFG.	SH.	REV.	LTR.	REVISIONS

REVISIONS ONLY ON CAD SYSTEM

13 12 11 10 9 8 7 6 5 4 3 2 1



注記 NOTES.
 1. 材料 MATERIAL
 1-1 ハウジング: ガラス入り耐熱樹脂 色:黒 UL94V-0
 HOUSING : G.F. HEAT RESISTANT PLASTIC COLOR:BLACK UL94V-0
 1-2 ターミナル: 燐青銅
 TERMINAL : PHOSPHOR BRONZE
 1-3 ラッチ : ハネ用ステンレス鋼
 LATCH : STAINLESS SPRING STEEL
 2. メッキ仕様 (ターミナル)
 PLATING(TERMINAL)
 接点部 : 金メッキ 0.76μm MIN.
 CONTACT AREA:GOLD 0.76 MICROMETER MINIMUM
 半田付け部: 錫メッキ 3.81μm MIN.
 SOLDER TAIL AREA:TIN 3.81 MICROMETER MINIMUM
 下地メッキ: ニッケルメッキ 1.91μm MIN.
 UNDER-PLATING:NICKEL 1.91 MICROMETER MINIMUM



基板取付穴推奨寸法
 RECOMMENDED PCB LAYOUT
 (部品実装側)
 (VIEW ON COMPONENT SIDE)

角度 ANGLE	±3°
30 以上 OVER	+0.3
10 以上 30 未満 UNDER	+0.25
10 未満 UNDER	+0.2
一般公差 GENERAL TOLERANCES	

材料 MATERIAL	注記参照 SEE NOTES
仕上げ FINISH	注記参照 SEE NOTES
適用電線範囲 WIRE RANGE	—
被覆外径 INS. RANGE	—
記号 LTR	変更内容 REVISION RECORD
DR. DATE	CHK. DATE

DRAWN BY	CHK'D BY
APP'D BY	SCALE 2 - 1

78976-7232	72
MATERIAL NO.	CIRCUIT 種数
製品番号	種数
MOLEX-JAPAN CO.,LTD. 日本モレックス株式会社	
REVISE ONLY ON CAD SYSTEM	
TITLE 名称 40 DEG. SIMM SOCKET 72 CIRCUIT W/METAL LATCH -LEAD FREE-	
DWG. NO. SDA-78976-7232	REV A

THIS DRAWING CONTAINS INFORMATION THAT IS PROPRIETARY TO MOLEX(JAPAN) AND SHOULD NOT BE USED WITHOUT WRITTEN PERMISSION
 本図面は日本モレックス(株)の所有する情報を含むもので 当社の許可なく複製を禁止する。 EN-01C(032)MXJ-32