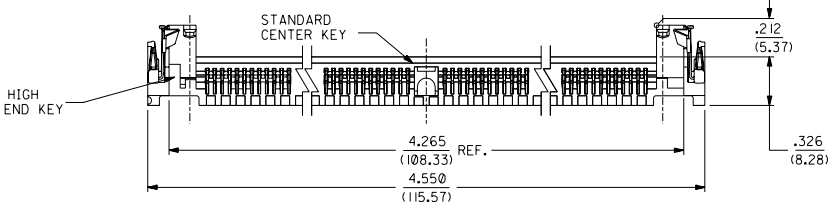
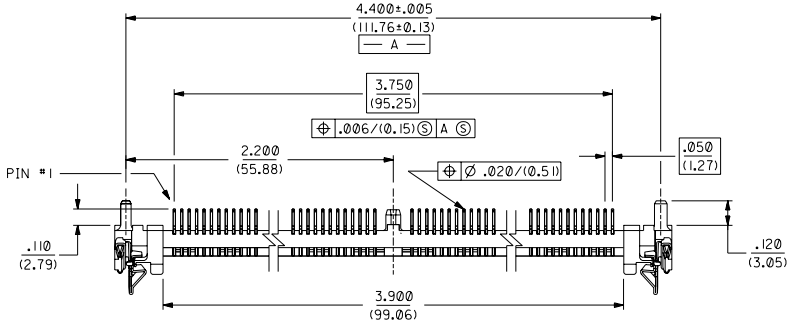


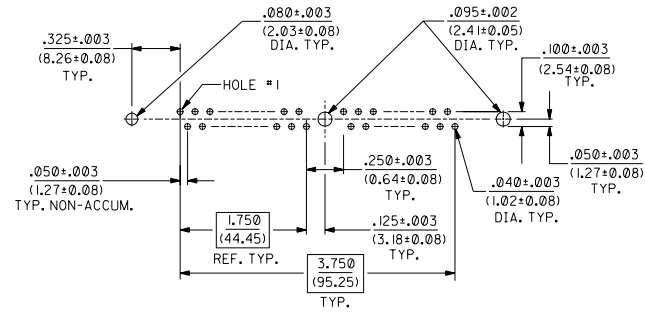
"SIMM" P.C. BOARD LAYOUT



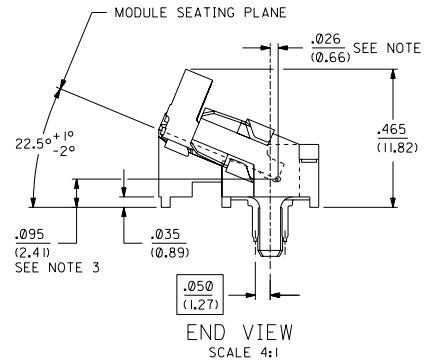
NOTES:
 1. CARD SLOT ACCEPTS P.C. BOARDS .050 ±.004/-0.003 THICK, MEASURED OVER CONTACT PADS. (1.27 ±0.10/-0.08)
 2. PRODUCT SPEC PS-78954 APPLIES.
 3. LOCATION OF LOWER CORNER OF MODULE BOARD.
 4. CENTER PEG IS AN INTERFERENCE FIT TO RECOMMENDED P.C. BOARD HOLE.

MATERIALS:
 HOUSING: LCP, GLASS FILLED, 94V-0. COLOR: BLACK.
 LATCH: STAINLESS STEEL.
 TERMINAL: PHOSPHOR BRONZE, POST PLATED
 30μIN./(.76μm) MIN. GOLD IN CONTACT AREA AND 150μIN./(3.81μm) MIN. TIN IN TAIL AREA OVER 75μIN./(1.91μm) MIN. NICKEL OVERALL.

*THE PRIMARY SHIPPING CARTON WILL BE LABELED "COMPLIANT TO RoHS DIRECTIVE 2002/95/EC AND ELV ANNEX II OF DIRECTIVE 2000/53/EC". CARTONS WITHOUT THIS LABEL MAY CONTAIN PRODUCT WITH LEAD.



RECOMMENDED SOCKET P.C. BOARD HOLE PATTERN



REV.	DATE	DESCRIPTION
L		LEAD FREE LCP P-004-562 RW WHITE 04/02/25
K		REVISED PER ECR #151994 GMV 7-24-95
J		REVISED PEG LENGTH PER ECR #130751 MJS 6-8-93
I		REMOVED TRACKING TOES PER ECR #100914 PDB 06-17-92
H		REVISED NOTES PER ECR #11964 PDB 10-03-91
G		CORRECT HOLE PATTERN PER ECR #11922 PDB 09-25-91
F		REVISED MASTER PER ECR #110822 PDB 09-04-91
E		ISO WAS .120 PER ECR #110303 PDB 01-22-91
D		REVISED PER ECR #100846 PDB 10-25-90
C		REVISED PER ECR #100520 PDB 08-24-90
B		REVISED PER ECR #100635 PDB 08-20-90
A		RELEASE TO MFG. PER ERO #30233 PDB 08-07-90

SALES ASSEMBLY
 22.5° METAL LATCH HIGH KEY
 SINGLE ROW SIMM SOCKET

MOLEX INCORPORATED
 15-82-0675 SDA-78964-7232

DATE: 08/07/90
 SHEET NO: 1 OF 1

SCALE: 2:1

REVISIONS

REV.	DATE	DESCRIPTION
1	08/07/90	RELEASE TO MFG. PER ERO #30233 PDB 08-07-90