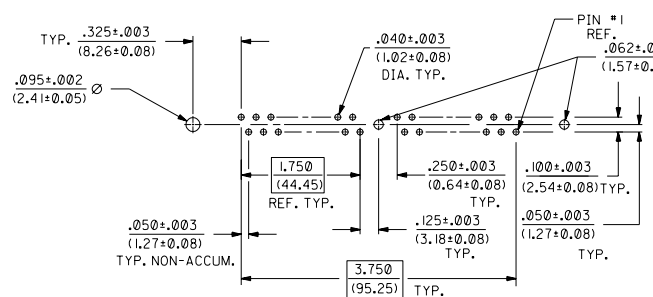


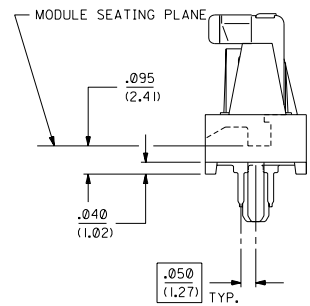
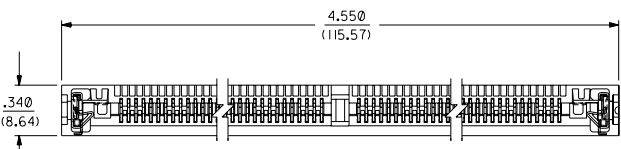
"SIMM" P.C. BOARD LAYOUT

- NOTES:
- CARD SLOT ACCEPTS .050 +.004/-.003 P.C. BOARDS (MEASURED OVER P.C. PADS).
  - PRODUCT SPEC PS-78954 APPLIES
  - CENTER PEG IS AN INTERFERENCE FIT TO PCB UNLESS NOTED ON THE DWG. (APPLICABLE ONLY IF PART HAS A CENTER PEG FEATURE)

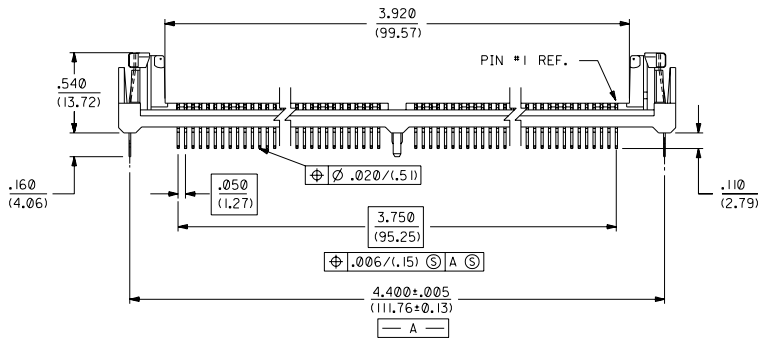
MATERIALS:  
 HOUSING- LCP, GLASS FILLED, 94V-0, COLOR: BLACK  
 TERMINAL- PHOSPHOR BRONZE  
 PLATING- POST PLATED 30 μin/(0.76 μm) MINIMUM GOLD IN CONTACT AREA AND 150 μin/(3.81 μm) MINIMUM TIN IN TAIL AREA OVER 75 μin/(1.91 μm) MINIMUM NICKEL OVERALL.  
 \* REFERENCE NOTE IN LOWER LEFT CORNER OF DRAWING.  
 METAL LATCH- STAINLESS STEEL



RECOMMENDED SOCKET P.C. BOARD HOLE PATTERN



END VIEW SCALE 4:1



\*THE PRIMARY SHIPPING CARTON WILL BE LABELED "COMPLIANT TO RoHS DIRECTIVE 2002/95/EC AND ELV ANNEX II OF DIRECTIVE 2000/53/EC" CARTONS WITHOUT THIS LABEL MAY CONTAIN PRODUCT WITH LEAD.

D	LEAD FREE UCP2004-1582 RWHITE 04/02/24
C	REVISED PER ECP# US1389 GMY 8-18-95
B	REDRAWN PER ECR U20649 AMD 6-10-92
A	RELEASE FOR MFG. PER ERO 3056B SEC 10-26-90

DIMENSIONS SHOWN (METRIC) INCH		MFG. SH. REV. LTR. REVISIONS	
SALES: OVERSIZE SPECIFIED TOLERANCES ANGULAR ± 1/2°		REVISION ONLY ON CAD SYSTEM	
INCH METRIC		TITLE	
± .010	---	SALES ASSEMBLY	
± .014	± 0.25	REV. ROTATION METAL LATCH	
---	± 0.35	VERTICAL SIMM SOCKET	
DRAFT WHERE APPLICABLE MUST REMAIN WITHIN DIMENSIONS		MOLEX INCORPORATED SHEET NO. DATE	
PART NO. 15-82-0788		U.S.A. 10/26/90	
DRG. NO. SDA-78962-7236		REV. DATE	
SEC	SCALE 2:1	DA	