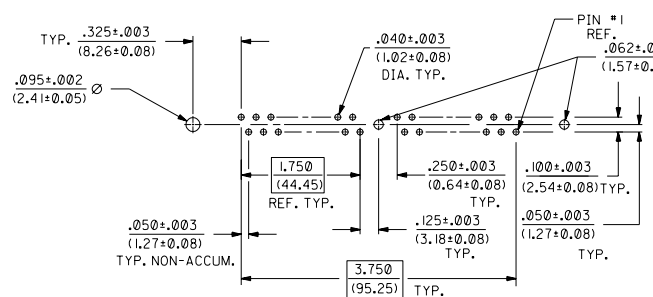


"SIMM" P.C. BOARD LAYOUT

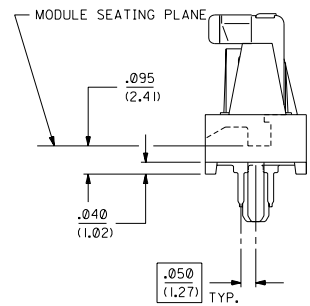
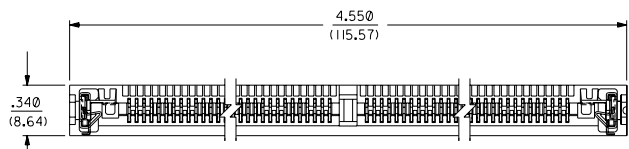
- NOTES:
1. CARD SLOT ACCEPTS .050 ± .004 / -.003 P.C. BOARDS (MEASURED OVER P.C. PADS).
  2. PRODUCT SPEC PS-78954 APPLIES
  3. CENTER PEG IS AN INTERFERENCE FIT TO PCB UNLESS NOTED ON THE DWG. (APPLICABLE ONLY IF PART HAS A CENTER PEG FEATURE)

MATERIALS:

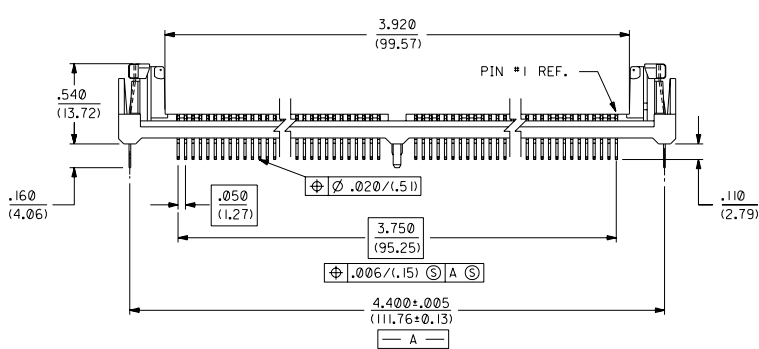
- HOUSING- LCP, GLASS FILLED, 94V-0, COLOR: BLACK
- TERMINAL- PHOSPHOR BRONZE
- PLATING- POST PLATED 200 μin / (5.08 μm) MINIMUM TIN IN CONTACT AREA AND 150 μin / (3.81 μm) MINIMUM TIN IN TAIL AREA OVER 50 μin / (1.27 μm) MINIMUM NICKEL OVERALL
- \* REFERENCE NOTE IN LOWER LEFT CORNER OF DRAWING.
- METAL LATCH- STAINLESS STEEL



RECOMMENDED SOCKET P.C. BOARD HOLE PATTERN



END VIEW SCALE 4:1



\*THE PRIMARY SHIPPING CARTON WILL BE LABELED "COMPLIANT TO RoHS DIRECTIVE 2002/95/EC AND ELV ANNEX II OF DIRECTIVE 2000/53/EC" CARTONS WITHOUT THIS LABEL MAY CONTAIN PRODUCT WITH LEAD.

REV.	REVISIONS
E	LEAD FREE UICP2004-1562 RWWHITE 04/02/24
D	REVISED PER ECR* US 1309 CMY 8-18-95
C	REDRAWN PER ECR U20649 AMO 6-18-92
B	REVISED/UPDATED PER ECR U0 0041 SEC 9-21-90
A	ADDED EDP PER ECR 30152 KER 7-23-90
I	X - RELEASE PER ERO* 30151 7-16-90

DIMENSIONS SHOWN (METRIC) INCH		MFG. SH. REV. LTR. REVISIONS	
SALES OVERVIEW SPECIFIED TOLERANCES ANGULAR ± 0.2°		REVISE ONLY ON CAD SYSTEM	
INCH	METRIC	TITLE	
3 PLACE ± .010	---	SALES ASSEMBLY	
2 PLACE ± .014 ± 0.25	---	REV. ROTATION METAL LATCH	
1 PLACE --- ± 0.35	---	VERTICAL SIMM SOCKET	
DRAFT WHERE APPLICABLE MUST REMAIN WITHIN DIMENSIONS		MOLEX INCORPORATED SHEET NO. DATE	
MOLEX INCORPORATED U.S.A.		15-82-0777 SDA-78962-7233	
DRG. NO. 69532	DRG. NO. SDA-78962-7233	FILE NAME	DATE
BY KER	BY	578962X40	07/16/90
SCALE 2:1	NO DRAWING CONTAINS INFORMATION THAT IS PROPRIETARY TO MOLEX INC. AND SHOULD NOT BE USED WITHOUT WRITTEN PERMISSION.	APP'D.	DA