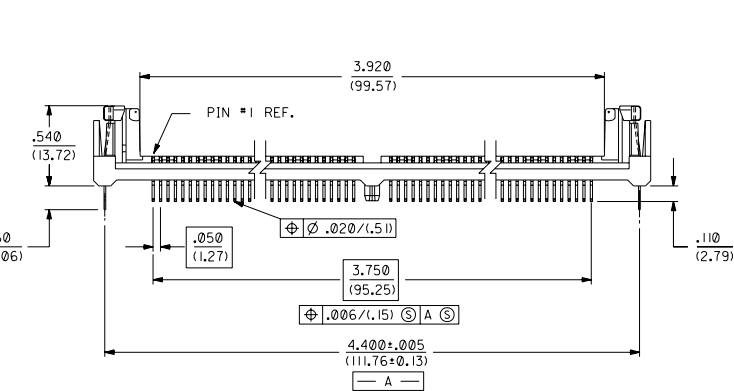
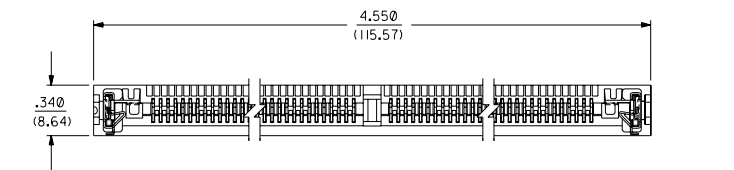
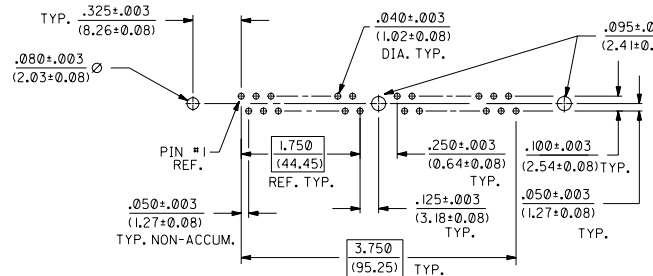


"SIMM" P.C. BOARD LAYOUT

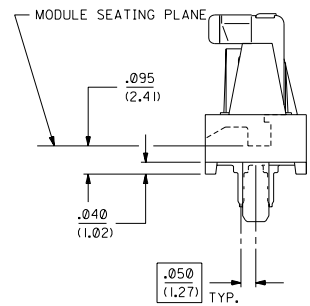


- NOTES: 1. CARD SLOT ACCEPTS .050 ±.004/-.003 P.C. BOARDS (MEASURED OVER P.C. PADS).
 2. PRODUCT SPEC PS-78954 APPLIES
 3. CENTER PEG IS AN INTERFERENCE FIT TO PCB UNLESS NOTED ON THE DWG. (APPLICABLE ONLY IF PART HAS A CENTER PEG FEATURE)

MATERIALS:
 HOUSING- LCP, GLASS FILLED, 94V-0, COLOR: BLACK
 TERMINAL- PHOSPHOR BRONZE
 PLATING- POST PLATED 200 μm (5.08 μm) MINIMUM TIN IN CONTACT AREA AND 150 μm (3.81 μm) MINIMUM TIN IN TAIL AREA OVER 50 μm (1.27 μm) MINIMUM NICKEL OVERALL
 * REFERENCE NOTE IN LOWER LEFT CORNER OF DRAWING.
 METAL LATCH- STAINLESS STEEL



RECOMMENDED SOCKET P.C. BOARD HOLE PATTERN



END VIEW SCALE 4:1

*THE PRIMARY SHIPPING CARTON WILL BE LABELED "COMPLIANT TO RoHS DIRECTIVE 2002/95/EC AND ELV ANNEX II OF DIRECTIVE 2000/53/EC" CARTONS WITHOUT THIS LABEL MAY CONTAIN PRODUCT WITH LEAD.

78962	
G	LEAD FREE UCP2004-1582 WHITE 04/02/24
F	REVISED PER ECN# U51309 GMY 8-18-95
E	CHG. TAIL LENGTH PER ECN U6-002 DRS 07/28/95
D	CHG. TAIL LENGTH PER ECN U5-1246 DRS 06/13/95
C	REDRAWN PER ECR U20649 AMO 6-10-92
B	REVISED/UPDATED PER ECR U0 0047 SEC 9-21-90
A	ADDED EDP PER ERO 30152 KER 7-23-90
I	X-RELEASE PER ERO 30151 KER 7-13-90
MFG. SH. REV. LTR. REVISIONS	

SALES ASSEMBLY 72 CIRCUIT, METAL LATCH VERTICAL SIMM SOCKET

MOLEX INCORPORATED

15-82-0775 SDA-78962-7231

DATE 07/13/90

FILE NAME 578962x39

NO DRAWING CONTAINS INFORMATION THAT IS PROHIBITED BY DA