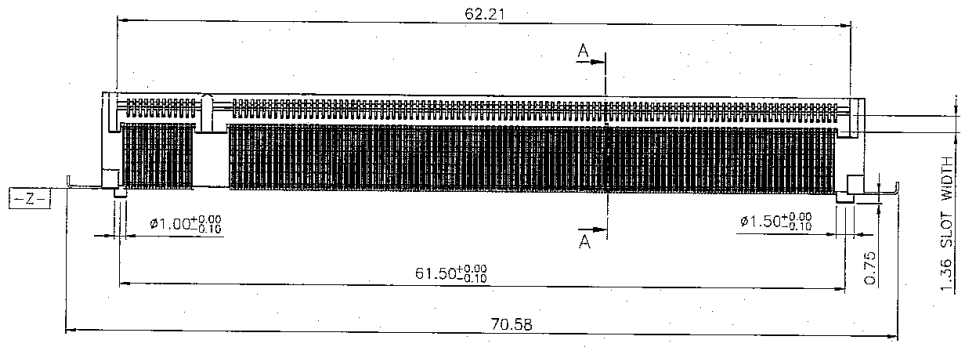
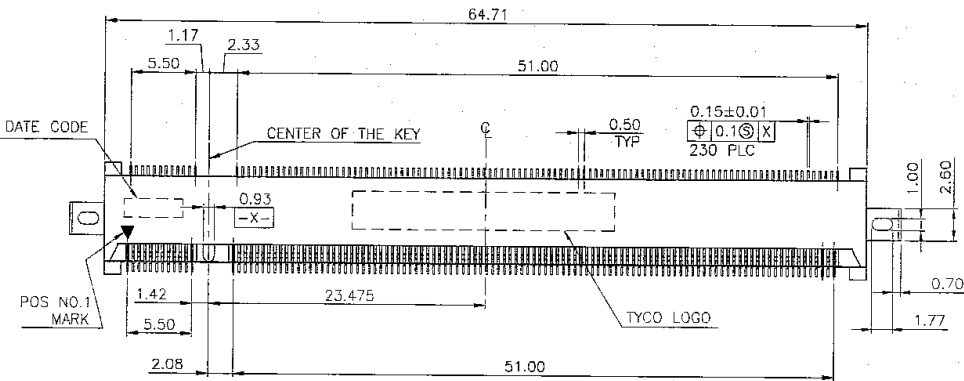
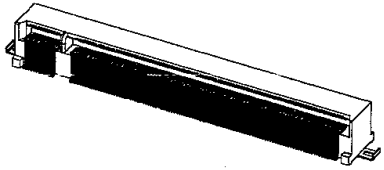
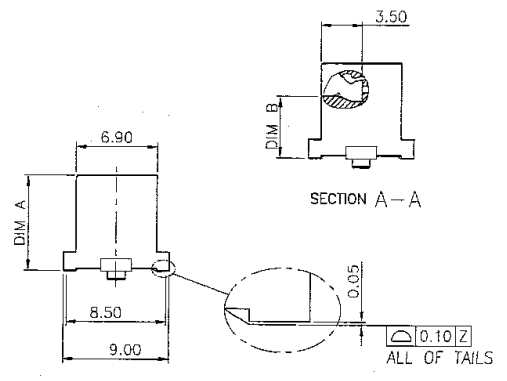


NUMBER C-1775063
METRIC
3RD ANGLE PROJECTION



NOTE:

- MATERIAL:
HOUSING: THERMOPLASTIC (LCP) WITH 30% GF, UL 94V-0.
COLOR: (SEE TABLE)
CONTACTS: PHOSPHOR BRONZE.
SOLDER PEG: BRASS.
- FINISH:
CONTACTS: GOLD PLATED (SEE TABLE) OVER 1.27μm [50μ'] MIN. NICKEL ON ENTIRE CONTACT.
SOLDER PEG: 2.54μm [100μ'] MIN. MATTE-TIN OVER 1.27μm [50μ'] MIN. NICKEL.
- REFLOW SOLDER CAPABLE TO 260°C AS PER TYCO SPEC. 109-201, CONDITION B.



MIN. GOLD THICKNESS	HSG. COLOR	WEIGHT	DIM A	DIM B	PART NUMBER
0.318μm [15μ']	WHITE	3.6 g	5.18	2.7	1775063-8
		5.6 g	7.63	5.0	1775063-7
	BLACK	3.6 g	5.18	2.7	1775063-6
		5.6 g	7.63	5.0	1775063-5
GOLD FLASH	WHITE	3.6 g	5.18	2.7	1775063-4
		5.6 g	7.63	5.0	1775063-3
	BLACK	3.6 g	5.18	2.7	1775063-2
		5.6 g	7.63	5.0	1775063-1

TOLERANCES UNLESS OTHERWISE SPECIFIED: DIM. IN PARENS FRACTIONS DECIMALS ANGLES	OWN A. WU 18-MAY-2007	Tyco Electronics Corporation Taipet, Taiwan NAME
MATERIAL SEE NOTE 1.	CHK S. HOU 18-MAY-2007	
FINISH SEE NOTE 2.	APVD W.J. KE 18-MAY-2007	BOARD TO BOARD CONNECTOR, 230 POSITION
QUALIFICATION TEST REPORT 801-57630	PRODUCT SPEC 108-57544	LOC SIZE DRAWING NO DW A3 C-1775063
WEIGHT SEE TABLE	REVISION RECORD	SCALE --
		SHEET 1 OF 4

REV	DESCRIPTION	DATE	BY	CHK
A1	REVISE TOLERANCES	ECR-07-011779	AW	SH
A	REVISE PACKAGING	ECR-06-017404	AW	SH
O	FIRST RELEASED	--	AW	SH
LTR	REVISION RECORD	ECN	OWN	CHK

THE INFORMATION ON THIS DRAWING IS UNCLASSIFIED AND IS BEING RELEASED TO THE PUBLIC WITHOUT RESTRICTIONS. ANY REPRODUCTION OF THIS INFORMATION IS UNRESTRICTED. THIS INFORMATION IS NOT TO BE USED FOR THE DESIGN OF NEW PRODUCTS. DIMENSIONS IN MILLIMETERS. DO NOT SCALE PRINT.

PRINT DW

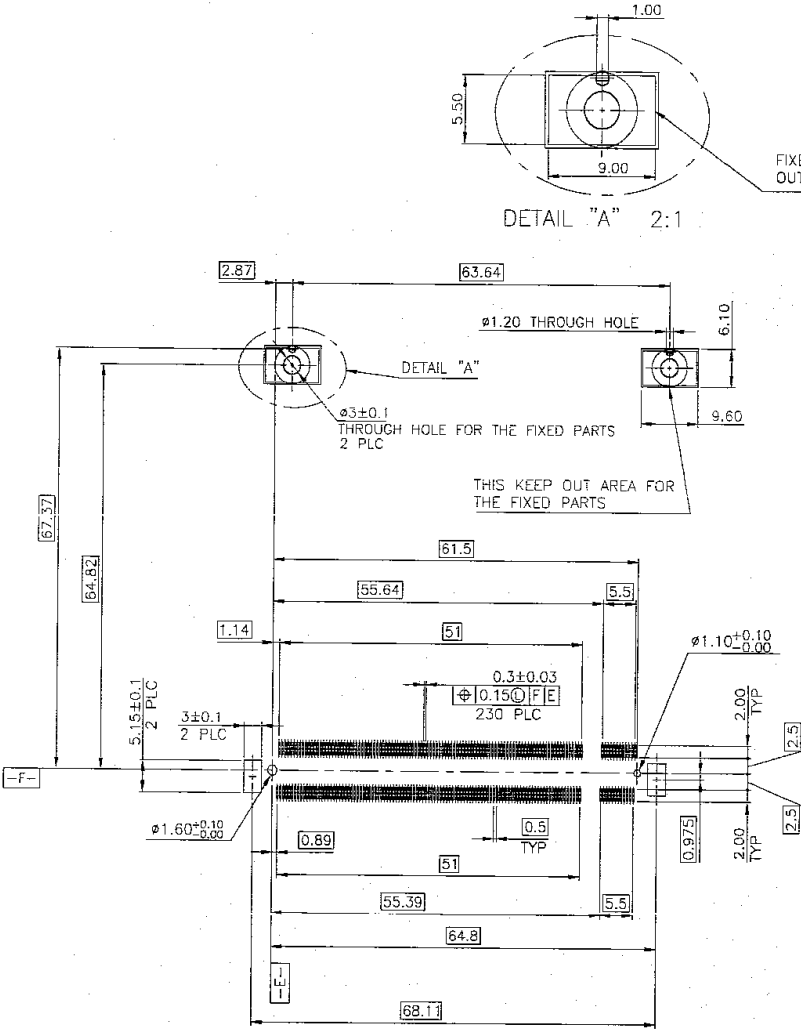
NUMBER C-1775063

3RD ANGLE PROJECTION

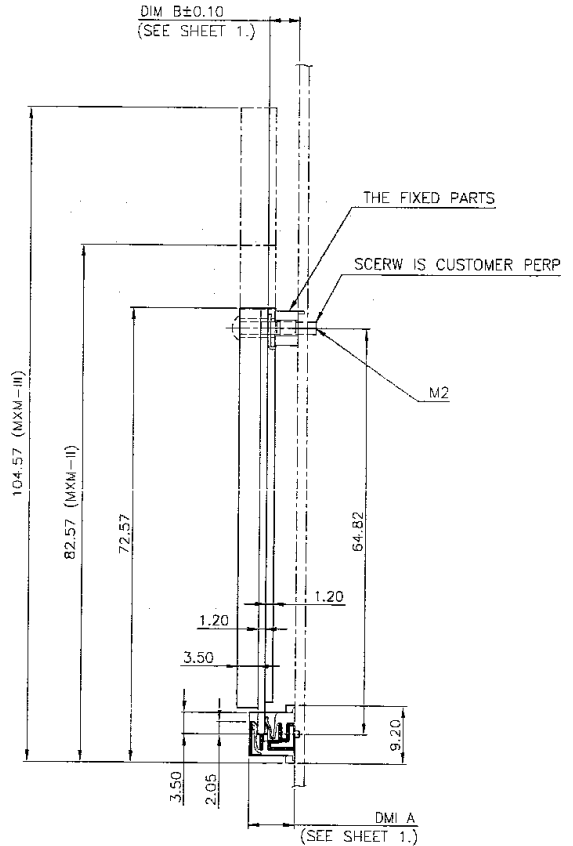
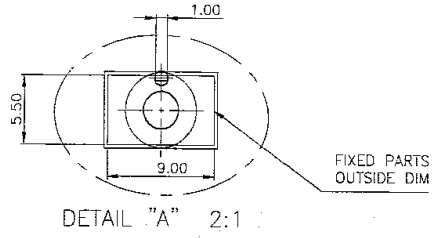
METRIC

THE INFORMATION IS FOR REFERENCE ONLY AND IS NOT TO BE USED TO MANUFACTURE OR ASSEMBLE ANY PARTS WITHOUT WRITTEN AUTHORIZATION FROM AMP (Taiwan) LTD. DIMENSIONS IN MILLIMETERS. DO NOT SCALE PRINT.

PRINT DIST DW



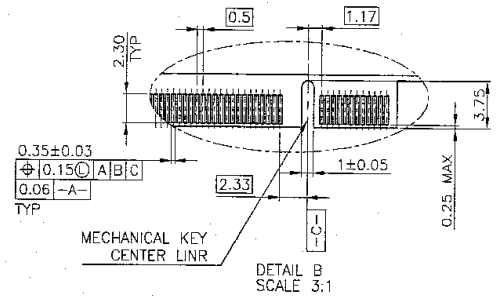
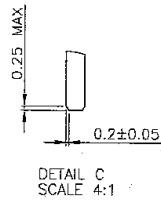
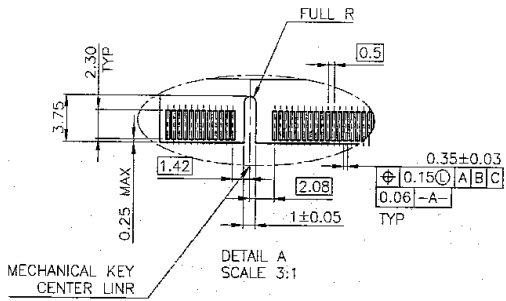
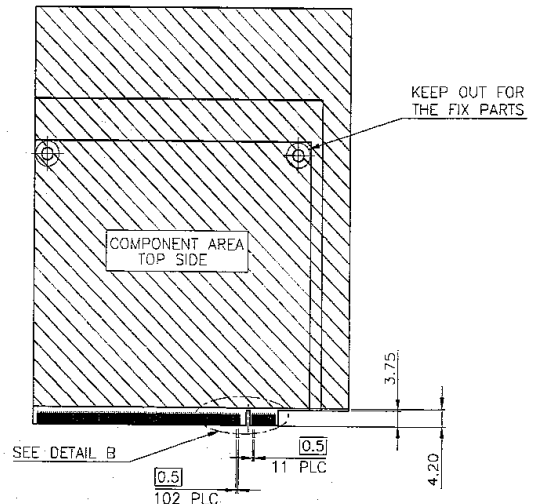
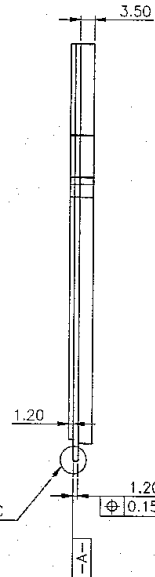
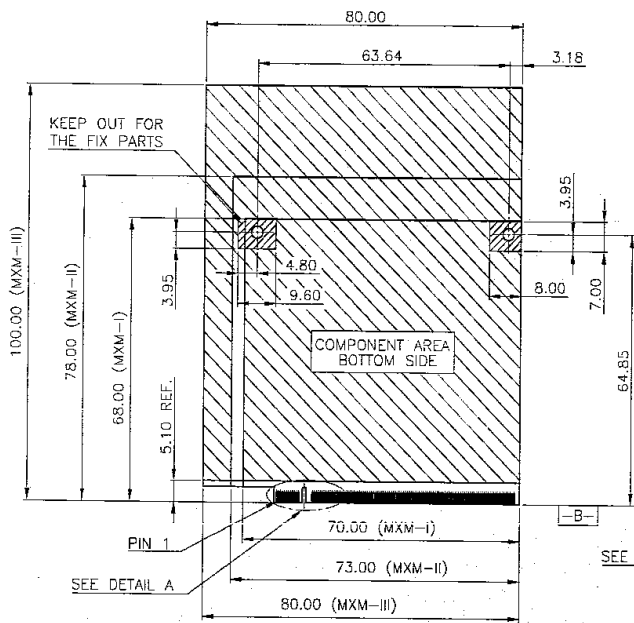
RECOMENDED PCB LAYOUT



SEE SHEET 1.	ECN	DWN	CHK	DATE
LTR	REVISION RECORD			

TOLERANCES UNLESS OTHERWISE SPECIFIED: 0 PL ±0.1 1 PL ±0.1 2 PL ±0.1 3 PL ±0.25 ANGLES ±1	DWN A. WU 18-MAY-2007	CHK S. HOU 18-MAY-2007	APVD W.J. KE 18-MAY-2007	LOC DW SCALE	SIZE A3	DRAWING NO C-1775063	REV A1
MATERIAL			PRODUCT SPEC			BOARD TO BOARD CONNECTOR, 230 POSITION	
FINISH			QUALIFICATION TEST REPORT				
			WEIGHT				
				ISHEET		2 OF 4	

CUSTOMER DRAWING



RECOMMENDED PCB MOUNTING LAYOUT
TOLERANCE ±0.05

TOLERANCES UNLESS OTHERWISE SPECIFIED:		DWN	A. WU	tyco	Tyco Electronics Corporation
0 PLC ±	1 PLC ±0.3	18-MAY-2007	S. HOU	Electronics	Taipei, Taiwan
2 PLC ±0.25	3 PLC ±0.2	18-MAY-2007	NAME		
ANGLES ±°			APVD	W. J. KE	BOARD TO BOARD CONNECTOR,
			PRODUCT SPEC	18-MAY-2007	230 POSITION
			QUALIFICATION TEST REPORT	LDC	SIZE
			WEIGHT	DW	DRAWING NO
				SCALE	C-1775063
					REV
					A1
					3 OF 4

SEE SHEET 1.	ECN	DWN	CHK	DATE
LTR	REVISION RECORD			

THIS DRAWING IS THE PROPERTY OF TYCO ELECTRONICS CORPORATION AND IS LOANED TO YOU ON THE CONDITION THAT YOU WILL NOT REPRODUCE OR TRANSMIT IT IN ANY MANNER WITHOUT WRITTEN AUTHORIZATION FROM TYCO ELECTRONICS CORPORATION. DIMENSIONS IN MILLIMETERS. DO NOT SCALE PRINT.

PRINT DW

8

7

6

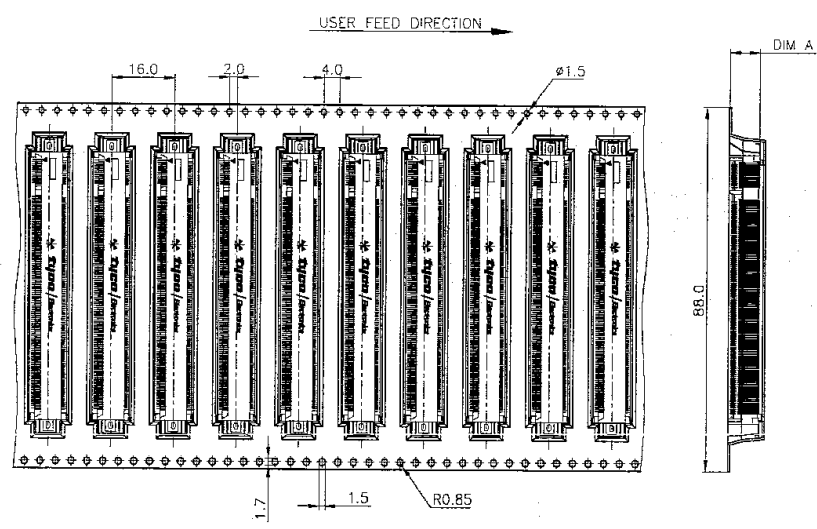
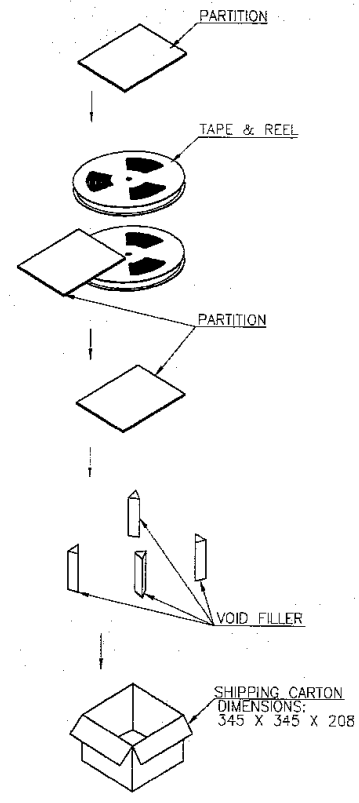
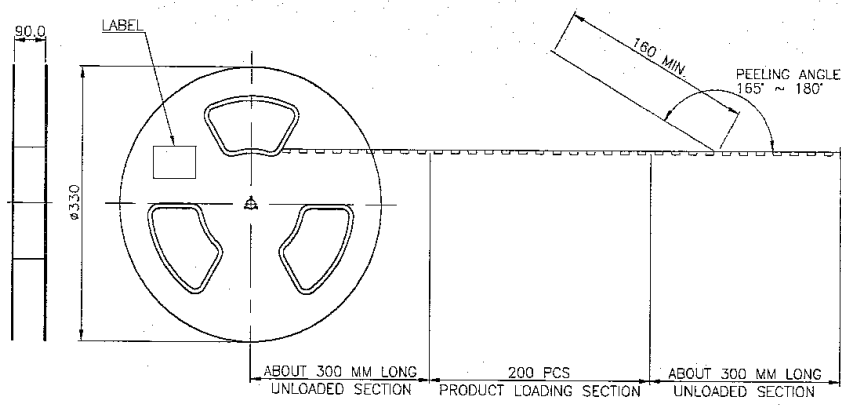
5

4

3

2

1

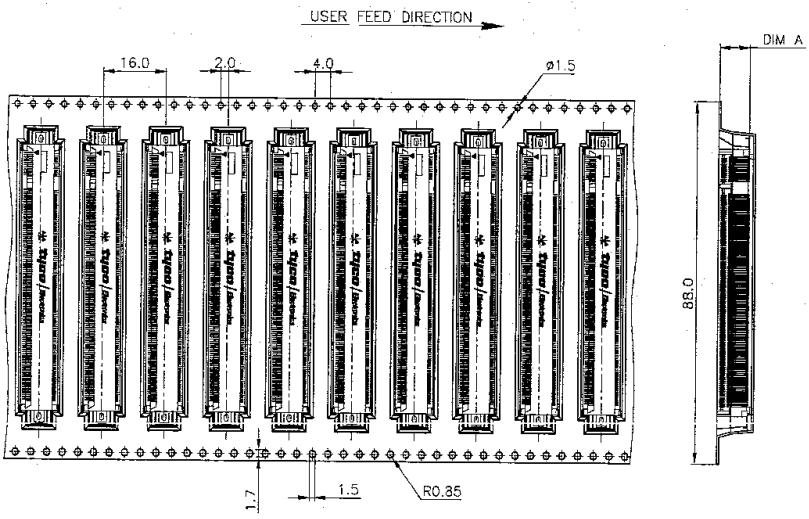
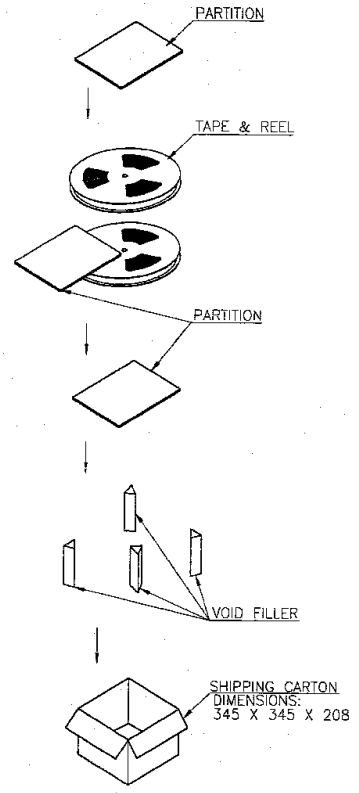
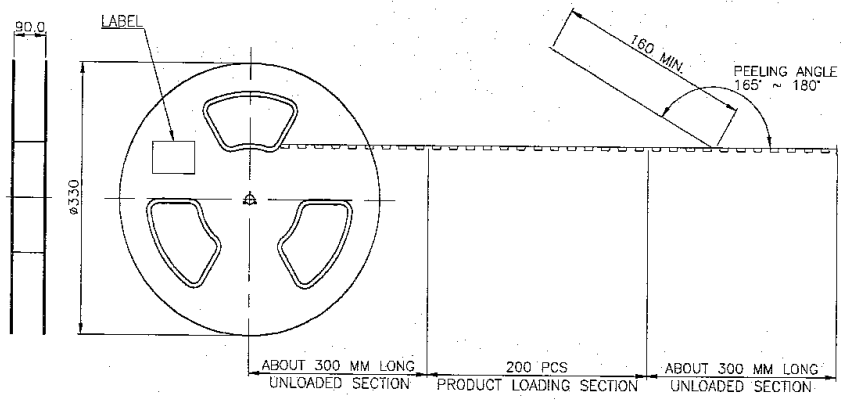


7.63	350	2	700	6.45	3.9
5.18	450		900	5.88	3.43
DIM A	PCS/REEL	REELS/CARTON	QJANTITY	G/W (KG)	N/W (KG)

TOLERANCES UNLESS OTHERWISE SPECIFIED:		LWN		A. WU 18-MAY-2007		tyco Tyco Electronics Corporation Taipai, Taiwan	
O.P.C.		CHK		S. HOU 18-MAY-2007		NAME	
U.S.P.C.		APVD		W.J. KE 18-MAY-2007		BOARD TO BOARD CONNECTOR, 230 POSITION	
ANGLES ±		PRODUCT SPEC		QUALIFICATION TEST REPORT		LOC SIZE DRAWING NO	
FINISH		WEIGHT		SCALE		REV	
						A1	
						C-1775063	
						4 OF 4	

SEE SHEET 1.				
LTR	REVISION RECORD	ECH	OWN	DATE

THIS INFORMATION IS CONFIDENTIAL AND IS DISCLOSED TO YOU ON A CONDITION THAT YOU WILL NOT DISCLOSE IT TO ANY OTHER PERSON OR ORGANIZATION WITHOUT THE WRITTEN AUTHORIZATION FROM TAIPEI ELECTRONICS CORP. (TAIPEI) LTD. ALL DIMENSIONS IN MILLIMETERS. DD DST. SCALE PRINT.



7.63	350	2	700	6.45	3.9
5.18	450		900	5.88	3.43
DIM A	PCS/REEL	REELS/CARTON	QUANTITY	C/W (KG)	N/W (KG)

TOLERANCES UNLESS OTHERWISE SPECIFIED:		REMOVE BURRS. BREAK SHARP EDGE 0.4R MAX.		
DECIMALS: 0 P.L.C: ±		1 P.L.C: ±	2 P.L.C: ±	3 P.L.C: ±
DWN	A. WJ/APVD	W.J. KE	tyco Tyco Electronics Corporation	
CHK	S. HOU/REL		Taipai, Taiwan	
TERMINAL	TYPE	FIRST USED	SIZE LOC NUMBER	REV
			A3DW	A1

SEE SHEET 1.				SCALE	NAME	BOARD TO BOARD CONNECTOR, 230 POSITION		
LTR	REVISION RECORD	ECN	Dwn/Chk	DATE				

ALL DIMENSIONS ARE IN MILLIMETERS UNLESS OTHERWISE SPECIFIED.
 DIMENSIONS IN MILLIMETERS. DO NOT SCALE PRINT.