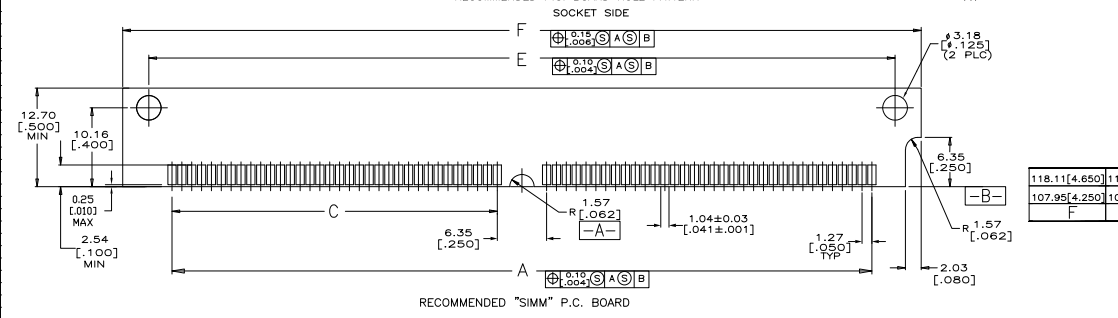
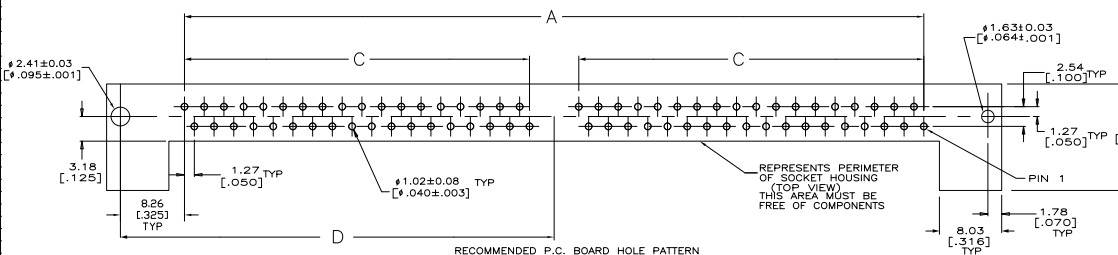
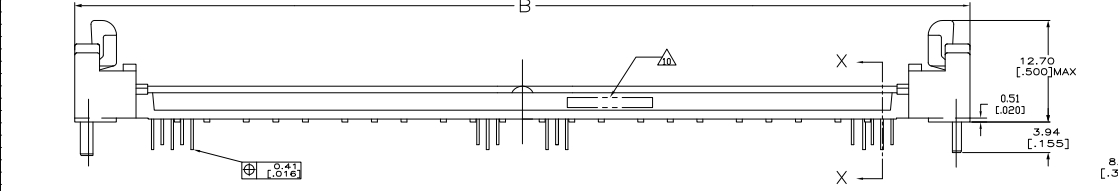
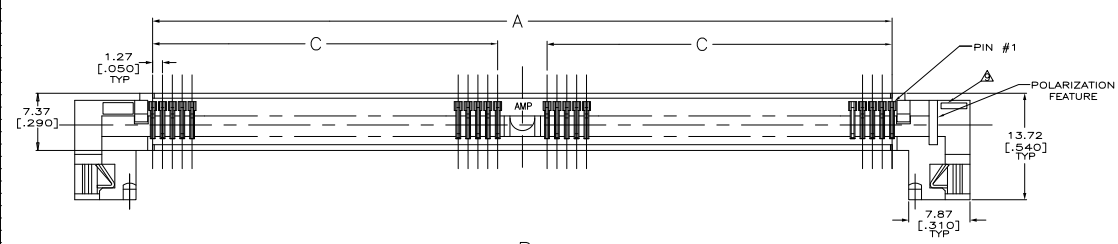
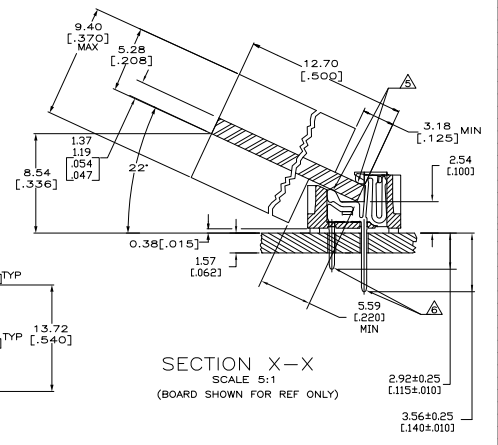


REV	DATE	DESCRIPTION	BY	CHK	APP
AG 00					
U		REVISED PER ECO-06-027841			



- △ HOUSING-MATERIAL : LIQUID-CRYSTAL-POLYMER.
 - △ CONTACT-MATERIAL : PHOS. BRONZE.
 - △ LATCH-MATERIAL : STAINLESS STEEL.
 - △ CONTACT-PLATE 0.00127 [.000050] MIN NICKEL ALL OVER.
 - △ CONTACT-PLATE 0.00076 [.000030] MIN. GOLD AT CONTACT PTS.
 - △ CONTACT SOLDERTAILS-PLATE 0.00508 [.000200] MIN TIN/LEAD.
7. IN ADDITION TO THOSE RECOMMENDED "SIMM" P.C. BOARD DIMENSIONS AND TOLERANCES SHOWN, ALL JEDEC SPECIFICATIONS APPLY AS SHOWN ON MO-116, ISSUE A.
8. RECOMMENDED MATING S.I.M.M. TAB METALLURGY: BASE METAL-COPPER, PLATING TO BE 0.00076 [.000030] MIN GOLD OVER 0.00127 [.000050] MIN NICKEL.
- △ 'S' IDENTIFIER LOCATED APPROXIMATELY AS SHOWN.
- △ DATE CODE INFORMATION (YEAR WEEK), LOCATED APPROXIMATELY AS SHOWN ON OPPOSITE SIDE ONLY.



118.11[4.650]	111.35[4.384]	60.96[2.400]	49.53[1.950]	125.48[4.940]	105.41[4.150]	80	822138-4
107.95[4.250]	101.19[3.984]	55.88[2.200]	44.45[1.750]	115.32[4.540]	95.25[3.750]	72	822138-3
F	E	D	C	B	A	NO. OF PINS	PART NO

THIS DRAWING IS A CONTROLLED DOCUMENT. DIMENSIONS IN INCHES. THIS DRAWING IS A CONTROLLED DOCUMENT. DIMENSIONS IN INCHES.

DESIGNED BY: J. J. BUCHHEITEL
 DRAWN BY: J. J. BUCHHEITEL
 CHECKED BY: J. J. BUCHHEITEL
 APPROVED BY: J. J. BUCHHEITEL

DATE: 00779
 DRAWING NO: 822138
 SHEET: 4-1