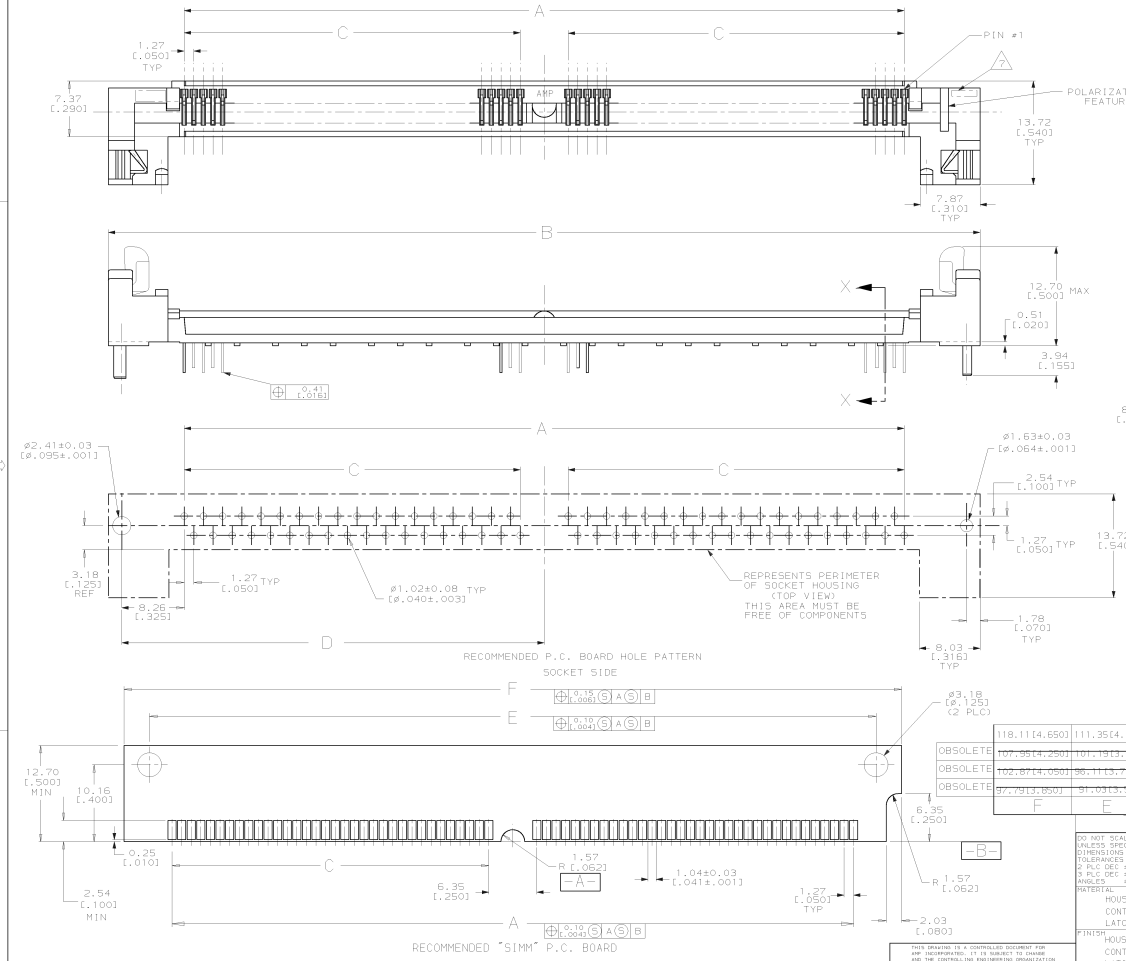
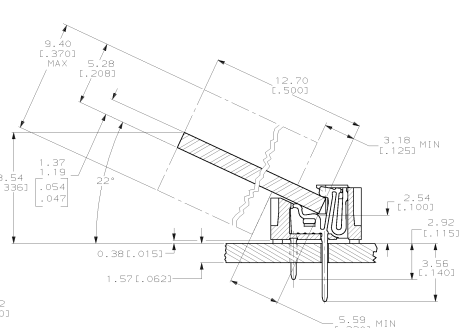


MAKING FROM IN MICRO-SHAPE PROTECTION
 THESE DIMENSIONS ARE CONTROLLED BY THE
 © COPYRIGHT 1981 BY AMP INCORPORATED. ALL INTERNATIONAL RIGHTS RESERVED.

REV	DATE	BY	CHKD	DESCRIPTION	DATE	APPD
5	REACT-4	PER 0510-0175-00				



- △ HOUSING-MATERIAL : LIQUID-CRYSTAL-POLYMER.
- △ CONTACT-MATERIAL : PHOS. BRONZE.
- △ LATCH-MATERIAL : STAINLESS STEEL.
- △ CONTACT-PLATE; 0.0050B(0.000200) MIN. TIN/LEAD OVER 0.00127 (0.00050) MIN NICKEL.
- 5. IN ADDITION TO THOSE RECOMMENDED "SMM" P.C. BOARD DIMENSIONS AND TOLERANCES SHOWN, ALL JEDEC SPECIFICATIONS APPLY AS SHOWN ON MO-116, ISSUE A.
- 6. RECOMMENDED MATING 5.1 M.M. TAB METALLURGY; BASE METAL-COPPER; PLATING TO BE 0.00762(0.000300) MIN TIN/LEAD OVER 0.00127(0.00050) MIN NICKEL.
- △ 'S' IDENTIFIER LOCATED APPROXIMATELY AS SHOWN.



NO. OF POS	PART NO	NO. OF POS	PART NO
80	822136-4	80	822136-4
72	822136-3	68	822136-2
68	822136-2	64	822136-1

NO. OF POS	PART NO	NO. OF POS	PART NO
118.11 [4.650]	111.35 [4.394]	60.96 [2.400]	49.53 [1.950]
125.48 [4.940]	105.41 [4.150]	80	822136-4
113.32 [4.460]	55.25 [2.175]	72	822136-3
110.24 [4.340]	50.17 [1.950]	68	822136-2
95.09 [3.750]	45.01 [1.775]	64	822136-1

DO NOT SCALE PRINT. UNLESS SPECIFIED DIMENSIONS IN mm (INCHES) TOLERANCES ON 3 PLG DEC # 5.13(0.05) UNLESS OTHERWISE SPECIFIED

DR 2-18-91 E-SALON
 CHR 2-18-91
 APPD 2-18-91
 MODLT SPEC -
 MATERIAL HOUSING... △
 CONTACT... △
 LATCH... △
 FINISH HOUSING... NATURAL
 CONTACT... △
 LATCH... △

AMP INCORPORATED
 HARRISBURG, PA 17105-3608

CONNECTOR, MICRO-EDGE, .050, LP, TIN PL, W/METAL LATCH

SIZE 00779
 DRAWING NO 822136
 SCALE 4:1
 SHEET 1 OF 1

CUSTOMER DRAWING