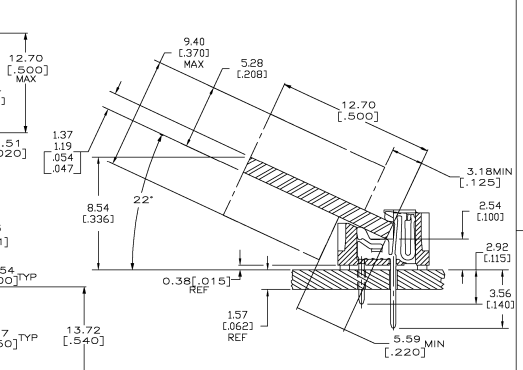


- △ HOUSING-MATERIAL : LIQUID-CRYSTAL-POLYMER.
- △ CONTACT-MATERIAL : PHOS. BRONZE.
- △ LATCH-MATERIAL : STAINLESS STEEL.
- △ CONTACT-PLATE: 0.00508[.000200] MIN. TIN/LEAD OVER 0.00127 [.000050] MIN NICKEL.
- 5. IN ADDITION TO THOSE RECOMMENDED "SIMM" P.C. BOARD DIMENSIONS AND TOLERANCES SHOWN, ALL JEDEC SPECIFICATIONS APPLY AS SHOWN ON MO-116, ISSUE A.
- 6. RECOMMENDED MATING S.I.M.M. TAB METALLURGY: BASE METAL-COPPER, PLATING TO BE 0.00762[.000300] MIN TIN/LEAD OVER 0.00127[.000050] MIN NICKEL.
- △ 7. PACKAGED IN SPECIAL TUBES.
- △ 8. 'S' IDENTIFIER LOCATED APPROXIMATELY AS SHOWN.
- △ 9. OBSOLETE



W/CTR POST	F	E	D	C	B	A	NO. OF PINS	PART NO
WITHOUT CENTER POST	107.95[4.250]	101.19[3.984]	55.88[2.200]	44.45[1.750]	115.32[4.540]	95.25[3.750]	72	822110-3
	107.95[4.250]	101.19[3.984]	55.88[2.200]	44.45[1.750]	115.32[4.540]	95.25[3.750]	72	822110-9
	67.31[2.650]	60.55[2.384]	35.56[1.400]	24.13[.950]	74.86[2.940]	54.61[2.150]	40	822110-6
	67.31[2.650]	60.55[2.384]	35.56[1.400]	24.13[.950]	74.86[2.940]	54.61[2.150]	40	822110-5
WITH CENTER POST	118.11[4.650]	111.35[4.384]	60.96[2.400]	49.53[1.950]	125.48[4.940]	105.41[4.150]	80	822110-4
	107.95[4.250]	101.19[3.984]	55.88[2.200]	44.45[1.750]	115.32[4.540]	95.25[3.750]	72	822110-3
	102.87[4.050]	96.11[3.784]	53.34[2.100]	41.91[1.650]	110.24[4.340]	90.17[3.550]	68	822110-2
	97.79[3.850]	91.03[3.584]	50.80[2.000]	39.37[1.550]	105.16[4.140]	85.09[3.350]	64	822110-1

THIS DRAWING IS A CONTROLLED DOCUMENT. THE ORIGINAL IS KEPT AT THE MANUFACTURER'S FACILITY.

DATE: 3-14-81
 DRAWN BY: J. S. SAMPSON
 CHECKED BY: J. S. SAMPSON
 APPROVED BY: J. S. SAMPSON

AMP INCORPORATED
 HARRISBURG, PA. 17105-3608

CONNECTOR, MICRO-EDGE, .050, LP, TIN PL, W/METAL LATCH

SIZE: A1
 DATE CODE: 000000
 PART NO: 822110

CUSTOMER DRAWING