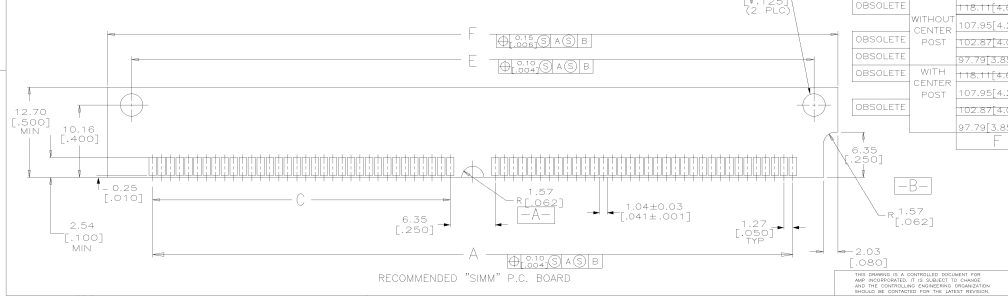
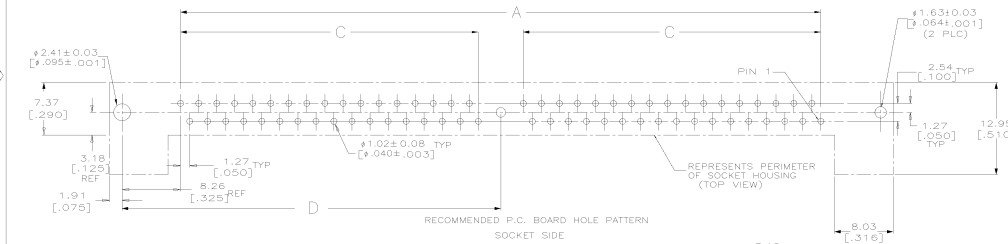
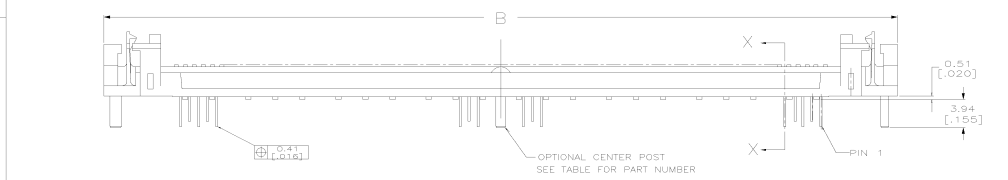
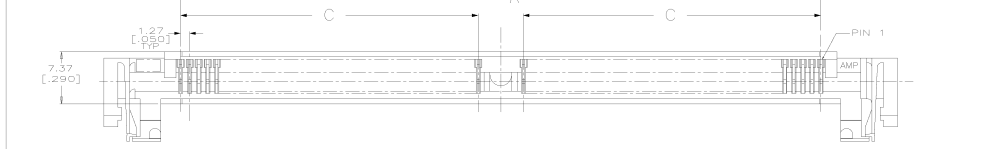
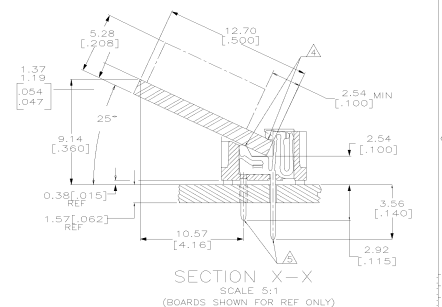


PROPERTY MARK IN THIS DRAWING PROTECTION  
 THIS DRAWING IS UNPUBLISHED. RELEASED FOR PUBLICATION .19  
 © AMP CORP. ALL RIGHTS RESERVED.

REV	DATE	DESCRIPTION	BY	APP
1		REVISED PER 0441-0263-97		
2		REV PER 0510-0084-00		



- △ HOUSING-MATERIAL : LIQUID-CRYSTAL-POLYMER.
- △ CONTACT-MATERIAL : PHOS. BRONZE, AMP 100-255.
- △ CONTACT-PLATE 0.00127 [0.000050] MIN NICKEL ALL OVER.
- △ CONTACT-PLATE 0.00076[0.000030] MIN. GOLD AT CONTACT PTS.
- △ CONTACT SOLDERTAILS-PLATE 0.00508[0.000200] MIN TIN/LEAD.
- 6. IN ADDITION TO THOSE RECOMMENDED "SIMM" P.C. BOARD DIMENSIONS AND TOLERANCES SHOWN, ALL JEDEC SPECIFICATIONS APPLY AS SHOWN ON MO-116, ISSUE A.
- 7. RECOMMENDED MATING S.I.M.M. TAB METALLURGY:  
 BASE METAL-COPPER, PLATING TO BE 0.00076[0.000300] MIN GOLD OVER 0.00127[0.00050] MIN NICKEL.
- △ SUPERSEDED BY 821950-5
- △ SUPERSEDED BY 821950-6
- △ SUPERSEDED BY 821950-7
- △ SUPERSEDED BY 821950-8



NO. OF PINS	F	E	D	C	B	A	PART NO
80	118.11[4.650]	111.35[4.384]	60.96[2.400]	49.53[1.950]	125.73[4.950]	105.41[4.150]	80 821950-8
72	107.95[4.250]	101.19[3.984]	55.88[2.200]	44.45[1.750]	115.57[4.550]	95.25[3.750]	72 821950-7
68	102.87[4.050]	96.11[3.784]	53.34[2.100]	41.91[1.650]	110.49[4.350]	90.17[3.550]	68 821950-6
64	97.79[3.850]	91.03[3.584]	50.80[2.000]	39.37[1.550]	105.41[4.150]	85.09[3.350]	64 821950-5
80	118.11[4.650]	111.35[4.384]	60.96[2.400]	49.53[1.950]	125.73[4.950]	105.41[4.150]	80 821950-4
72	107.95[4.250]	101.19[3.984]	55.88[2.200]	44.45[1.750]	115.57[4.550]	95.25[3.750]	72 821950-3
68	102.87[4.050]	96.11[3.784]	53.34[2.100]	41.91[1.650]	110.49[4.350]	90.17[3.550]	68 821950-2
64	97.79[3.850]	91.03[3.584]	50.80[2.000]	39.37[1.550]	105.41[4.150]	85.09[3.350]	64 821950-1

DO NOT SCALE PRINT. UNLESS SPECIFIED DIMENSIONS IN mm (INCHES) TOLERANCES: .010 (0.0005) 2 PLE DEC 1 3 PLE DEC 1 0.1(0.005) 1 ANGLES: MATERIAL: HOUSING... △ CONTACT... △ FINISH: HOUSING... △ CONTACT... △ APPLICATION SPEC: WEIGHT: NAME: AMP Incorporated Harrisburg, PA 17105-3608 CONNCTOR, MICRO-EDGE, .050, LP, GOLD PLATING SIZE: D 00779 0-821950 CASE CODE: SCALE: 4:1 SHEET: 1 OF 1 CUSTOMER DRAWING

AMP 17105-3608  
 AMP 17105-3608  
 AMP 17105-3608