

4

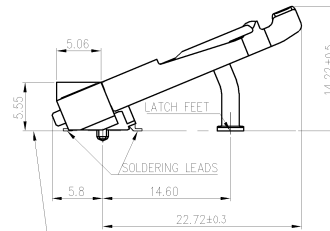
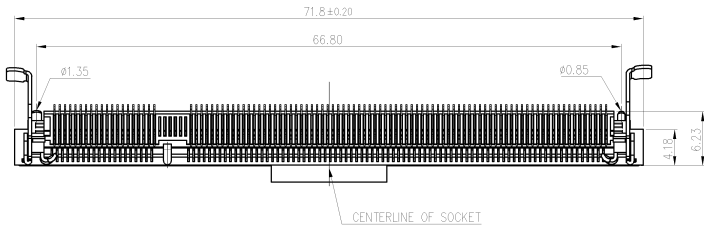
3

2

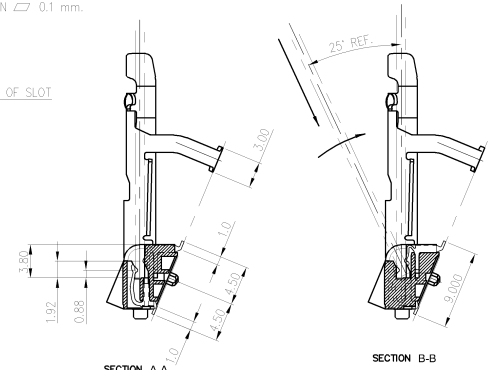
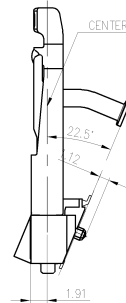
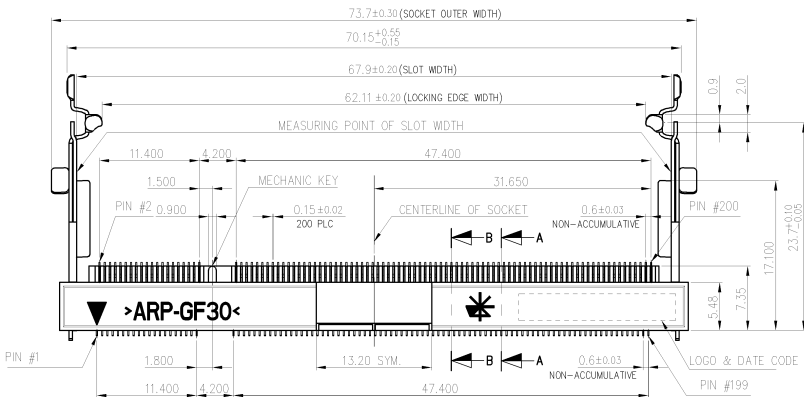
1

THIS DRAWING IS UNPUBLISHED. RELEASED FOR PUBLICATION
 © COPYRIGHT BY TYCO ELECTRONICS CORPORATION. ALL RIGHTS RESERVED.

LOC	DIST	REVISIONS			
P	LTR	DESCRIPTION	DATE	DWN	APVD
B1		REVISED (ECR-10-007277)	02APR10	JL	WK



MOUNTING SURFACE OF P.C. BOARD
 ALL SOLDERING LEADS AND LATCH FEET
 MUST BE COPLANAR WITHIN ∇ 0.1 mm.



NOTE:

- MATERIAL:
HOUSING: LCP WITH 30% GF, UL 94V-0, COLOR: NATURE.
CONTACTS: PHOSPHOR BRONZE.
LATCH: STAINLESS.
- FINISH:
CONTACTS: GOLD PLATED (SEE TABLE) ON CONTACT AREA ,
GOLD FLASH ON SOLDER TAILS, WITH ENTIRE
CONTACT UNDERPLATED 1.27µm [50µ"] MIN. NICKEL.
LATCH: 2.032µm[80µ"] ~ 4.064µm[160µ"] MATTE-TIN PLATED
OVER 1.27µm [50µ"] MIN. NICKEL PLATED.
- REFLOW SOLDER CAPABLE TO 260°C PER TE TEST SPEC.
109-201, CONDITION B.



TRAY	2.5 V	0.762µm[30µ"] MIN.	1834017-2
TRAY		0.254µm[10µ"] MIN.	1834017-1
PACKING	VOLTAGE	GOLD PLATED	PART NUMBER

THIS DRAWING IS A CONTROLLED DOCUMENT.

DIMENSIONS:	TOLERANCES UNLESS OTHERWISE SPECIFIED:	DWN	15JUN2009
MM	0 PLC ± 0.5	CHK	15JUN2009
	1 PLC ± 0.2	S. CHIEN	
	2 PLC ± 0.1	W. KODAMA	15JUN2009
	3 PLC ± 0.05	PRODUCT SPEC	
	4 PLC ± - ± 3°	108-57503	
MATERIAL	FINISH	QUALIFICATION TEST REPORT	
SEE NOTE	SEE NOTE	501-57577	
		WEIGHT 4.43 GRAMS	
		CUSTOMER DRAWING	

Tyco Electronics Tyco Electronics Corporation
 Taipei, Taiwan

NAME: _____
 ANGLLED SO DIMM SOCKET ASSY, 0.6mm PITCH,
 200 POSN, 22.5 DEGRESS TILT

SIZE	CAGE CODE	DRAWING NO	RESTRICTED TO
A3	00779	1834017	

SCALE: — SHEET 1 of 7 REV B1

4

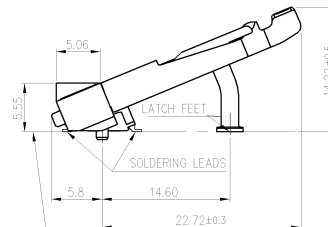
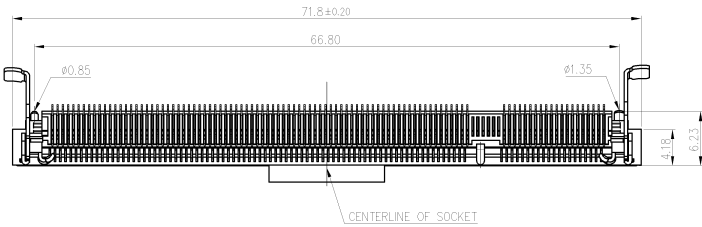
3

2

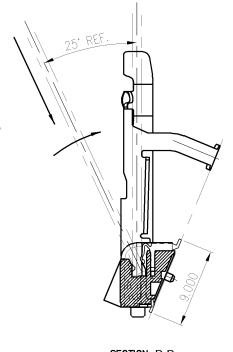
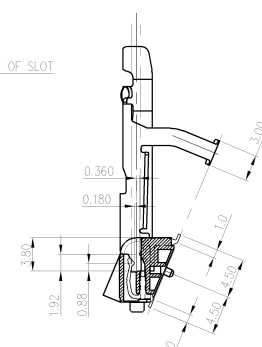
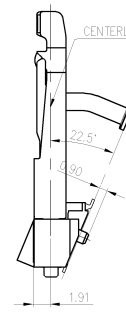
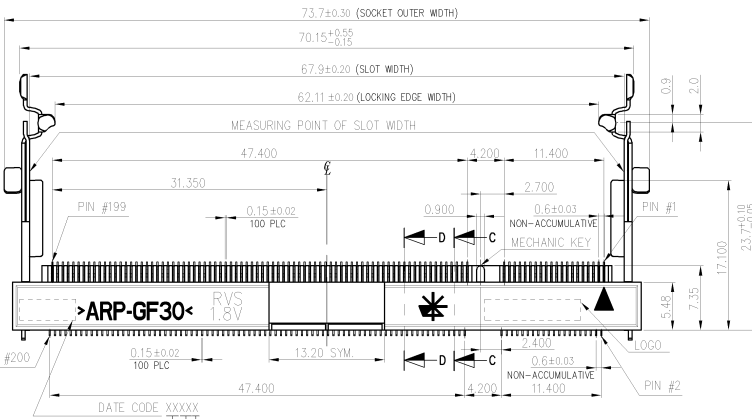
1

THIS DRAWING IS UNPUBLISHED. RELEASED FOR PUBLICATION
 © COPYRIGHT BY TYCO ELECTRONICS CORPORATION. ALL RIGHTS RESERVED.

LOC	DIST	REVISIONS			
P	LTR	DESCRIPTION	DATE	DWN	APVD
DW	-	SEE SHEET 1.			



MOUNTING SURFACE OF P.C. BOARD
 ALL SOLDERING LEADS AND LATCH FEET
 MUST BE COPLANAR WITHIN 0.1 mm.



SECTION C-C

SECTION D-D

NOTE:

- MATERIAL:
HOUSING: LCP WITH 30% GF, UL 94V-0, COLOR: NATURE.
CONTACTS: PHOSPHOR BRONZE.
LATCH: STAINLESS.
- FINISH:
CONTACTS: GOLD PLATED (SEE TABLE) ON CONTACT AREA ,
GOLD FLASH ON SOLDER TAILS, WITH ENTIRE
CONTACT UNDERPLATED 1.27µm [50µ"] MIN. NICKEL.
LATCH: 2.032µm [80µ"] ~ 4.064µm [160µ"] MATTE-TIN PLATED
OVER 1.27µm [50µ"] MIN. NICKEL PLATED.
- REFLOW SOLDER CAPABLE TO 260°C PER TE TEST SPEC.
109-201, CONDITION B.

T/R	REVERSE	1.8 V	0.762µm [30µ"] MIN.	1-1834017-2
TRAY			0.254µm [10µ"] MIN.	1-1834017-1
PACKING	PART VERSION	VOLTAGE	GOLD PLATED	PART NUMBER

THIS DRAWING IS A CONTROLLED DOCUMENT.

DIMENSIONS: MM	TOLERANCES UNLESS OTHERWISE SPECIFIED: 0 PLC ± 0.5 1 PLC ± 0.2 2 PLC ± 0.1 3 PLC ± 0.05 4 PLC ± - ANGLES ± 3°	DWN	CHK	APVD	NAME	Tyco Electronics Corporation Taipei, Taiwan	
		PRODUCT SPEC 108-57503		APPLICATION SPEC 501-57577		ANGLED SO DIMM SOCKET ASSY, 0.6mm PITCH, 200 POSN, 22.5 DEGREE TILT	
MATERIAL	FINISH	WEIGHT 4.43 GRAMS	SIZE A3	CAGE CODE 00779	DRAWING NO. C-1834017	RESTRICTED TO	
CUSTOMER DRAWING			SCALE	SHEET 2 OF 7	REV B1		

4

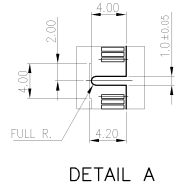
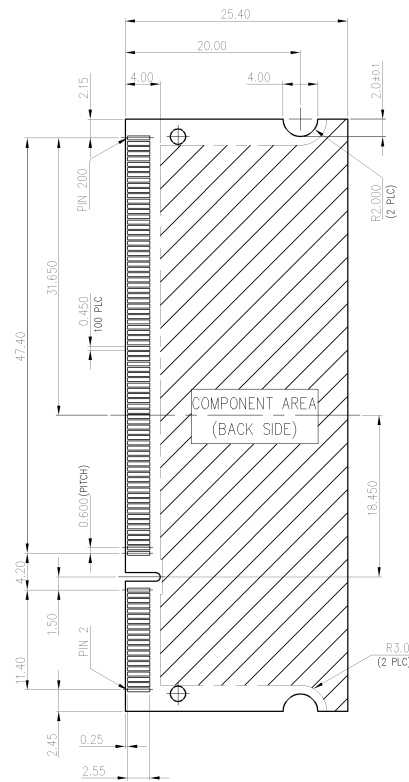
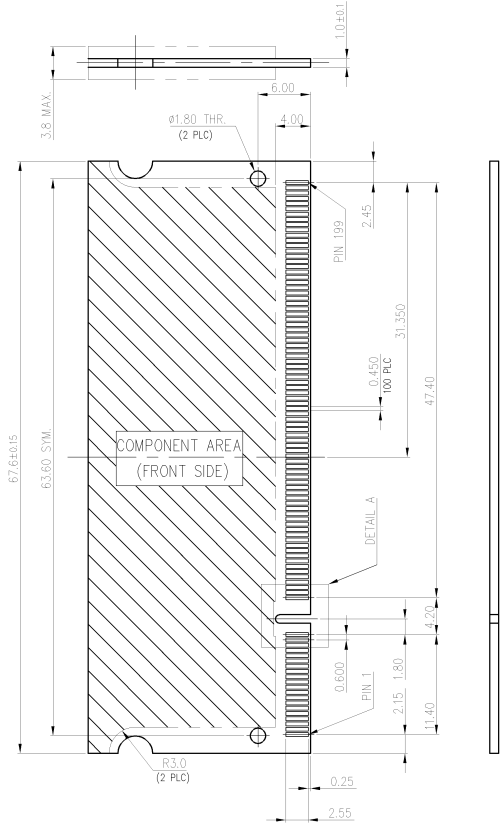
3

2

1

THIS DRAWING IS UNPUBLISHED. RELEASED FOR PUBLICATION
 COPYRIGHT BY TYCO ELECTRONICS CORPORATION. ALL RIGHTS RESERVED.

LOC	DIST	REVISIONS					
DW	-	P	LTR	DESCRIPTION	DATE	DWN	APVD
				SEE SHEET 1.			



RECOMMENDED DAUGHTER BOARD FOR 2.5V STD. TYPE

2.5 V
VOLTAGE

THIS DRAWING IS A CONTROLLED DOCUMENT.		DWN		Tyco Electronics Corporation Taipei, Taiwan	
DIMENSIONS: MM		CHK		NAME	
TOLERANCES UNLESS OTHERWISE SPECIFIED:		APVD		ANGLED SO DIMM SOCKET ASSY, 0.6mm PITCH, 200 POSN, 22.5 DEGREE TILT	
0 PLC ± -		PRODUCT SPEC		SIZE CAGE CODE DRAWING NO	
1 PLC ± -		APPLICATION SPEC		A300779 C-1834017	
2 PLC ± -		WEIGHT		RESTRICTED TO	
3 PLC ± -		CUSTOMER DRAWING		SCALE SHEET 3 of 7 REV B1	
4 PLC ± -					
ANGLES ± -					
MATERIAL FINISH					

AMP 1470-19 REV 31MAR2000

4

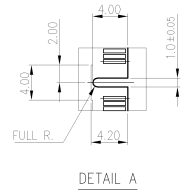
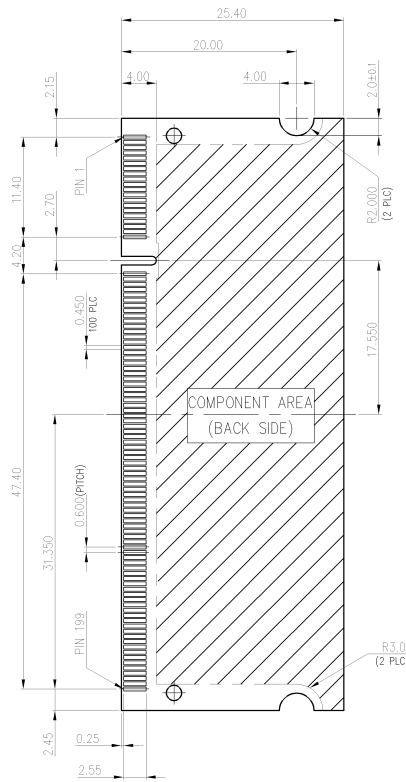
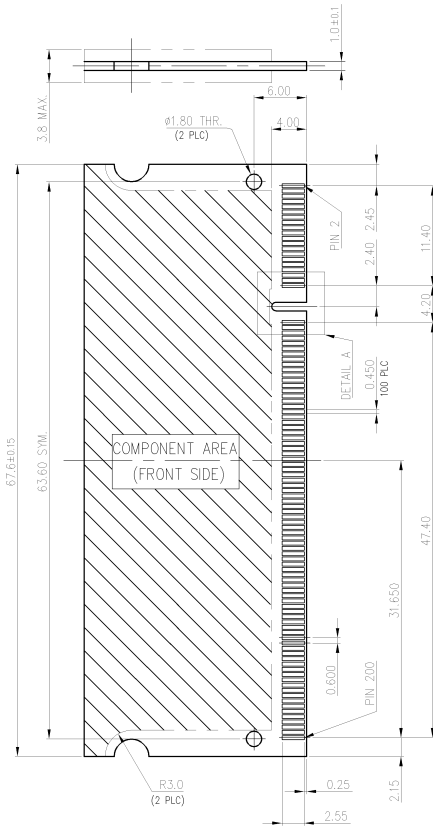
3

2

1

THIS DRAWING IS UNPUBLISHED. RELEASED FOR PUBLICATION
 © COPYRIGHT BY TYCO ELECTRONICS CORPORATION. ALL RIGHTS RESERVED.

LOC	DIST	REVISIONS			
P	LTR	DESCRIPTION	DATE	DWN	APVD
DW	-	SEE SHEET 1.			



RECOMMENDED DAUGHTER BOARD FOR 1.8V RVS. TYPE

1.8 V
VOLTAGE

THIS DRAWING IS A CONTROLLED DOCUMENT.		DWN	Tyco Electronics Tyco Electronics Corporation Taipei, Taiwan	
DIMENSIONS: MM		CHK	NAME	
TOLERANCES UNLESS OTHERWISE SPECIFIED:		APVD	ANGLED SO DIMM SOCKET ASSY, 0.6mm PITCH, 200 POSN, 22.5 DEGRESS TILT	
0 PLC ± -		PRODUCT SPEC	SIZE	CAGE CODE DRAWING NO
1 PLC ± -		APPLICATION SPEC	A3	00779 C-1834017
2 PLC ± -		WEIGHT	RESTRICTED TO	
3 PLC ± -		CUSTOMER DRAWING	SCALE SHEET 4 OF 7 REV B1	
4 PLC ± -				
ANGLES ± -				
MATERIAL	FINISH			

4

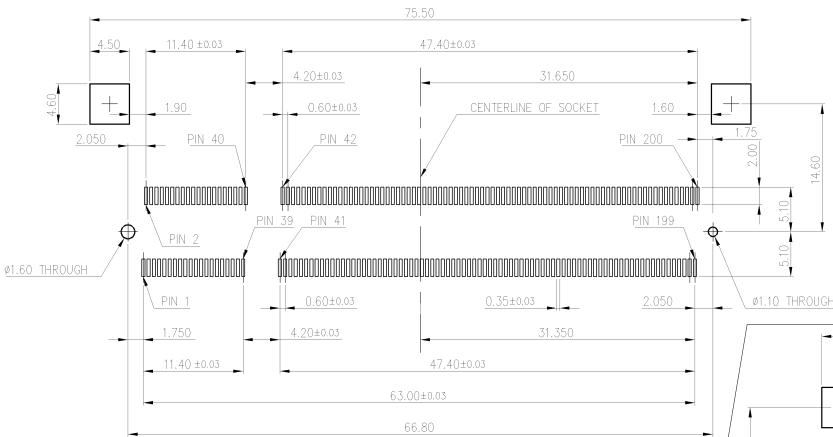
3

2

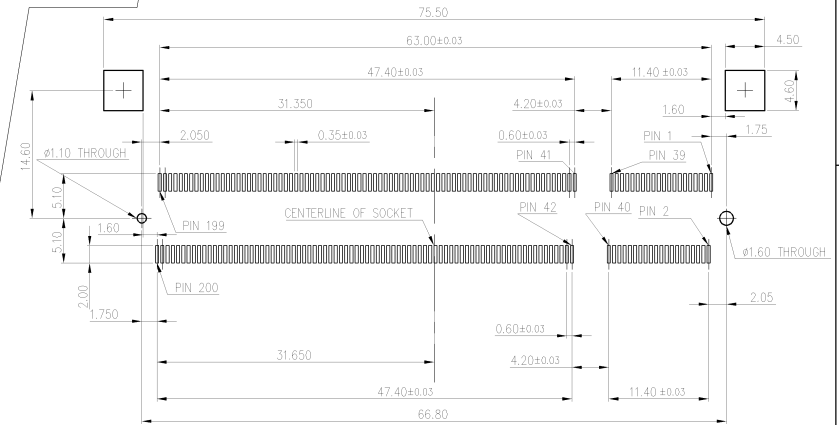
1

THIS DRAWING IS UNPUBLISHED. RELEASED FOR PUBLICATION
 COPYRIGHT - BY TYCO ELECTRONICS CORPORATION. ALL RIGHTS RESERVED.

REVISONS		DATE	DWN	APVD
P	LTR	DESCRIPTION		
SEE SHEET 1.				



RECOMMENDED PCB LAYOUT
 TOLERANCE: ± 0.05
 FOR 2.5V



RECOMMENDED PCB LAYOUT
 TOLERANCE: ± 0.05
 FOR 1.8V OF REVERSE

THIS DRAWING IS A CONTROLLED DOCUMENT.		DWN	Tyco Electronics Corporation Taipei, Taiwan	
DIMENSIONS:	TOLERANCES UNLESS OTHERWISE SPECIFIED:	CHK	NAME	
MM	0 PLC ± -	APVD	ANGLED SO DIMM SOCKET ASSY, 0.6mm PITCH, 200 POSN, 22.5 DEGREE TILT	
	1 PLC ± -	PRODUCT SPEC	SIZE	CAGE CODE
	2 PLC ± -	APPLICATION SPEC	A3	00779
	3 PLC ± -	WEIGHT	DRAWING NO. C-1834017	
	4 PLC ± -	CUSTOMER DRAWING	RESTRICTED TO	
MATERIAL	FINISH	SCALE - SHEET 5 of 7 REV B1		

4

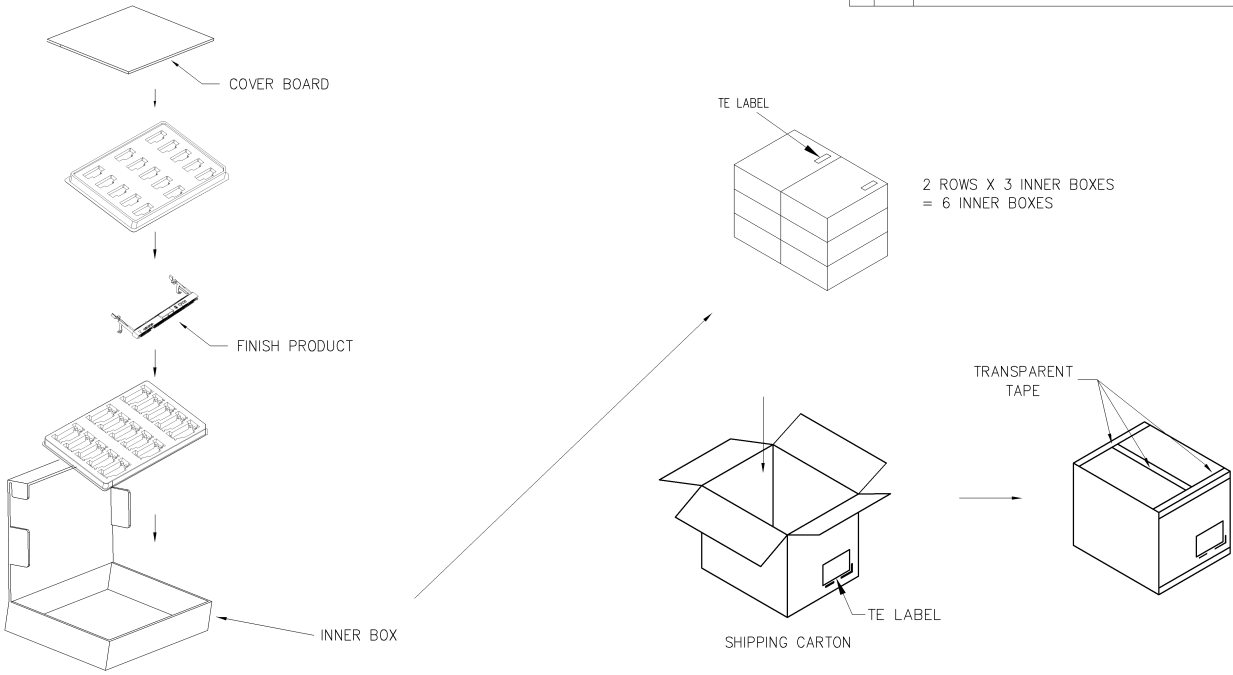
3

2

1

THIS DRAWING IS UNPUBLISHED. RELEASED FOR PUBLICATION
 © COPYRIGHT - BY TYCO ELECTRONICS CORPORATION. ALL RIGHTS RESERVED.

LOC	DIST	REVISIONS			
P	LTR	DESCRIPTION	DATE	DWN	APVD
DW	-	SEE SHEET 1.			



- (1) DIMENSION
 SEMI-HARD TRAY: 330x215x17.5 mm
 INNER BOX: 35.5x23x6.5 cm
 SHIPPING CARTON: 48x37x23 cm
- (2) MATERIAL
 SEMI-HARD TRAY: P.S.
 INNER BOX: CORRUGATED FIBER
 SHIPPING CARTON: CORRUGATED FIBER
- (3) PACKAGING
 15 PCS PER TRAY,
 3 TRAYS PER INNER BOX,
 6 BOXES PER SHIPPING CARTON.
 QUANTITY: 270 PCS
- (4) WEIGHT
 N.W.: 1.196 KGs
 G.W.: 4.5 KGs

THIS DRAWING IS A CONTROLLED DOCUMENT.		DWN	Tyco Electronics Corporation Taipei, Taiwan													
DIMENSIONS: MM		CHK	NAME													
<table border="1"> <tr><td>0 PLC</td><td>± -</td></tr> <tr><td>1 PLC</td><td>± -</td></tr> <tr><td>2 PLC</td><td>± -</td></tr> <tr><td>3 PLC</td><td>± -</td></tr> <tr><td>4 PLC</td><td>± -</td></tr> <tr><td>ANGLES</td><td>± -</td></tr> </table>		0 PLC	± -	1 PLC	± -	2 PLC	± -	3 PLC	± -	4 PLC	± -	ANGLES	± -	APVD	ANGLED SO DIMM SOCKET ASSY, 0.6mm PITCH, 200 POSN, 22.5 DEGRESS TILT	
0 PLC	± -															
1 PLC	± -															
2 PLC	± -															
3 PLC	± -															
4 PLC	± -															
ANGLES	± -															
TOLERANCES UNLESS OTHERWISE SPECIFIED		PRODUCT SPEC	RESTRICTED TO													
MATERIAL		APPLICATION SPEC	SIZE	CAGE CODE												
FINISH		WEIGHT	A3	00779												
		CUSTOMER DRAWING	©-1834017													
		SCALE	SHEET	REV												
			6 of 7	B1												

4

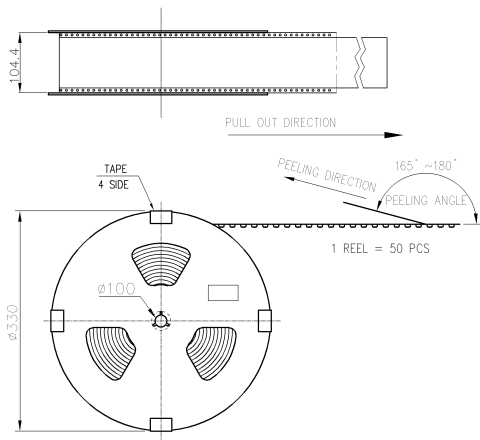
3

2

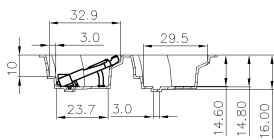
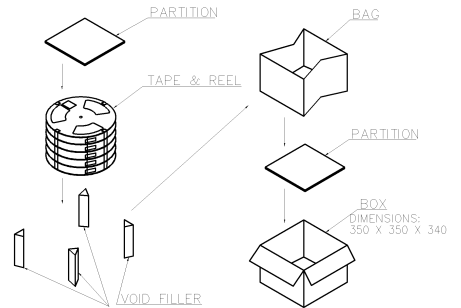
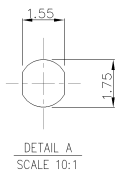
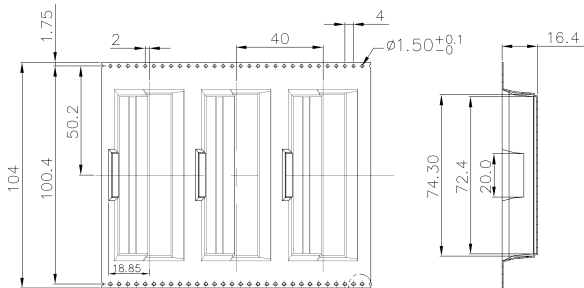
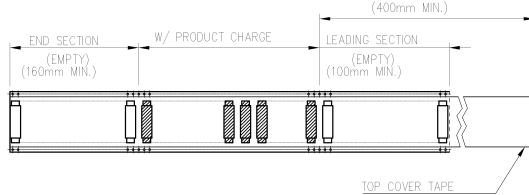
1

THIS DRAWING IS UNPUBLISHED. RELEASED FOR PUBLICATION
 © COPYRIGHT BY TYCO ELECTRONICS CORPORATION. ALL RIGHTS RESERVED.

LOC	DIST	REVISIONS			
P	LTR	DESCRIPTION	DATE	DWN	APVD
		SEE SHEET 1.			



- NOTE:
- MATERIAL:
 - EMBOSSED CARRIER: PS
 - COVER TAPE: PET
 - QUANTITY:
 - PRIMARY: 80 PCS/REEL
 - SECONDARY PACKING: 3 REELS/BOX (240 PCS)
 - WEIGHT:
 - NET WEIGHT: 1.08 KG/BOX
 - GROSS WEIGHT: 3.9 KG/BOX
 - PELLING RESISTANCE: 39g~97g.
 - PELLING SPEED: 300mm/minutes



THIS DRAWING IS A CONTROLLED DOCUMENT.		DWN	Tyco Electronics Corporation Taipei, Taiwan	
DIMENSIONS:	TOLERANCES UNLESS OTHERWISE SPECIFIED:	CHK	NAME	
MM	0 PLC ± -	APVD	ANGLED SO DIMM SOCKET ASSY, 0.6mm PITCH, 200 POSN, 22.5 DEGREE TILT	
	1 PLC ± -	PRODUCT SPEC	SIZE	RESTRICTED TO
	2 PLC ± -	APPLICATION SPEC	A300779	
	3 PLC ± -	WEIGHT	CAGE CODE	DRAWING NO
	4 PLC ± -	CUSTOMER DRAWING	1834017	
MATERIAL	FINISH	SCALE	SHEET	REV
			7 of 7	B1