

4

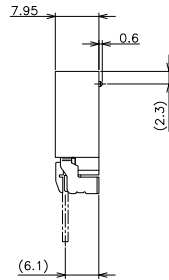
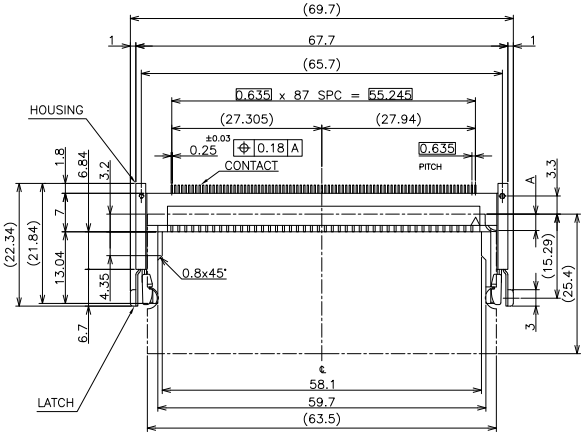
3

2

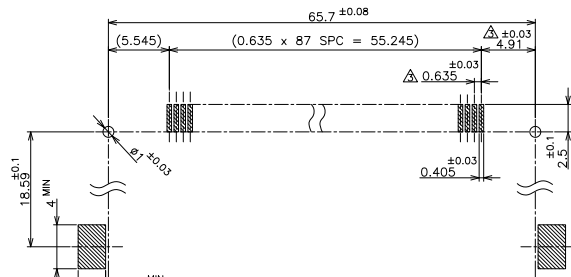
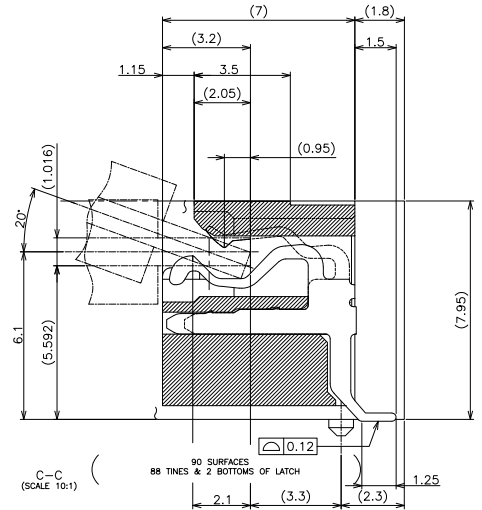
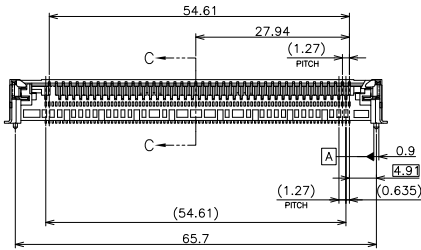
1

THIS DRAWING IS UNPUBLISHED. RELEASED FOR PUBLICATION MAY 2001.
 © COPYRIGHT 2001 BY TYCO ELECTRONICS CORPORATION. ALL RIGHTS RESERVED.

LOC	DIST	REVISIONS			
F	LR	DESCRIPTION	DATE	BY	APP
A1		REVISED ECR-08-029319	19NOV08	T.F	K.J
A2		REVISED PER ECO-09-024927	09NOV09	KK	AE



1. MATERIAL & FINISH
 HOUSING : GLASS FILLED LCP
 CONTACT : COPPER ALLOY
 FINISH--SEE NOTES 2
 LATCH : STAINLESS STEEL TIN PL.
2. CONTACT PLATING
 Au (0.0003) PL. AT CONTACT, TIN PL. AT
 TINE OVER Ni PL.
 TOLERANCE : NON CUMULATIVE.
 OBSOLETE PARTS: OBSOLETE CIS STREAMLINING PER D.RENAUD/D.SINISI



SCALE 4:1
 P.C.BOARD LAYOUT(CONNECTOR MOUNT SIDE)

GENERAL TOLERANCE
 10₂ ± 0.2
 30₂ > 10: ± 0.25
 100₂ > 30: ± 0.3
 ANGLES: ± 3'

THIS DRAWING IS A CONTROLLED DOCUMENT.		DRN	LEO ZHOU	2DMPROD	Tyco Electronics Corporation	
DIMENSIONS: mm		CHK	STEVEN YAO	2DMPROD	Kawasaki, Japan	
TOLERANCES UNLESS OTHERWISE SPECIFIED		APPC	JENOMOTO	2DMPROD	NAME	
0 PLG ± .01		PRODUCT SPEC		108-5403		
1 PLG ± .01		APPLICATION SPEC		MIII SOCKET 88P HIGH PROFILE TYPE		
2 PLG ± .01		MATERIAL		SIZE CASE CODE DRAWING NO		
3 PLG ± .01		FINISH		A2 00779 C-5316437		
4 PLG ± .01		MATERIAL		CUSTOMER DRAWING		
ANGLES ± 3'		FINISH		SCALE 2:1 SHEET 1 OF 2 REV A2		

OBSOLETE	BLACK	6.15	-5316437-2
	NATURAL	2.98	5316437-1
	HOUSING COLOR	A	PART No.

5316437

A

4

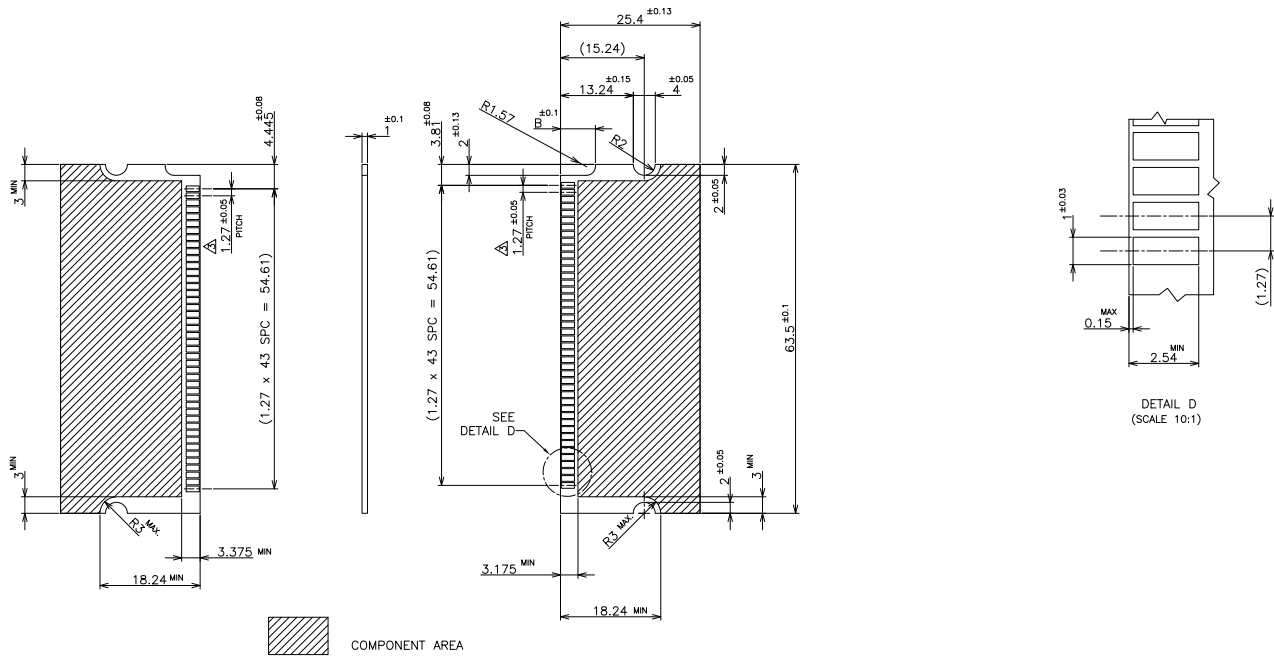
3

2

1

THIS DRAWING IS UNPUBLISHED. RELEASED FOR PUBLICATION MAY 2001.
 © COPYRIGHT 2001 BY TYCO ELECTRONICS CORPORATION. ALL RIGHTS RESERVED.

LOC	DIST	REVISIONS			
F	LR	DESCRIPTION	DATE	MIN	APD
-	-	SEE SHEET 1	-	-	-



COMPONENT AREA

(88 PIN SMALL OUTLINE DIMM)
 RECOMMENDED DIMENSIONS OF "88 PIN SMALL OUTLINE DIMM" P.C.BOARD

6.35	5.0V
3.18	3.3V
B	TYPE

THIS DRAWING IS A CONTROLLED DOCUMENT.

DIMENSIONS: mm	TOLERANCES UNLESS OTHERWISE SPECIFIED	DWG	DATE	TYCO Electronics	Tyco Electronics Corporation Kawasaki, Japan
0 P.L.C. ±	1 P.L.C. ±	CHK	APPRO	NAME	MIII SOCKET 88P HIGH PROFILE TYPE
2 P.L.C. ±	3 P.L.C. ±	PRODUCT SPEC	APPLICATION SPEC	SIZE	CAGE CODE DRAWING NO
4 P.L.C. ±	ANGLES ±	HEIGHT	CUSTOMER DRAWING	A2 00779 C-5316437	RESTRICTED TO
				SCALE	SHEET
				2:1	2 OF 2 REV A2