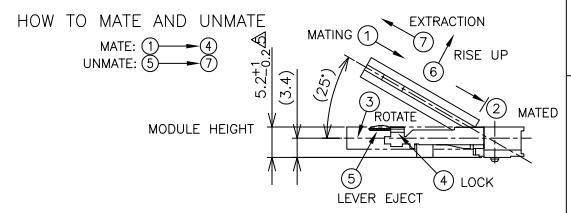
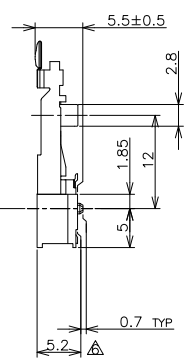
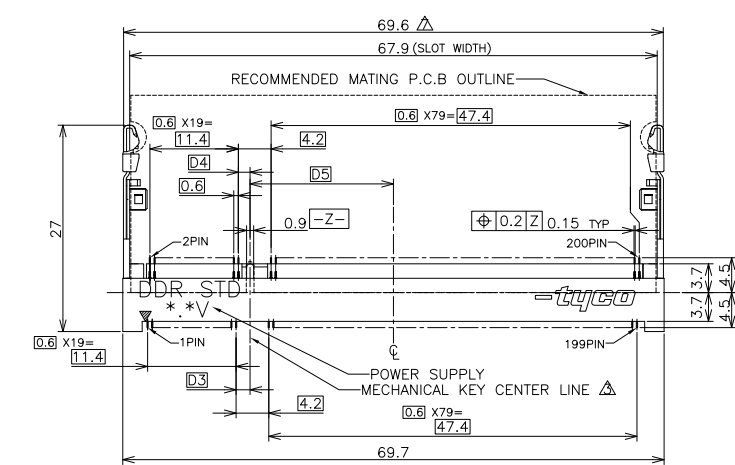
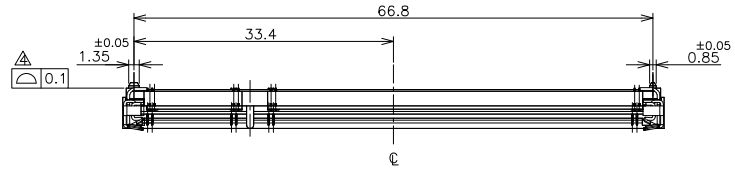


THIS DRAWING IS UNPUBLISHED. RELEASED FOR PUBLICATION MAR , 2007.
 ALL RIGHTS RESERVED.

LOC	DIST	REVISIONS			
P	LTR	DESCRIPTION	DATE	DWN	APVD
B1		REVISED PER ECO-11-005030	11MAR11	RK	HMR



- (APPLIED TO SHEET 1-2)
- MATERIAL ; HOUSING: HIGH TEMPERATURE THERMO PLASTIC UL94V-0
 CONTACT: COPPER ARROY
 LOCK LEVER: STAINLESS STEEL
 - FINISH ; CONTACT AREA: GOLD PLATING ON ALL OVER NICKEL.
 SOLDERING AREA: GOLD FLASH PLT.
 LOCK LEVER: TIN PLATING.
- ▲ MECHANICAL KEY POSITION OF CONNECTOR SEE TABLE.
 ▲ COPLANARITY : 0.1 MAX.
 ▲ THE FLOATING VALUE BY SOLDERING IS NOT INCLUDED.
 ▲ NOT MATING CONDITION.
 ▲ IN CASE OF MODULE BOARD LOCK AND EJECT, LATCH MAXIMUM WIDTH: 75mm.
 ▲ TOLERANCES NON-CUMULATIVE.
 ▲ CARD GUIDE AND STRUT COMPONENT KEEP-OUT ZONE.
 ▲ □ INSIDE MUST BE RESIST COAT EXCEPT SOLDER PATTERN.

1.8V (DDR2)	17.55	2.4	2.7	200	1981276-4
POWER SUPPLY (TYPE)	D5	D4	D3	POS	PART NO.
DWN LEO ZHOU 07MAR07	 STMicroelectronics TE Connectivity DDR SODIMM SOCKET 0.6mm PITCH 200POS 5.2H STD TYPE TO FIT AMC APPLICATIONS				
CHK T.FUMIKURA 07MAR07					
APVD K.IKEGAMI 07MAR07					
PRODUCT SPEC 108-5701					
APPLICATION SPEC	SIZE A3	CAGE CODE 008779	DRAWING NO C-1981276	RESTRICTED TO	
WEIGHT 4.7g	CUSTOMER DRAWING	SCALE 2:1	SHEET 1 of 4	REV B1	

THIS DRAWING IS A CONTROLLED DOCUMENT.

DIMENSIONS:	TOLERANCES UNLESS OTHERWISE SPECIFIED:
MM	0 PLC ±
	1 PLC ±
	2 PLC ±
	3 PLC ±
	4 PLC ±
	ANGLES ±

GENERAL TOLERANCE
 10 ≥ : ±0.2
 30 ≥ > 10 : ±0.3
 100 ≥ > 30 : ±0.5
 ANGLES : ±3°

4

3

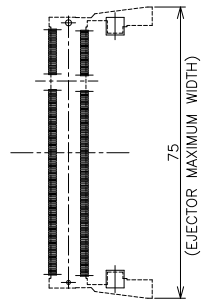
2

1

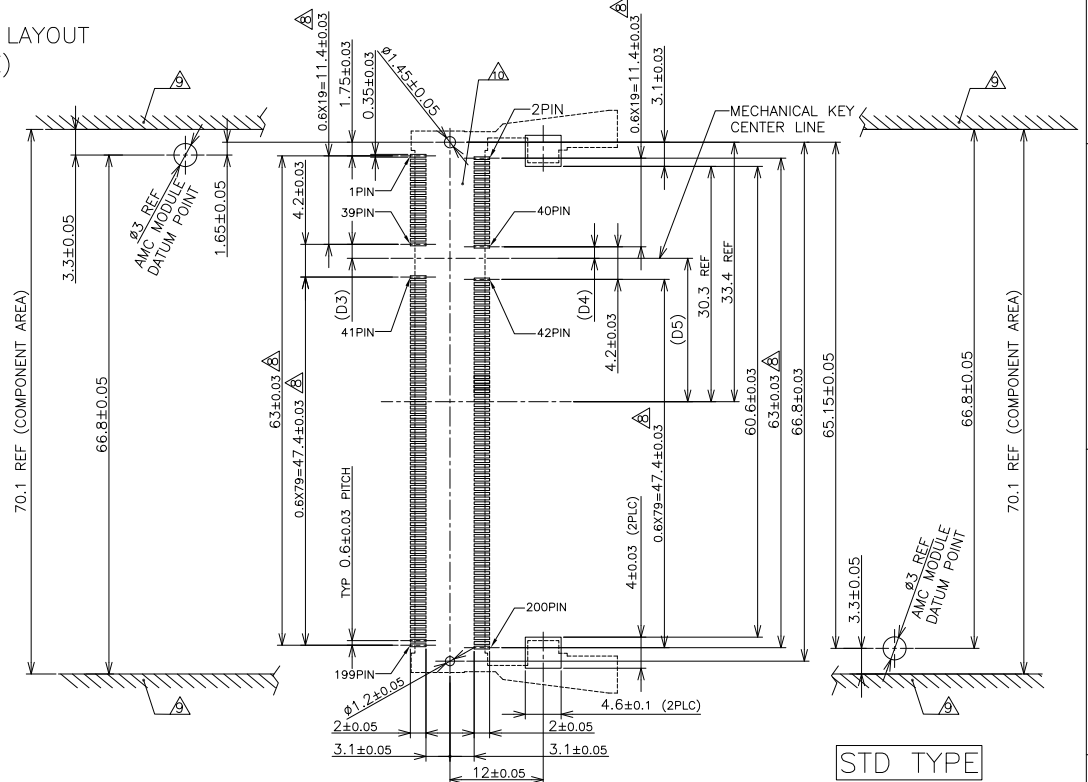
THIS DRAWING IS UNPUBLISHED. RELEASED FOR PUBLICATION MAR. 2007.
 COPYRIGHT 2007 By - ALL RIGHTS RESERVED.

LOC	DIST	REVISIONS			
P	LTR	DESCRIPTION	DATE	DWN	APVD
SEE SHEET 1					

REFERENCE P.C. BOARD PATTERN LAYOUT
 (CONNECTOR MOUNTING SIDE)



REAL SIZE (SCALE 1:1)



STD TYPE

1.8V	17.55	2.4	2.7
POWER SUPPLY	D5	D4	D3

THIS DRAWING IS A CONTROLLED DOCUMENT.

DIMENSIONS:	TOLERANCES UNLESS OTHERWISE SPECIFIED:	DWN	CHK	APVD	NAME
MM	0 PLC ±				TE Connectivity
	1 PLC ±				DDR SODIMM SOCKET 0.6mm PITCH 200POS
	2 PLC ±				5.2H STD TYPE
	3 PLC ±				TO FIT AMC APPLICATIONS
	4 PLC ±				
	ANGLES ±				
MATERIAL	FINISH	WEIGHT	SIZE	CAGE CODE	DRAWING NO
			A3	08779	C-1981276
CUSTOMER DRAWING			SCALE	SHEET	REV
			2:1	2 of 4	B1

4

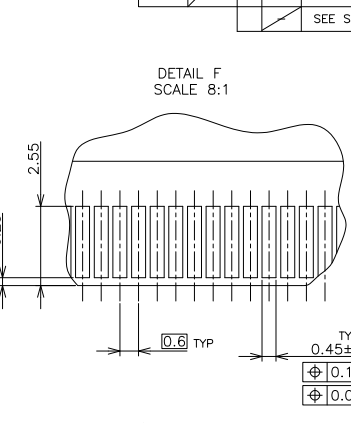
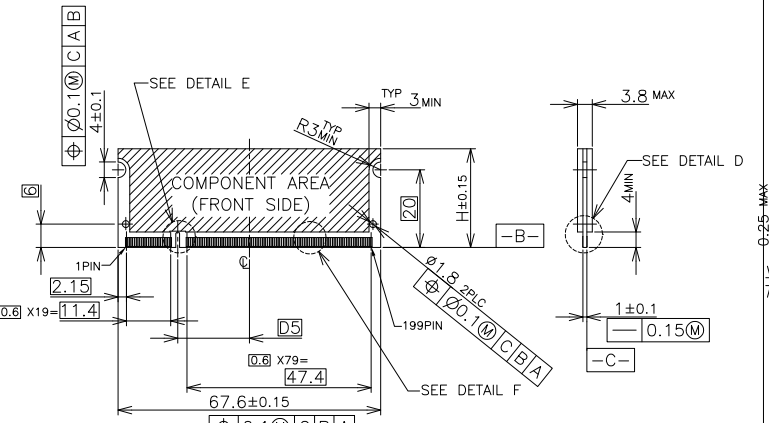
3

2

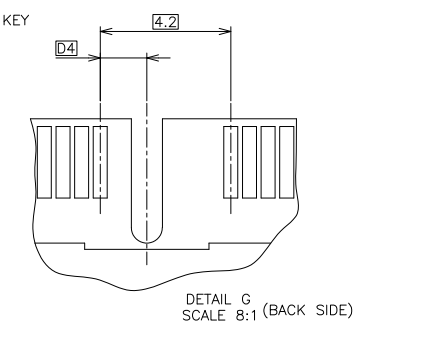
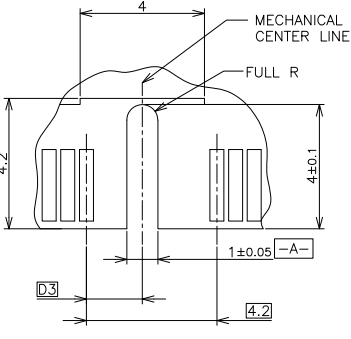
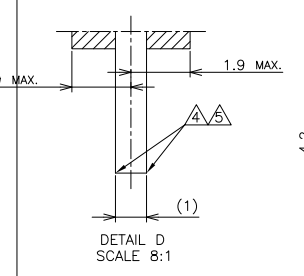
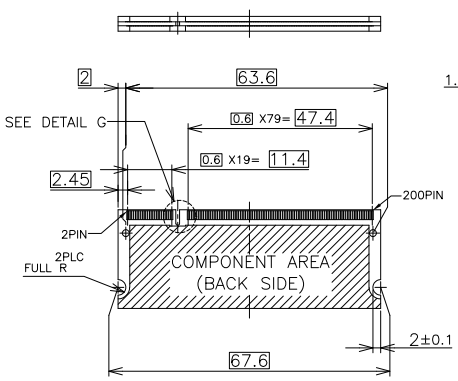
1

THIS DRAWING IS UNPUBLISHED. RELEASED FOR PUBLICATION MAR , 2007.
 © COPYRIGHT 2007 By - ALL RIGHTS RESERVED.

LOC	DIST	REVISIONS					
J		P	LTR	DESCRIPTION	DATE	DWN	APVD
		SEE SHEET 1					



- (APPLIED TO SHEET 3)
1. TOLERANCES ON ALL DIMENSIONS ±0.15 UNLESS OTHERWISE SPECIFIED.
 2. P.C. BOARD THICKNESS APPLIES ACROSS TABS AND INCLUDES PLATING AND/OR METALIZATION.
 3. FINISH OF PAD : GOLD PLATING 0.00076 MIN. OVER Ni PLATING 0.002MIN.
- ⚠ NO BURR
 ⚡ CHAMFER 0.25 MAX x 45° IF EXIST.



31.75	1.8V	17.55	2.4	2.7
25.4	POWER SUPPLY	D5	D4	D3
H				

THIS DRAWING IS A CONTROLLED DOCUMENT.

DIMENSIONS:	TOLERANCES UNLESS OTHERWISE SPECIFIED:	DWN	CHK	APVD
MM	0 PLC ±			
	1 PLC ±			
	2 PLC ±			
	3 PLC ±			
	4 PLC ±			
	ANGLES ±			
MATERIAL	FINISH	PRODUCT SPEC	APPLICATION SPEC	WEIGHT

NAME: **STE** TE Connectivity
 NAME: DDR SODIMM SOCKET 0.6mm PITCH 200POS
 5.2H STD TYPE
 TO FIT AMC APPLICATIONS

SIZE	CAGE CODE	DRAWING NO	RESTRICTED TO
A3	008779	C-1981276	

CUSTOMER DRAWING SCALE: 1:1 SHEET 3 of 4 REV B1

4

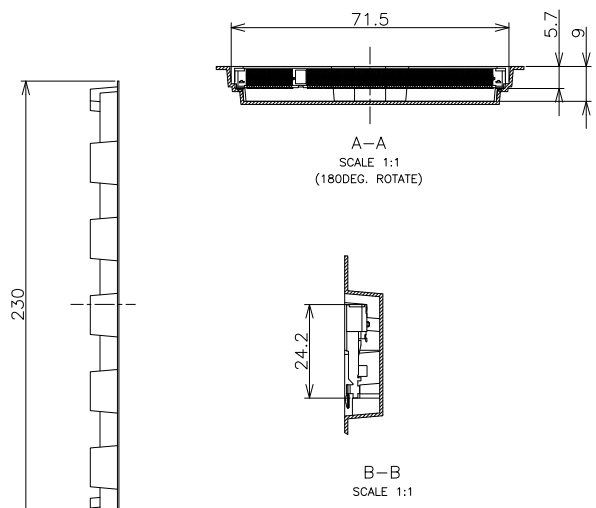
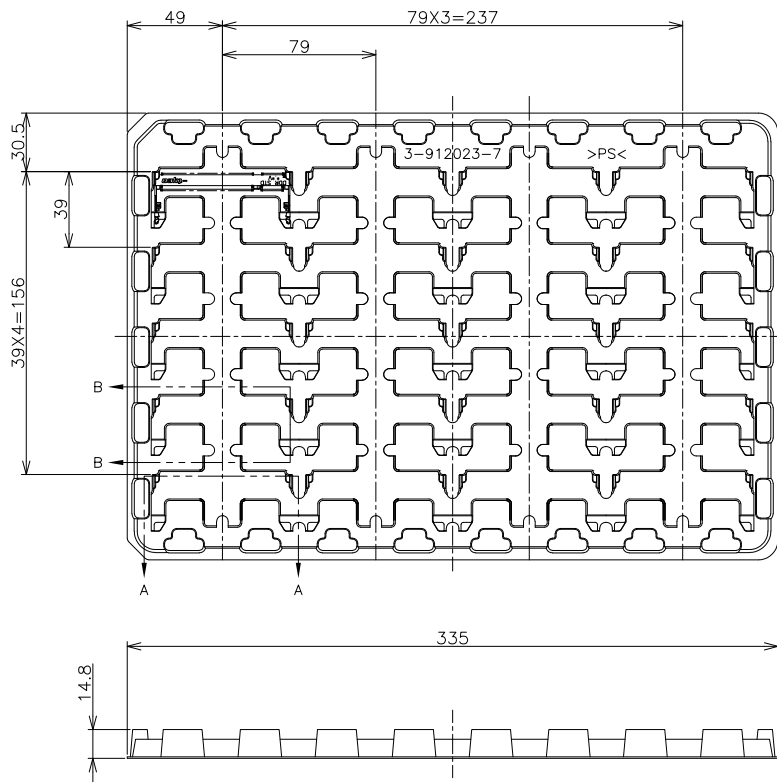
3

2

1

THIS DRAWING IS UNPUBLISHED. RELEASED FOR PUBLICATION MAR , 2007.
 © COPYRIGHT 2007 By - ALL RIGHTS RESERVED.

LOC	DIST	REVISIONS			
P	LTR	DESCRIPTION	DATE	DWN	APVD
		SEE SHEET 1			



- (APPLIED TO SHEET 4)
1. THE DIRECTION OF EACH CONNECTOR ON A TRAY IS REFERRED TO THIS DRAWING.
 2. GENERAL TOLERANCE: ±0.5

20EA/TRAY	1981276-4
QTY	P/N

THIS DRAWING IS A CONTROLLED DOCUMENT.		DWN	TE Connectivity DDR SODIMM SOCKET 0.6mm PITCH 200POS 5.2H STD TYPE TO FIT AMC APPLICATIONS																	
DIMENSIONS:		CHK																		
MM	TOLERANCES UNLESS OTHERWISE SPECIFIED:	APVD																		
<table border="1"> <tr><td>0</td><td>PLC</td><td>± 0.5</td></tr> <tr><td>1</td><td>PLC</td><td>± 0.5</td></tr> <tr><td>2</td><td>PLC</td><td>± 0.5</td></tr> <tr><td>3</td><td>PLC</td><td>± 0.5</td></tr> <tr><td>4</td><td>PLC</td><td>± 0.5</td></tr> <tr><td colspan="2">ANGLES</td><td>± 3°</td></tr> </table>		0			PLC	± 0.5	1	PLC	± 0.5	2	PLC	± 0.5	3	PLC	± 0.5	4	PLC	± 0.5	ANGLES	
0	PLC	± 0.5																		
1	PLC	± 0.5																		
2	PLC	± 0.5																		
3	PLC	± 0.5																		
4	PLC	± 0.5																		
ANGLES		± 3°																		
MATERIAL	FINISH	APPLICATION SPEC	NAME	RESTRICTED TO																
		WEIGHT	SIZE	CAGE CODE																
		CUSTOMER DRAWING	A3	008779																
			DRAWING NO	©=1981276																
			SCALE	1:2																
			SHEET	4 of 4																
			REV	B1																