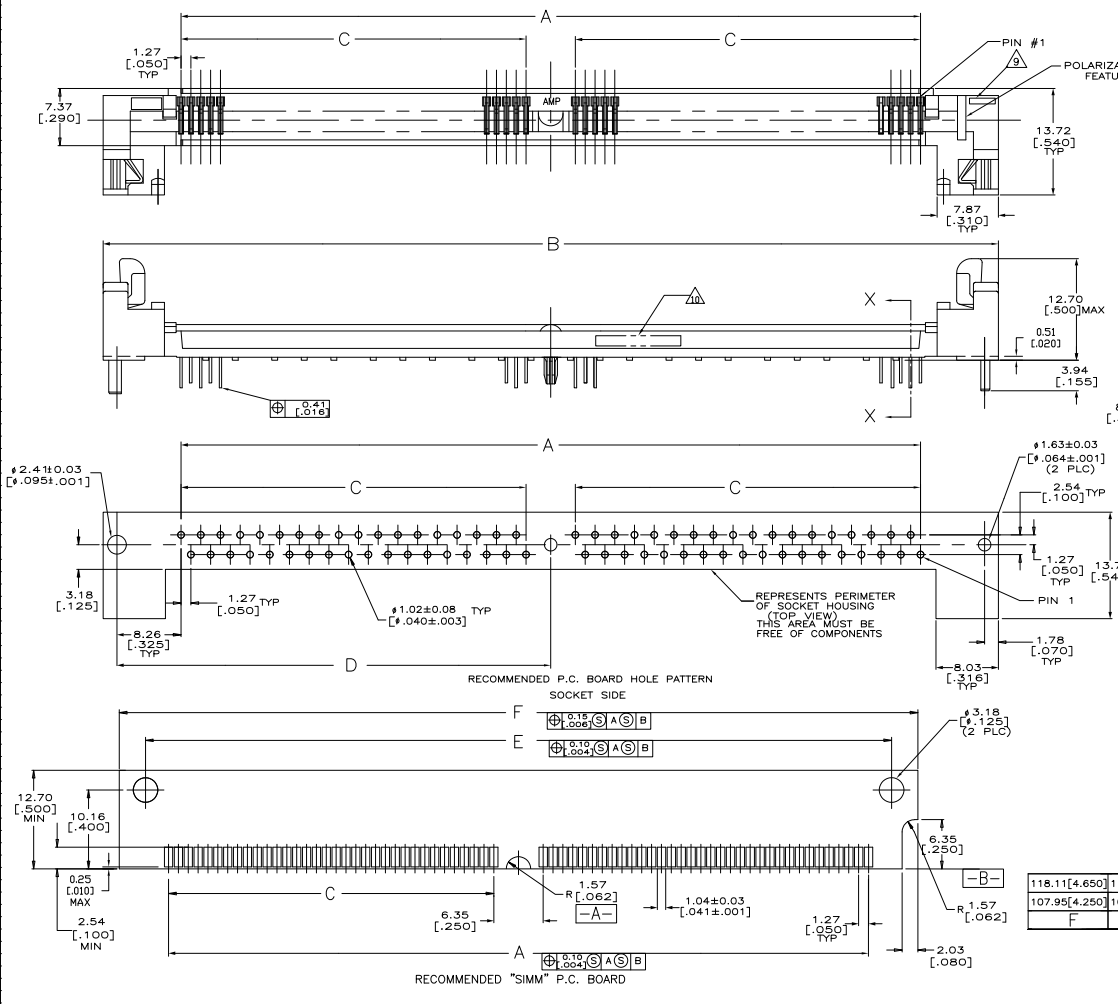
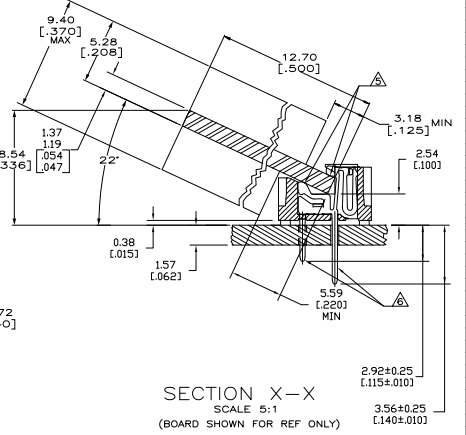


REV	DATE	DESCRIPTION	BY	CHK	APP
00					
B		REVISED PER ECO-06-007841			



- △ HOUSING-MATERIAL : LIQUID-CRYSTAL-POLYMER.
- △ CONTACT-MATERIAL : PHOS. BRONZE.
- △ LATCH-MATERIAL : STAINLESS STEEL.
- △ CONTACT-PLATE 0.00127 [0.00050] MIN NICKEL ALL OVER.
- △ CONTACT-PLATE 0.00076[0.00030] MIN. GOLD AT CONTACT PTS.
- △ CONTACT SOLDERTAILS-PLATE 0.00508[0.00200] MIN MATTE TIN.
- 7. IN ADDITION TO THOSE RECOMMENDED "SIMM" P.C. BOARD DIMENSIONS AND TOLERANCES SHOWN, ALL JEDEC SPECIFICATIONS APPLY AS SHOWN ON MO-116, ISSUE A.
- 8. RECOMMENDED MATING S.I.M.M. TAB METALLURGY: BASE METAL-COPPER, PLATING TO BE 0.00076[0.00030] MIN GOLD OVER 0.00127[0.00050] MIN NICKEL.
- △ 'S' IDENTIFIER LOCATED APPROXIMATELY AS SHOWN.
- △ DATE CODE INFORMATION (YEAR WEEK), LOCATED APPROXIMATELY AS SHOWN ON OPPOSITE SIDE ONLY.



118.11[4.650]	111.35[4.384]	60.96[2.400]	49.53[1.950]	125.48[4.940]	105.41[4.150]	80	5822137-4
107.95[4.250]	101.19[3.984]	55.88[2.200]	44.45[1.750]	115.32[4.540]	95.25[3.750]	72	5822137-3
F	E	D	C	B	A	NO. OF PINS	PART NO

THIS DRAWING IS A CONTROLLED DOCUMENT		BY MICHAEL STANLEY	DATE	11/15/85
APPROVED BY: [Signature]		DATE	11/15/85	
DRAWN BY: [Signature]		DATE	11/15/85	
CHECKED BY: [Signature]		DATE	11/15/85	
REVISIONS:		REV	DATE	DESCRIPTION
		1	11/15/85	CONNECTOR, MICRO-EDGE, .050, LP, GOLD PL. W/METAL LATCH
DRAWING NO:		A1	00779	5822137
CUSTOMER DRAWING		SCALE	4:1	SHEET 1 OF 1