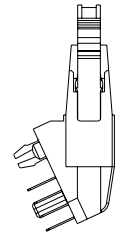
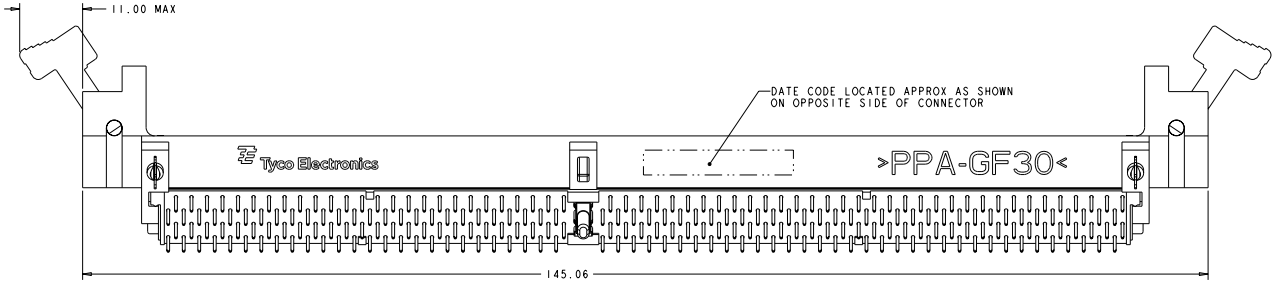
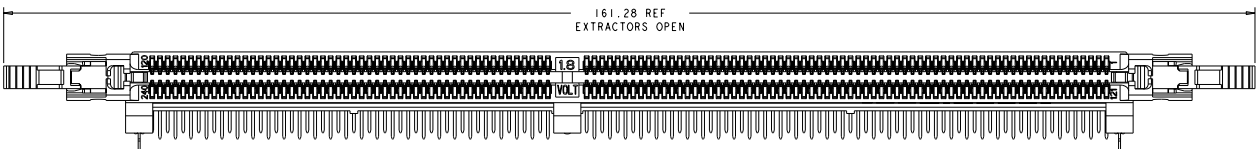
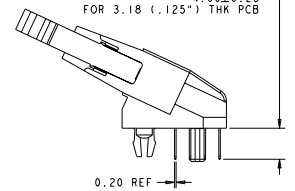
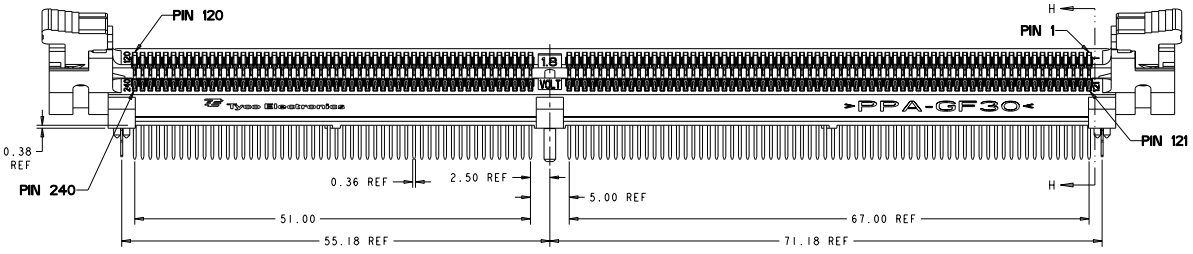


REV	DATE	DESCRIPTION	BY	CHK	APP
A2	ECR-10-013004				



TAIL LENGTHS

- 2.67±0.25 FOR 1.60 (.063") THK PCB
- 3.18±0.25 FOR 2.36 (.093") THK PCB
- 4.00±0.25 FOR 3.18 (.125") THK PCB



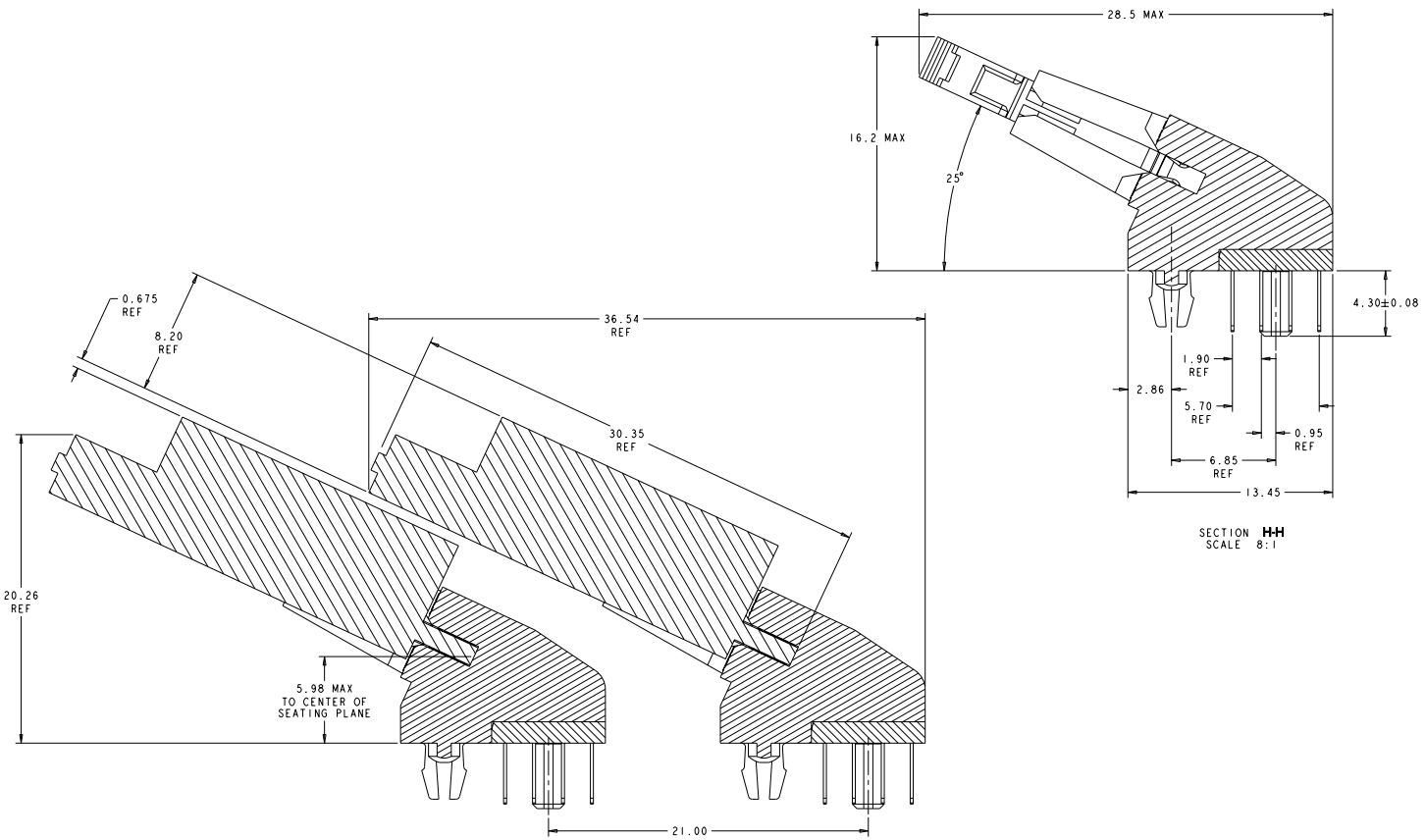
- △ MATERIALS:
HOUSING: HIGH TEMPERATURE THERMOPLASTIC, BLACK, UL94 V-0
EXTRACTOR: HIGH TEMPERATURE THERMOPLASTIC, NATURAL (OFF WHITE)
CONTACTS: COPPER ALLOY
RETENTION BARB: COPPER ALLOY
- △ INTERFACE FINISH:
0.00076 MIN THK GOLD OVER 0.00127 MIN THK NICKEL.
0.00038 MIN THK GOLD OVER 0.00127 MIN THK NICKEL.
- △ SOLDER TAIL FINISH:
0.00300 MIN THK MATTE LEAD FREE PLATING OVER 0.00127 MIN THK NICKEL.
- △ RIGHT HOLE IS GLOBAL D-E ORIGIN FOR ALL POSITIONAL TOLERANCES.
LEFT AND RIGHT NON-PLATED THRU HOLES ESTABLISH [-E-].
- △ FINISHED HOLE SIZE: Ø0.15 MAXIMUM ANNULAR RING.

- △ DATUM [-F-] IS CONNECTOR SIDE SURFACE OF PCB.
- △ PORE BLOCKER APPLIED TO CONTACT INTERFACE.

CONTACT GOLD INTERFACE	TAIL LENGTH	PART NUMBER
0.00038 MIN	4.00	1888029-6
0.00038 MIN	3.18	1888029-5
0.00038 MIN	2.67	1888029-4
0.00076 MIN	4.00	1888029-3
0.00076 MIN	3.18	1888029-2
0.00076 MIN	2.67	1888029-1

DATE: 10/10/04 DRAWN BY: [Signature] CHECKED BY: [Signature] APPROVED BY: [Signature]	DATE: 10/10/04 PART NO: 188-2188 SPECIFICATION NO: 114-13130 CUSTOMER DRAWING: A 00778 1888029	Tyco Electronics Corporation SALES GROUP 80 6000 SOCKET ASSEMBLY 25 DEGREE TB DIMM 240 POSITION
------------------------------------------------------------------------------------------------	-------------------------------------------------------------------------------------------------------------	-------------------------------------------------------------------------------------------------------------

REV. NO.		DATE	DESCRIPTION	BY	CHK
ES	00		SEE SHEET 1		

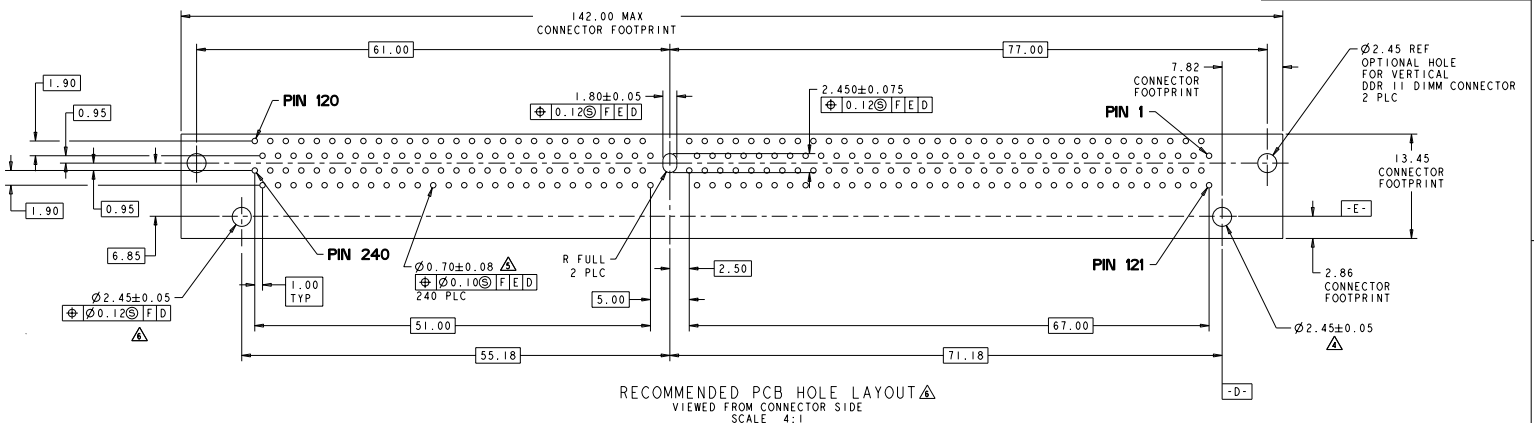


MINIMUM RECOMMENDED ROW TO ROW SPACING

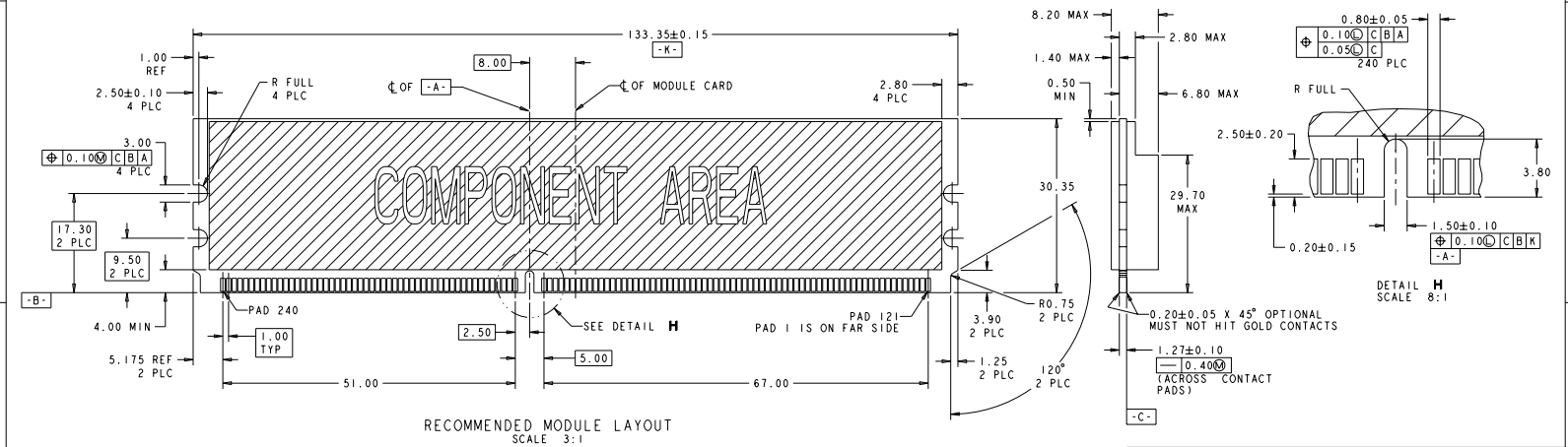
SCALE 8:1

TOSHIBA ELECTRONIC COMPONENTS CORPORATION TOSHIBA ELECTRONIC COMPONENTS CORPORATION		DATE: 12 JUL 2005 DRAWN BY: T. HIGASHI CHECKED BY: M. YAMAMOTO		TOSHIBA ELECTRONIC COMPONENTS CORPORATION SAICHU GUPPO RD 6600	
PART NO.: 188-2189 SPECIFICATION NO.: 114-13130		PROJECT NO.: DRAWING NO.: 00778		SOCKET ASSEMBLY 25 DEGREE TB DIMM 240 POSITION	
MATERIAL: FINISH:		STATE: CALIFORNIA CITY: TAYLOR		DRAWN BY: T. HIGASHI CHECKED BY: M. YAMAMOTO DATE: 12 JUL 2005	

REV	DATE	DESCRIPTION	BY	CHK	APP
ES	00	SEE SHEET 1			



RECOMMENDED PCB HOLE LAYOUT
VIEWED FROM CONNECTOR SIDE
SCALE 4:1



RECOMMENDED MODULE LAYOUT
SCALE 3:1

DATE: 07/20/2005	BY: TSC ELECTRONICS CORPORATION	SALES: SALES 00 6600
DESIGNED BY: TSC	DESIGNED BY: TSC	DESIGNED BY: TSC
PROJECT NO: 188-2188	PROJECT NO: 188-2188	PROJECT NO: 188-2188
CONTRACTOR: TSC	CONTRACTOR: TSC	CONTRACTOR: TSC
SCALE: 3:1	SCALE: 3:1	SCALE: 3:1
REV: A	REV: A	REV: A
CUSTOMER DRAWING	CUSTOMER DRAWING	CUSTOMER DRAWING