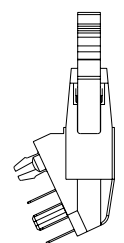
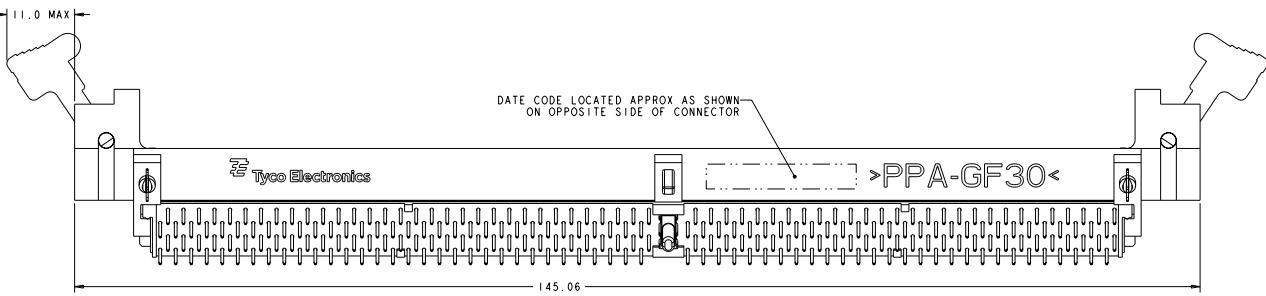
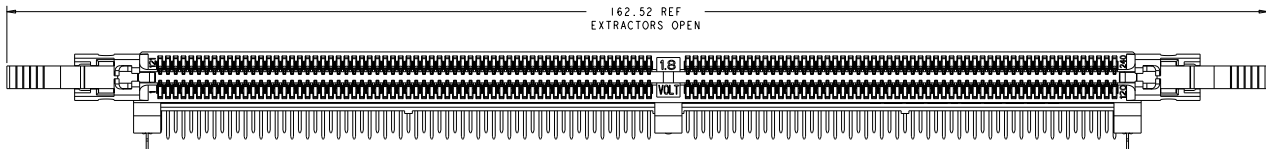


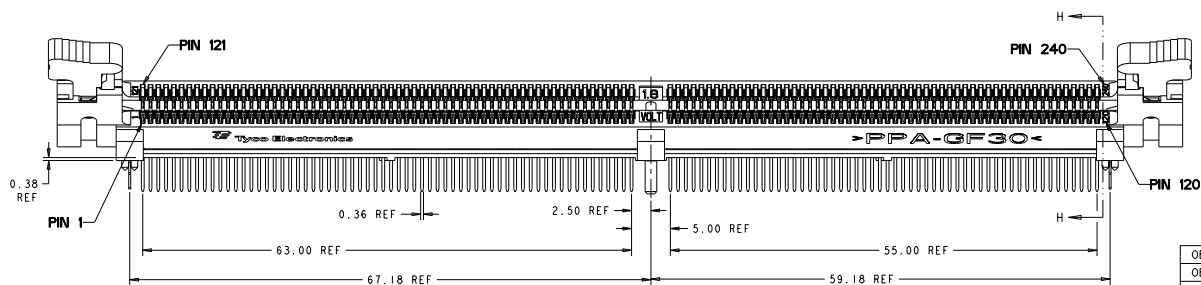
DATE VARIATION TO IMPROVEMENTS REVISIONS FOR PUBLICATION  
 BY THIS ELECTRONICS CORPORATION. ALL RIGHTS RESERVED.

REV	DATE	DESCRIPTION	BY	CHK	APP
A2	ECR-10-013006				



TAIL LENGTHS

2.67±0.25	FOR 1.60 (.063") THK PCB
3.18±0.25	FOR 2.36 (.093") THK PCB
4.00±0.25	FOR 3.18 (.125") THK PCB



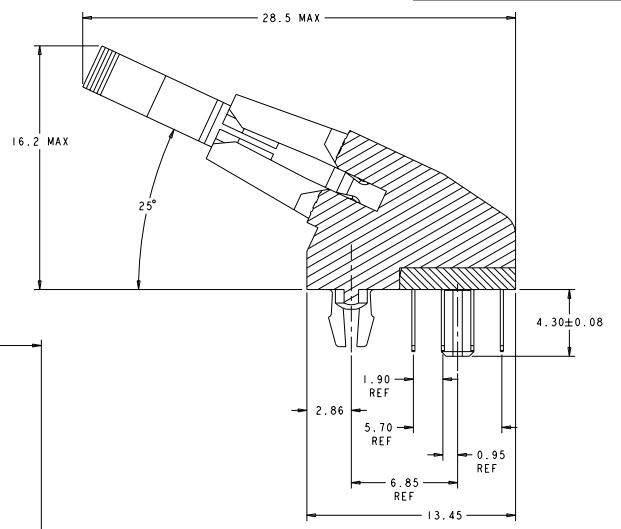
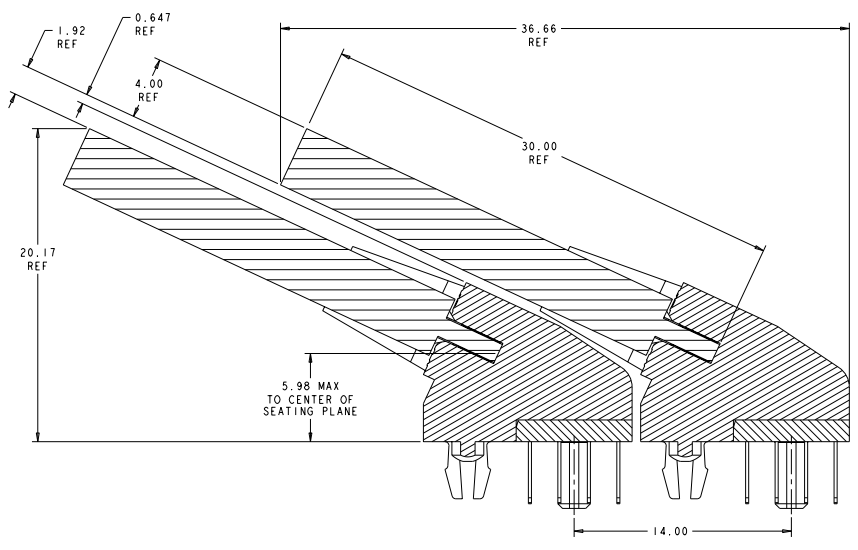
CONTACT GOLD INTERFACE	TAIL LENGTH	PART NUMBER	
OBsolete	0.00008 MIN	4.00	1658912-9
OBsolete	0.00008 MIN	3.18	1658912-8
OBsolete	0.00008 MIN	2.67	1658912-7
	0.00038 MIN	4.00	1658912-6
	0.00038 MIN	3.18	1658-12-5
	0.00038 MIN	2.67	1658912-4
	0.00076 MIN	4.00	1658912-3
	0.00076 MIN	3.18	1658912-2
	0.00076 MIN	2.67	1658912-1

- △ MATERIALS:  
 HOUSING: HIGH TEMPERATURE THERMOPLASTIC, BLACK, UL94 V-0  
 EXTRACTOR: HIGH TEMPERATURE THERMOPLASTIC, NATURAL (OFF WHITE)  
 CONTACTS: COPPER ALLOY  
 RETENTION BARB: COPPER ALLOY
- △ INTERFACE FINISH:  
 0.00076 MIN THK GOLD OVER 0.00127 MIN THK NICKEL.  
 0.00038 MIN THK GOLD OVER 0.00127 MIN THK NICKEL.
- △ SOLDER TAIL FINISH:  
 0.00300 MIN THK MATTE LEAD FREE PLATING OVER 0.00127 MIN THK NICKEL.
- △ RIGHT HOLE IS GLOBAL D-E ORIGIN FOR ALL POSITIONAL TOLERANCES.  
 LEFT AND RIGHT NON-PLATED THRU HOLES ESTABLISH [-E-].
- △ FINISHED HOLE SIZE: Ø.015 MAXIMUM ANNULAR RING.

△ DATUM [-F-] IS CONNECTOR SIDE SURFACE OF PCB.  
 △ PORE BLOCKER APPLIED TO CONTACT INTERFACE

DRAWING NO. 1658912-2 REV. 01 DATE 11-13-90 BY 00778 CHECKED BY 00778 CUSTOMER DRAWING	MCGILLWILLIAMS 1658-2189 114-13130 00778	Tyco Electronics Corporation SALES OFFICE 80 6600 SOCKET ASSEMBLY 25 DEGREE DOWN 11 DUMM 240 POSITION STANDARD FOOTPRINT 1658912-2 1658912-2
---	---	--

REV	DATE	DESCRIPTION	BY	CHK	APP
ES	00	SEE SHEET 1			



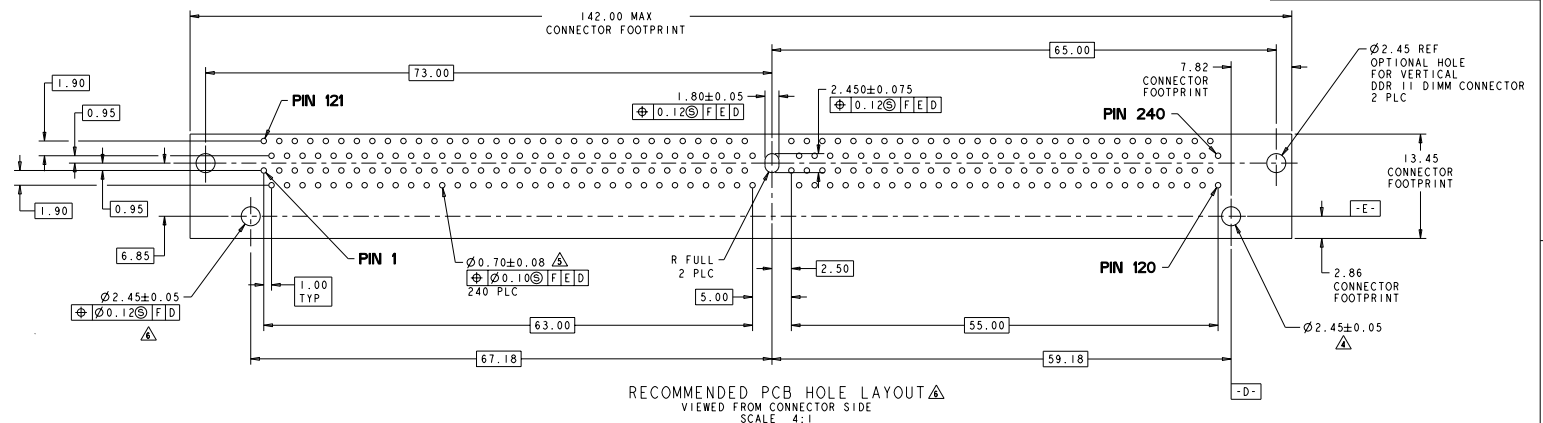
SECTION H-H  
SCALE 8:1

MINIMUM RECOMMENDED ROW TO ROW SPACING  
FOR 4mm THICK MODULE

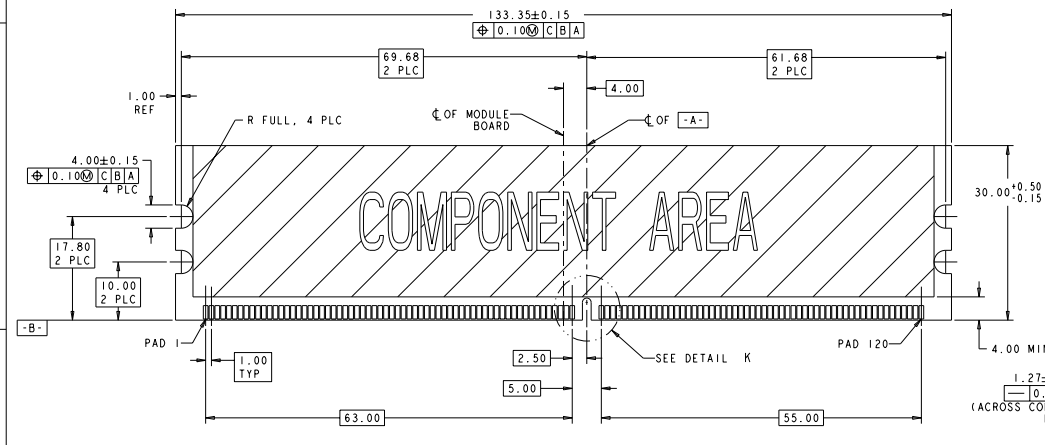
SCALE 8:1

DATE: 08/11/2010 TIME: 10:00 AM DRAWING NO: 1658912		REV: 00 DATE: 08/11/2010 TIME: 10:00 AM		DRAWN BY: J. J. JONES CHECKED BY: J. J. JONES APPROVED BY: J. J. JONES	
TITLE: SOCKET ASSEMBLY 25 DEGREE DDM 11 DIMM 240 POSITION STANDARD FOOTPRINT		PART NO: 1658912 REV: 00		CUSTOMER: CUSTOMER DRAWING	
MATERIAL:		FINISH:		TOLERANCES:	

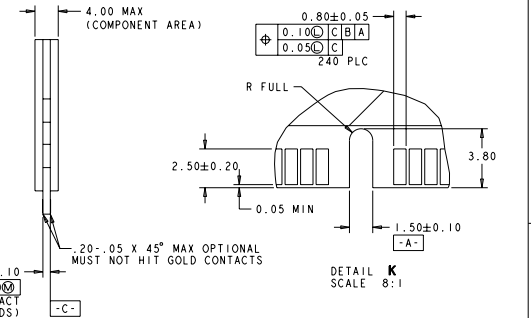
REVISOR		REVISIONS	
DATE	DESCRIPTION	DATE	BY
ES 00	SEE SHEET 1		



RECOMMENDED PCB HOLE LAYOUT  
VIEWED FROM CONNECTOR SIDE  
SCALE 4:1



RECOMMENDED MODULE LAYOUT  
SCALE 3:1



DETAIL K  
SCALE 8:1

DATE: 08/24/22	BY: PCB ELECTRONICS CORPORATION	PROJECT: 1658912	REV: 00
DESIGNED BY: MCGILL	DESIGNED BY: MCGILL	DATE: 08/24/22	BY: MCGILL
PROJECT: 1658912	REV: 00	DATE: 08/24/22	BY: MCGILL
CUSTOMER DRAWING		PAGE 1 OF 3	