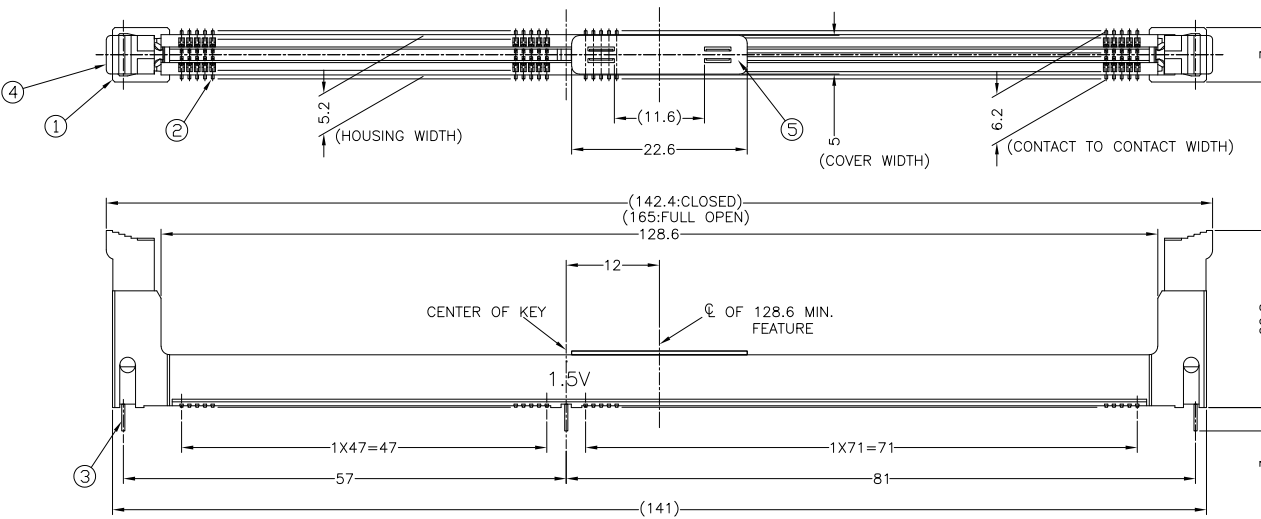


THIS DRAWING IS UNPUBLISHED. RELEASED FOR PUBLICATION
 © COPYRIGHT - BY TYCO ELECTRONICS CORPORATION. ALL RIGHTS RESERVED.

LOC	DIST	REVISIONS		
J		P	LTR	DESCRIPTION
		C		RELEASED
				DATE
				DWN
				APVD
				06APR09
				K.M
				K.I



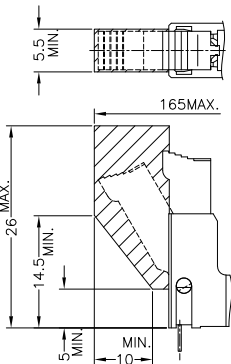
1	COVER	(5)
2	EXTRACTOR	(4)
3	LEG	(3)
240	CONTACT	(2)
1	HOUSING	(1)
QTY	NAME	ITEM

- MATERIAL
 HOUSING : THERMOPLASTIC, UL94V-0,
 CONTACT : COPPER ALLOY
 LEG : COPPER ALLOY
 EXTRACTOR : THERMOPLASTIC, UL94V-0
 COVER : THERMOPLASTIC, UL94V-0, MILK-WHITE

- FINISH
 CONTACT : SEE TABLE
 SOLDER PEG : TIN PL., NI UNDER PL. ALL OVER
- GENERAL TOLERANCES : $10 \geq$: ± 0.2
 > 10 : ± 0.3
 ANGLES : $\pm 3'$

4. CONFORMS TO THE REQUIREMENTS OF
 EIA/ECA-364-1000.01A (CONTROLLED ENVIRONMENT APPLICATIONS,
 AND TE PRODUCT SPECIFICATION 108-78570.

BLACK	NATURAL	Au PL. 0.00076mm MIN. ON CONTACT AREA TIN PL. ON SOLDERING AREA NI UNDER PL. 0.00127mm ALL OVER	2040727-7
BLACK	BLACK	Au PL. 0.00076mm MIN. ON CONTACT AREA TIN PL. ON SOLDERING AREA NI UNDER PL. 0.00127mm ALL OVER	2040727-6
NATURAL	NATURAL	Au PL. 0.00076mm MIN. ON CONTACT AREA TIN PL. ON SOLDERING AREA NI UNDER PL. 0.00127mm ALL OVER	2040727-5
BLACK	NATURAL	Au PL. 0.00038mm MIN. ON CONTACT AREA TIN PL. ON SOLDERING AREA NI UNDER PL. 0.00127mm ALL OVER	2040727-4
BLACK	NATURAL	Au PL. 0.00038mm MIN. WITH Pd-Ni 0.00076mm MIN. ON CONTACT AREA TIN PL. ON SOLDERING AREA NI UNDER PL. 0.002mm ALL OVER	2040727-1
HOUSING COLOR	EXTRACTOR COLOR	CONTACT FINISH	PART NUMBER



KEEP OUT AREA RESERVED FOR EXTRACTORS
 (HATCHING AREA, 2 PLC TYP.)

THIS DRAWING IS A CONTROLLED DOCUMENT.		DWN T. KAWAMAE 22AUG08	Tyco Electronics Tyco Electronics AMP K.K. Kawasaki, Japan	
DIMENSIONS: 単位: 寸 mm		CHK K. IKEGAMI 22AUG08	NAME 名称	SOCKET ASSEMBLY DDR-III, SMT, 240P
TOLERANCES UNLESS OTHERWISE SPECIFIED: 単位: 寸 mm		APVD K. IKEGAMI 22AUG08	PRODUCT SPEC 製品規格 108-78570	RESTRICTED TO
0 PLC ± - 1 PLC ± - 2 PLC ± - 3 PLC ± - 4 PLC ± - ANGLES ± -		APPLICATION SPEC 取付適用規格	SIZE A.3	CAGE CODE 00779
MATERIAL 材料 SEE NOTE		WEIGHT 6.4g	DRAWING NO 番号 2040727	SCALE 尺度 2:1
FINISH 仕上 SEE NOTE		CUSTOMER DRAWING	SHEET 1 of 4	REV C

4

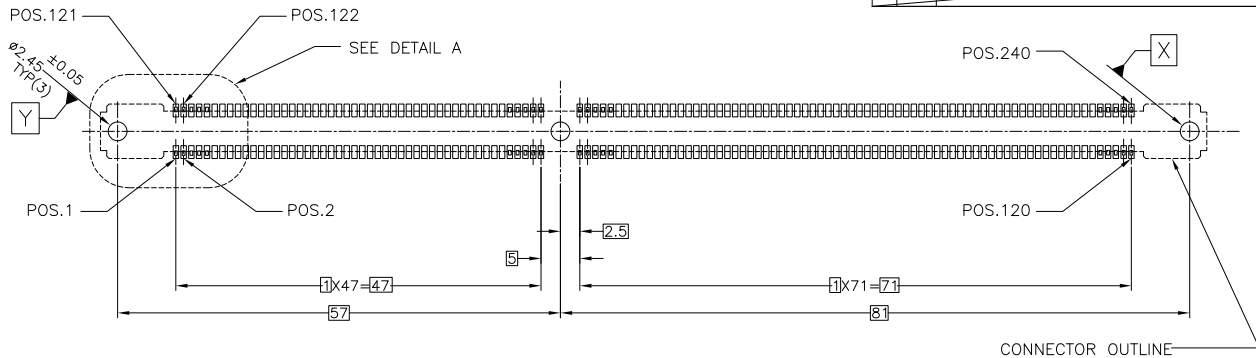
3

2

1

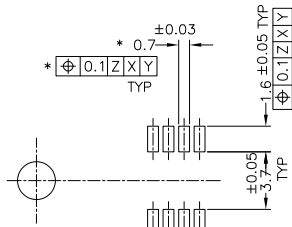
THIS DRAWING IS UNPUBLISHED. RELEASED FOR PUBLICATION
 © COPYRIGHT - BY TYCO ELECTRONICS CORPORATION. ALL RIGHTS RESERVED.

LOC	DIST	REVISIONS			
P	LTR	DESCRIPTION	DATE	DWN	APVD
-	-	SEE SHEET 1	-	-	-



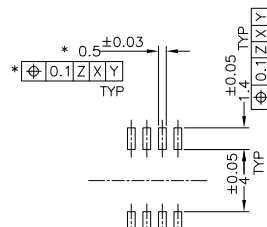
REFERENCE PCB LAYOUT
 (VIEWED FROM CONNECTOR SIDE)

Z : PCB SURFACE



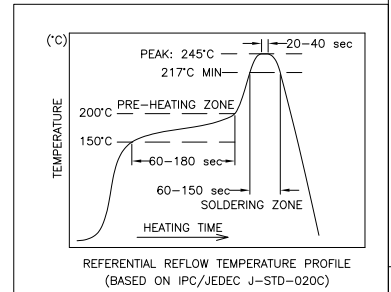
DETAIL A
 (4:1)

*: TOLERANCE; NON-CUMMIRATIVE



REFERENTIAL METAL MASK PAD OPENING
 (4:1)

*: TOLERANCE; NON-CUMMIRATIVE



RECOMMENDED PC BOARD X/Y CTE. 10-14 [ppm/DEGREE CELSIUS]
 PLEASE VERIFY CTE MATCHING BEFORE USING THE SOCKETS.
 FOR ANY INQUIRY. PLEASE CONTACT TYCO ELECTRONICS.

THIS DRAWING IS A CONTROLLED DOCUMENT.		DWN	Tyco Electronics AMP K.K. Kawasaki, Japan	
DIMENSIONS: 単位: 寸 mm	TOLERANCES UNLESS OTHERWISE SPECIFIED: 一般公差	CHK	NAME 名称	SOCKET ASSEMBLY DDR-III, SMT, 240P
	0 PLC ± -	APVD	PRODUCT SPEC 製品規格	SIZE A3 CAGE CODE 00779 DRAWING NO 2040727 RESTRICTED TO
	1 PLC ± -	APPLICATION SPEC 取付適用規格	WEIGHT	
MATERIAL 材料	FINISH 仕上	CUSTOMER DRAWING		SCALE 2:1 SHEET 2 OF 4 REV C

4

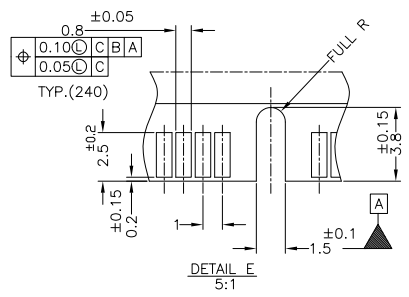
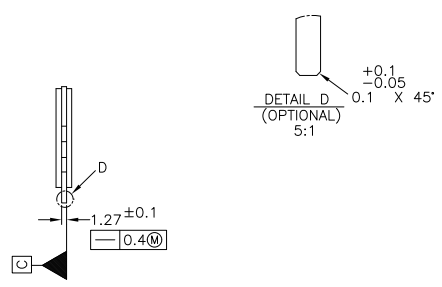
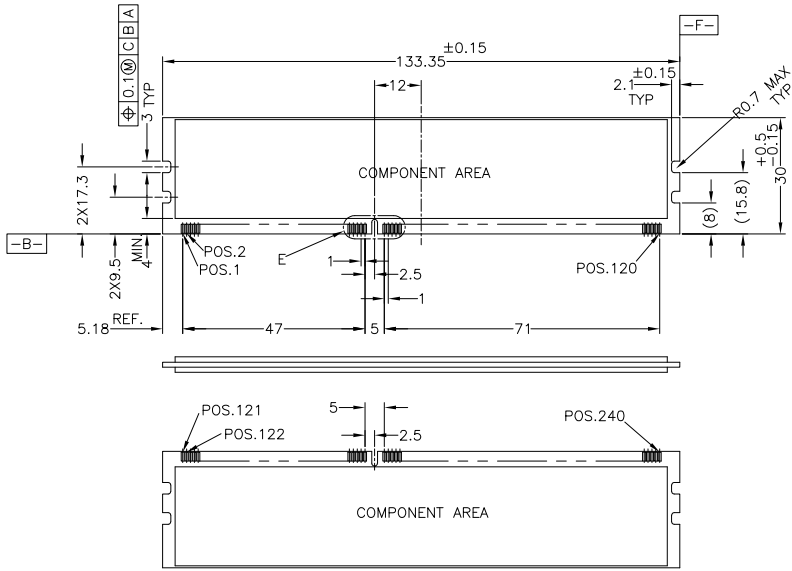
3

2

1

THIS DRAWING IS UNPUBLISHED. RELEASED FOR PUBLICATION
 COPYRIGHT BY TYCO ELECTRONICS CORPORATION. ALL RIGHTS RESERVED.

LOC		DIST		REVISIONS			
P	LTR	DESCRIPTION		DATE	OWN	APVD	
SEE SHEET 1							



REFERENCE DIMM PCB LAYOUT

- RECOMMENDED PLATING FOR CONTACT PADS ARE:
- 1) PREFERABLE PLATING : ELECTROLYTIC GOLD PLATING 0.76 MICROMETERS MINIMUM OVER ELECTROLYTIC NICKEL 2.00 MICROMETERS MINIMUM.
 - 2) ALTERNATIVE PLATING : GOLD PLATING 0.05-0.75 MICROMETERS OVER NICKEL 2.00 MICROMETERS MINIMUM MUST USE AN ELECTRONIC CONTACT GRADE CORROSIVE BARRIER LUBRICANT.

THIS DRAWING IS A CONTROLLED DOCUMENT.		DWN	Tyco Electronics		Tyco Electronics AMP K.K.
DIMENSIONS: 単位: 寸 (mm)		CHK	NAME 名称		Kawasaki, Japan
TOLERANCES UNLESS OTHERWISE SPECIFIED: 公差表		APVD	PRODUCT SPEC 製品規格		SOCKET ASSEMBLY
0 PLC ± -		APPLICATION SPEC 取付適用規格		DDR-III, SMT, 240P	
1 PLC ± -		WEIGHT	SIZE A3	CAGE CODE 00779	DRAWING NO 2040727
2 PLC ± -		CUSTOMER DRAWING		SCALE 1:1	SHEET 3 OF 4
3 PLC ± -				REV C	
4 PLC ± -					
5 PLC ± -					
6 PLC ± -					
FINISH 仕上					
MATERIAL 材料					
RESTRICTED TO					

AMP 1470-19 REV 31MAR2000

