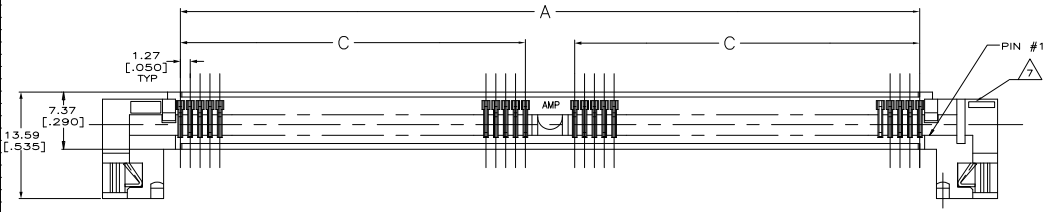
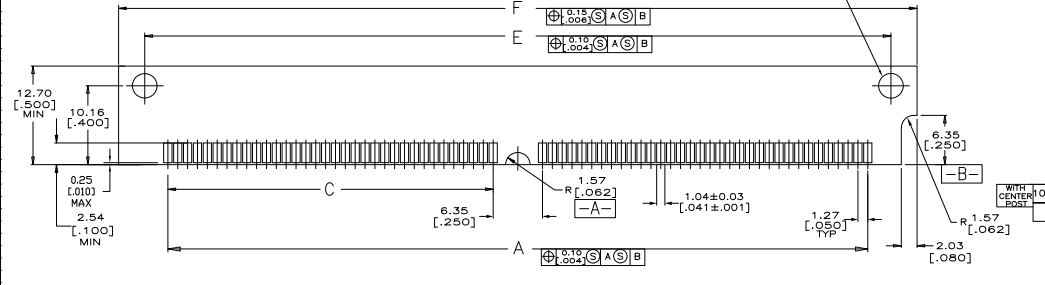
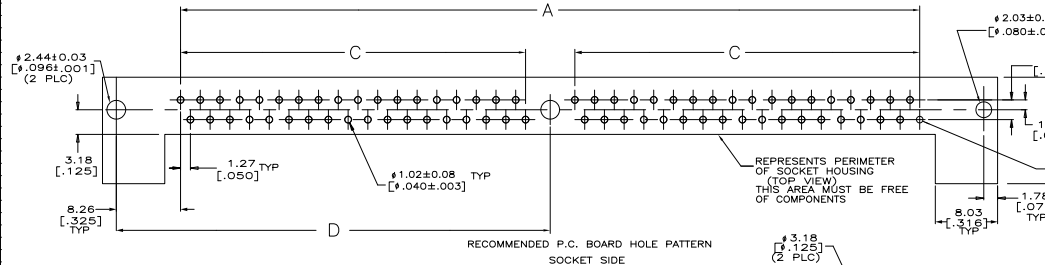
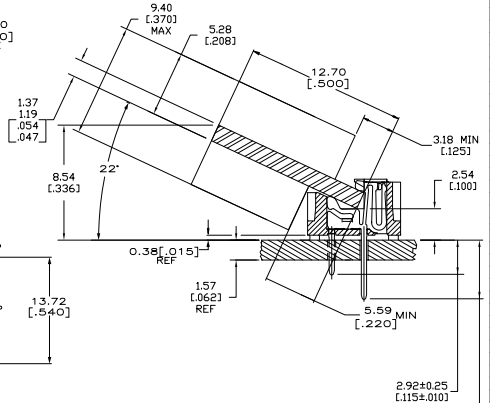
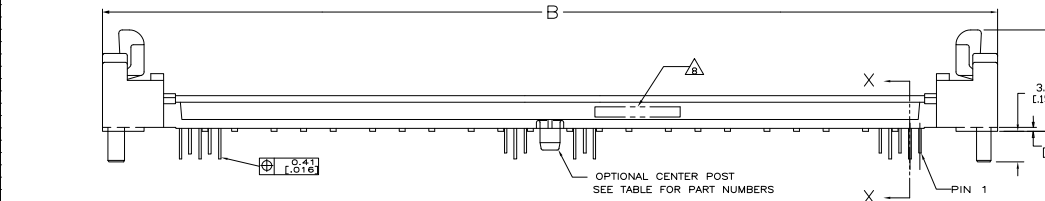


REV	DATE	DESCRIPTION	BY	CHK	APP
GP 00					
B		REVISED PER ECO-06-027841			



- △ HOUSING-MATERIAL : LIQUID-CRYSTAL-POLYMER.
- △ CONTACT-MATERIAL : PHOS. BRONZE.
- △ LATCH-MATERIAL : STAINLESS STEEL.
- △ CONTACT-PLATE: 0.00508[.000200] MIN. MATTE TIN OVER 0.00127 [.00050] MIN NICKEL.
- 5. IN ADDITION TO THOSE RECOMMENDED "SIMM" P.C. BOARD DIMENSIONS AND TOLERANCES SHOWN, ALL JEDEC SPECIFICATIONS APPLY AS SHOWN ON MO-116, ISSUE A.
- 6. RECOMMENDED MATING S.I.M.M. TAB METALLURGY:  
 BASE METAL-COPPER. PLATING TO BE 0.00762[.000300] MIN TIN/LEAD OVER 0.00127[.000050] MIN NICKEL.
- △ 'S' IDENTIFIER LOCATED APPROXIMATELY AS SHOWN.
- △ DATE CODE INFORMATION (YEAR WEEK), LOCATED APPROXIMATELY AS SHOWN ON OPPOSITE SIDE ONLY.



WITH CENTER POST	F	E	D	C	B	A	NO. OF PINS	PART NO.
	07.95[4.250]	101.19[3.984]	55.88[2.200]	44.45[1.750]	115.32[4.540]	95.25[3.750]	72	5822110-3

THIS DRAWING IS A CONTROLLED DOCUMENT.		SEARCHED		INDEXED		FILED		SERIALIZED	
DRAWING NO. 5822110-3		DATE 10/11/85		BY J. J. MCDONALD		CHECKED BY J. J. MCDONALD		APPROVED BY J. J. MCDONALD	
TITLE CONNECTOR, MICRO-EDGE, .050, LP, TIN PL. W/METAL LATCH		PART NO. 5822110		REV. A		DATE 10/11/85		DRAWN BY J. J. MCDONALD	