

4

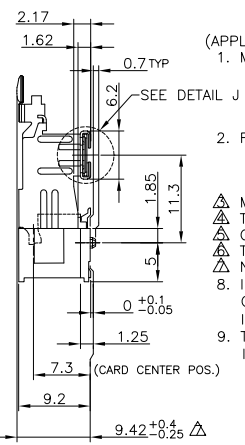
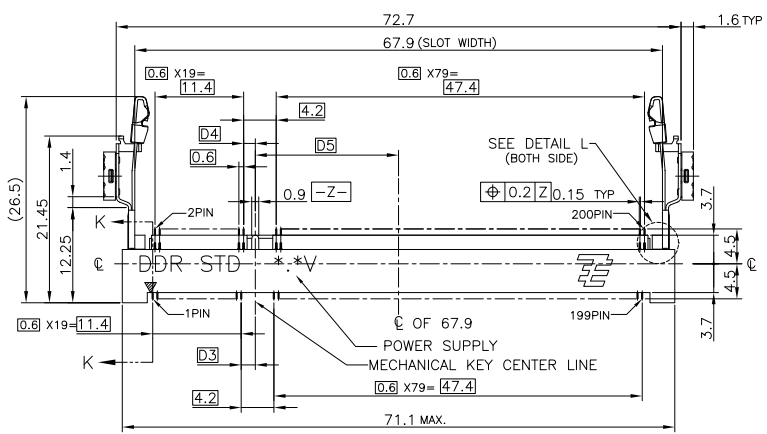
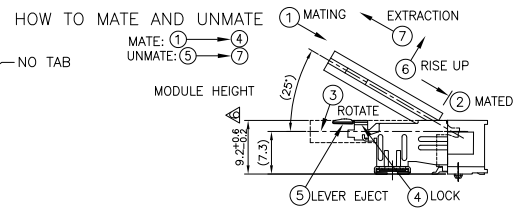
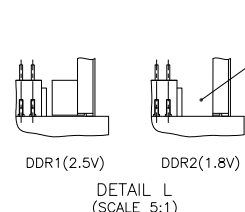
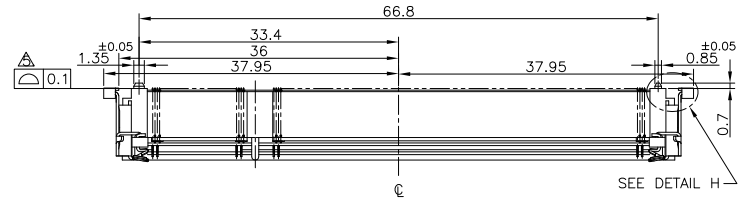
3

2

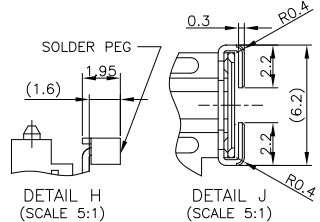
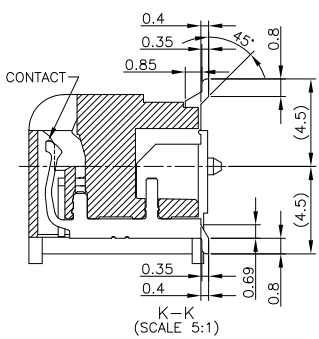
1

THIS DRAWING IS UNPUBLISHED. RELEASED FOR PUBLICATION OCT. 2002.
 © COPYRIGHT 2002 By - ALL RIGHTS RESERVED.

LOC		DIST		REVISIONS			
P	LTR	DESCRIPTION	DATE	DWN	APVD		
E3		REVISED PER ECO-11-005033	26MAR11	RK	HMR		



- (APPLIED TO SHEET 1-2)
- MATERIAL ; HOUSING: HIGH TEMPERATURE THERMO PLASTIC UL94V-0
 CONTACT: COPPER ARROY
 LOCK LEVER: STAINLESS STEEL
 SOLDER PEG: COPPER ARROY
 FINISH ; CONTACT AREA: GOLD FLASH ON 0.0013MIN ALL OVER NICKEL.
 SOLDERING AREA: GOLD FLASH PLT.
 SOLDER PEG: TIN PLATING.
 - MECHANICAL KEY POSITION OF CONNECTOR SEE TABLE.
 TOLERANCES NON-CUMULATIVE.
 COPLANARITY : 0.1 MAX.
 THE FLOATING VALUE BY SOLDERING IS NOT INCLUDED.
 NOT MATING CONDITION.
 - IF THE MODULE DOESN'T INSERT AND LOCK IN THE LATCH SMOOTHLY, OPEN WIDE BOTH LATCHES BY MANUAL. AND THE MODULE MUST BE INSERTED AND LOCKED IN THE LATCH.
 - THE SHAPE OF HOUSING AT KEY AREA IS FREE BASICALLY TO IMPROVE HOUSING WARPAGE



GENERAL TOLERANCE
 10 ≥ : ±0.2
 30 ≥ > 10 : ±0.25
 100 ≥ > 30 : ±0.3
 ANGLES : ±3°

AVAILABLE	1.8V (DDR2)	17.55	2.4	2.7	200	1612618-4
AVAILABLE	2.5V (DDR1)	18.45	1.5	1.8	200	1612618-1
TOOLING STATUS	POWER SUPPLY (TYPE)	D5	D4	D3	POS	PART NO.

THIS DRAWING IS A CONTROLLED DOCUMENT.

DIMENSIONS: MM	TOLERANCES UNLESS OTHERWISE SPECIFIED:	DWN J.TANIGAWA 21OCT02	 TE Connectivity NAME: DDR1 & DDR2 SODIMM SOCKET 0.6mm PITCH 200POS 9.2mm HEIGHT STANDARD TYPE
		CHK H.KODAMA 21OCT02	
		APVD I.NENOMOTO 21OCT02	
		PRODUCT SPEC 108-5701	
MATERIAL	FINISH	APPLICATION SPEC	RESTRICTED TO
		WEIGHT 8.3g	SIZE A3 CAGE CODE 00779 DRAWING NO. C-1612618
CUSTOMER DRAWING		SCALE 2:1	SHEET 1 of 4 REV E3

4

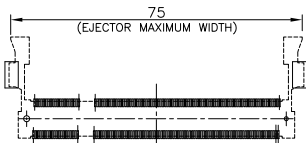
3

2

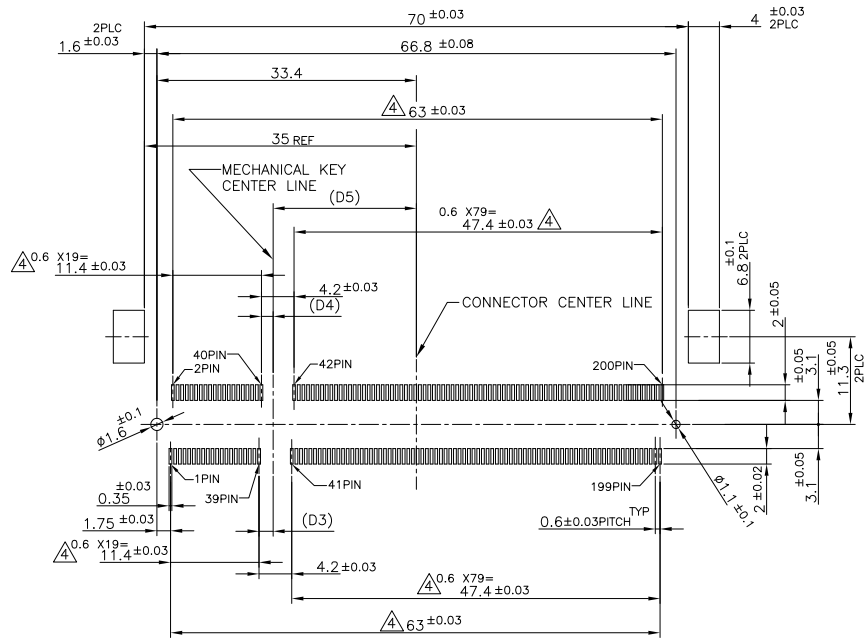
1

THIS DRAWING IS UNPUBLISHED. RELEASED FOR PUBLICATION OCT. 2002.
 © COPYRIGHT 2002 By - ALL RIGHTS RESERVED.

LOC		REVISIONS				
P	LTR	DESCRIPTION	DATE	DWN	APVD	
ES		SEE SHEET 1				



REAL SIZE (SCALE 1:1)



REFERENCE P.C. BOARD PATTERN LAYOUT FOR DUAL USE (CONNECTOR MOUNTING SIDE)

THIS DRAWING IS A CONTROLLED DOCUMENT.		DWN	STE TE Connectivity		
DIMENSIONS: MM		CHK			
TOLERANCES UNLESS OTHERWISE SPECIFIED:		APVD	NAME		
0 PLC	±	PRODUCT SPEC	DDR1 & DDR2 SODIMM SOCKET		
1 PLC	±	APPLICATION SPEC	0.6mm PITCH 200POS		
2 PLC	±	WEIGHT	9.2mm HEIGHT STANDARD TYPE		
3 PLC	±	CUSTOMER DRAWING	SIZE	CAGE CODE	DRAWING NO
4 PLC	±		A3	00779	C-1612618
ANGLES	±		SCALE		RESTRICTED TO
FINISH			NTS		
			SHEET		REV
			2 of 4		E3

4

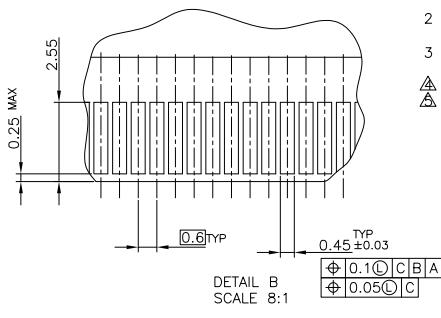
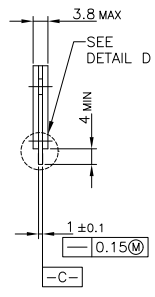
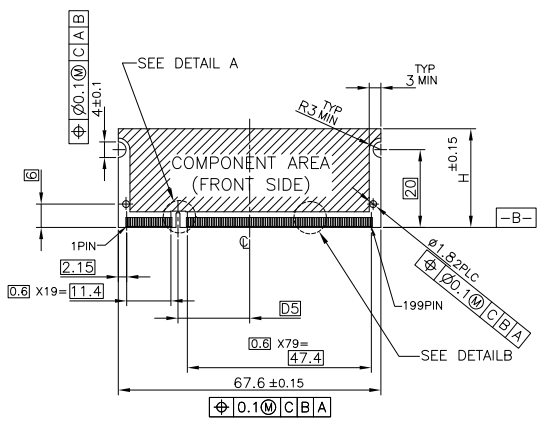
3

2

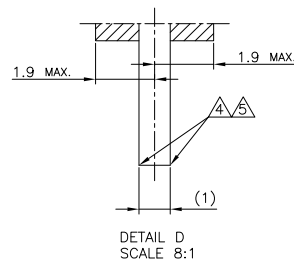
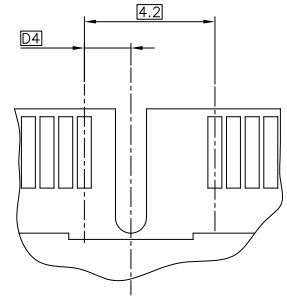
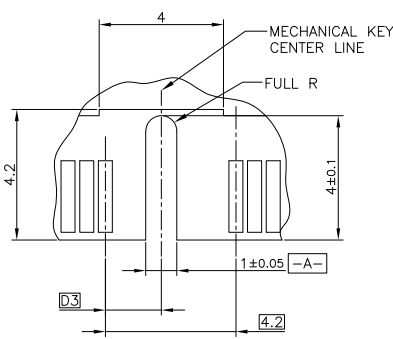
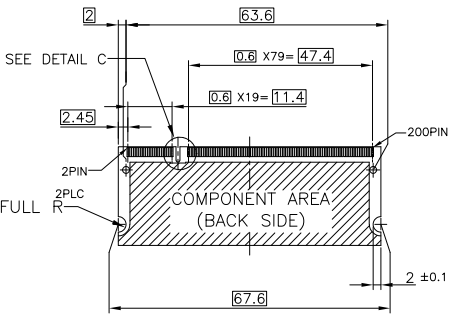
1

THIS DRAWING IS UNPUBLISHED. RELEASED FOR PUBLICATION OCT. 2002.
 © COPYRIGHT 2002 By - ALL RIGHTS RESERVED.

LOC	DIST	REVISIONS				
P	LTR	DESCRIPTION	DATE	DWN	APVD	
ES		SEE SHEET 1				



- (APPLIED TO SHEET 3)
- TOLERANCES ON ALL DIMENSIONS ±0.15 UNLESS OTHERWISE SPECIFIED.
 - P.C. BOARD THICKNESS APPLIES ACROSS TABS AND INCLUDES PLATING AND/OR METALIZATION.
 - FINISH OF PAD : GOLD PLATING 0.00076 MIN. OVER Ni PLATING 0.002MIN.
- ▲ NO BURR.
 ▲ CHAMFER 0.25 MAX x 45° IF EXIST.



推奨基板仕様
 RECOMMENDED MATING P.C.B CONFIGURATION

THIS DRAWING IS A CONTROLLED DOCUMENT.		DWN	
DIMENSIONS:		CHK	
MM	TOLERANCES UNLESS OTHERWISE SPECIFIED:	APVD	
0 PLC	±	PRODUCT SPEC	
1 PLC	±	APPLICATION SPEC	
2 PLC	±	WEIGHT	
3 PLC	±	CUSTOMER DRAWING	
4 PLC	±		
ANGLES	±		
MATERIAL	FINISH		

31.75	1.8V	17.55	2.4	2.7
25.4	2.5V	18.45	1.5	1.8
H	POWER SUPPLY	D5	D4	D3

STE TE Connectivity

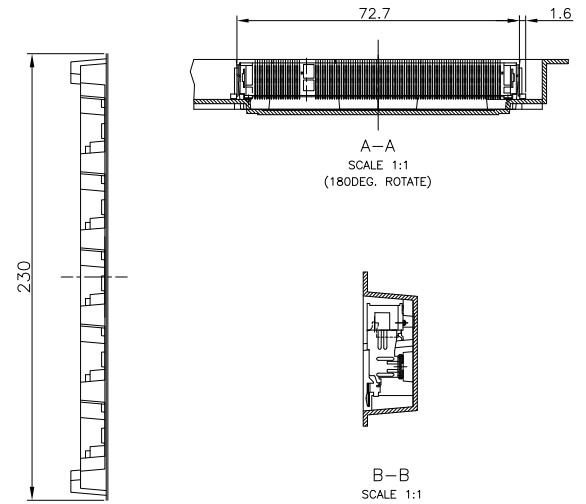
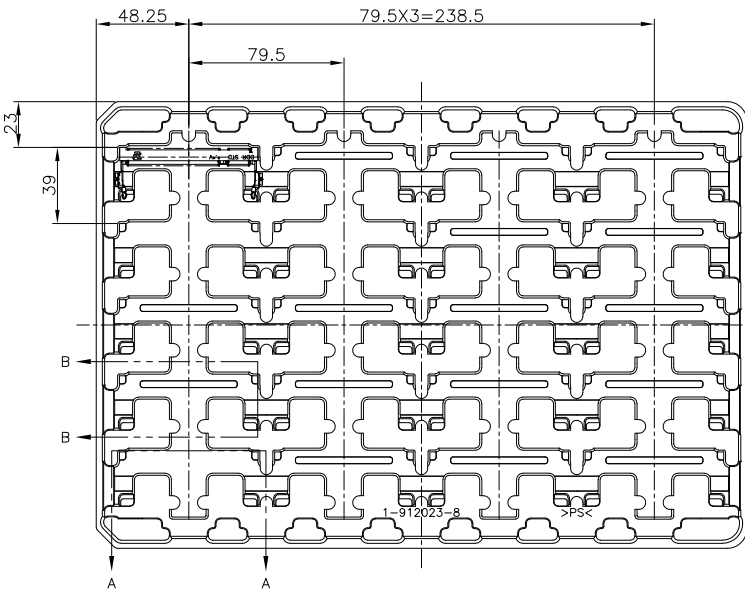
NAME: DDR1 & DDR2 SODIMM SOCKET
 0.6mm PITCH 200POS
 9.2mm HEIGHT STANDARD TYPE

SIZE: A3 CAGE CODE: 00779 DRAWING NO: 1612618 RESTRICTED TO

SCALE: NTS SHEET: 3 of 4 REV: E3

THIS DRAWING IS UNPUBLISHED. RELEASED FOR PUBLICATION OCT. 2002. ALL RIGHTS RESERVED. COPYRIGHT 2002 By -

LOC	DIST	REVISIONS				
P	LTR	DESCRIPTION	DATE	DWN	APVD	
ES		SEE SHEET 1	-	-	-	



1. THE DIRECTION OF EACH CONNECTOR ON A TRAY IS REFERRED TO THIS DRAWING.
2. GENERAL TOLERANCE: ± 0.5

20EA/TRAY	1612618-4
20EA/TRAY	1612618-1
QTY	P/N

THIS DRAWING IS A CONTROLLED DOCUMENT.		DWN	TE Connectivity			
DIMENSIONS: MM		CHK				
TOLERANCES UNLESS OTHERWISE SPECIFIED: 0 PLC ± 0.5 1 PLC ± 0.5 2 PLC ± 0.5 3 PLC ± 0.5 4 PLC ± 0.5 ANGLES $\pm 3^\circ$		APVD	NAME			
MATERIAL		PRODUCT SPEC	DDR1 & DDR2 SODIMM SOCKET			
FINISH		APPLICATION SPEC	0.6mm PITCH 200POS			
		WEIGHT	9.2mm HEIGHT STANDARD TYPE			
		CUSTOMER DRAWING	SIZE	CAGE CODE	DRAWING NO	RESTRICTED TO
			A3	00779	C-1612618	
			SCALE	1:2	SHEET	4 OF 4
					REV	E3