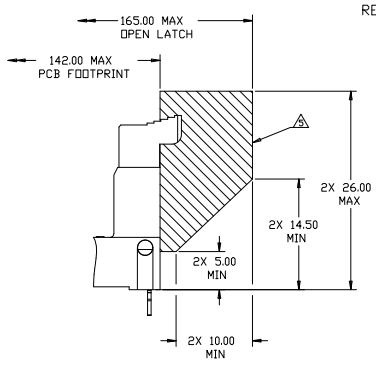


6.85
MAX COMPONENT HEIGHT
IN EXTRACTOR SHADOW
AREA. SEE RECOMMENDED
PCB LAYOUT.

2.67±0.25
FOR 1.60 (.063") THK PCB
3.18±0.25
FOR 2.36 (.093") THK PCB
4.00±0.25
FOR 3.18 (.125") THK PCB

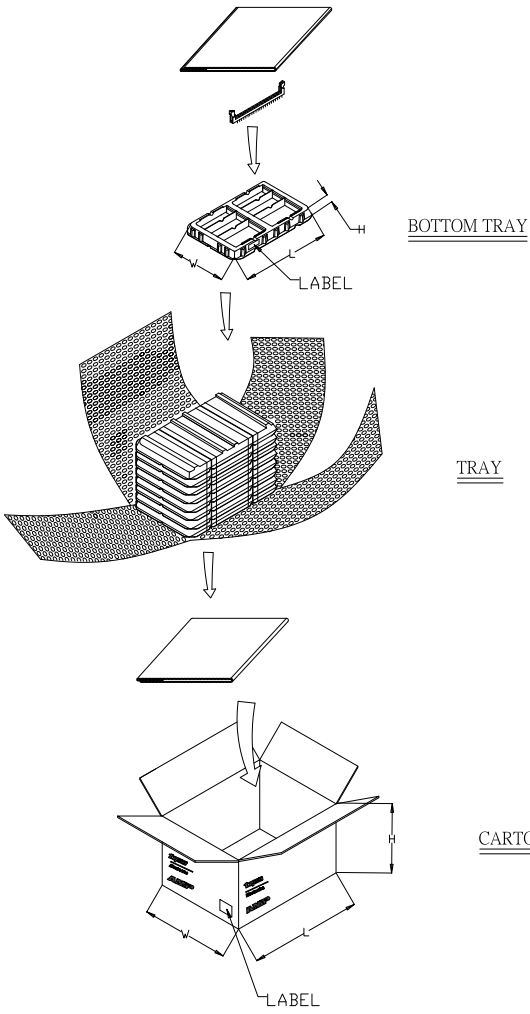


RETENTION BARB TYPE SHOWN ON ALL SHEET UNLESS OTHERWISE NOTED

PLEASE CHECK SHEET 2 FOR PART LIST

- ▲ MATERIALS:
 - HOUSING: HIGH TEMPERATURE NYLON, UL94 V-0
 - EXTRACTOR: HIGH TEMPERATURE THERMOPLASTIC
 - CONTACTS: COPPER ALLOY
 - RETENTION BARB: BRASS, TIN PLATED
- ▲ INTERFACE FINISH:
 - (1) 0.00038 MIN THK GOLD OVER 0.00127 MIN THK NICKEL.
 - (2) 0.00009 MIN THK GOLD OVER 0.00127 MIN THK NICKEL.
 - (3) 0.00076 MIN THK GOLD OVER 0.00127 MIN THK NICKEL.
 - (4) 0.00051 MIN THK GOLD OVER 0.00127 MIN THK NICKEL.
- ▲ FINISHED HOLE SIZE: 0.15 MAXIMUM ANNULAR RING.
- ▲ KEEP OUT ZONE.
- ▲ KEEP OUT AREA RESERVED FOR SOCKET EXTRACTORS, BOTH ENDS.
- ▲ SOLDER TAIL FINISH: 0.00300 MIN THK MATTE TIN OVER 0.00127 MIN THK NICKEL.
- ▲ LED LOCATION AS APPLICABLE PER CUSTOMER.
- ▲ DATUM [G] IS CONNECTOR SIDE SURFACE OF PCB.

THIS DRAWING IS A CONTROLLED DOCUMENT.		DESIGNER: YAN	DRAWING NO: SW02007	DATE: 10/20/07	REVISED FOR: EDR-10-02410
CHECKED: ZHOU		ED: ZHOU	SW02007	DATE: 10/20/07	REVISED FOR: EDR-10-02410
DRAWING NO: 108-60071		REVISED FOR: EDR-10-02410	DATE: 11/4-13/14	REVISED FOR: EDR-10-02410	DATE: 11/4-13/14
CUSTOMER DRAWING		DATE: 11/4-13/14	REVISED FOR: EDR-10-02410	DATE: 11/4-13/14	REVISED FOR: EDR-10-02410



- NOTES:
- MATERIAL:
 - 1.1 TRAY: PVC
 - 1.2 SHIPPING CARTON : CORRUGATED FIBERBOARD
 - DIMENSION :
 - 2.1 TRAY : L=363, W=255, H=33
 - 2.2 SHIPPING CARTON : L=375, W=265, H=280
 - QUANTITY :
 - 3.1 PRIMARY PACKING : 50 PCS/TRAY
 - 3.2 SECONDARY PACKING : 8 TRAY/CARTON(400PCS)
 - WEIGHT :
 - 4.1 NET WEIGHT : 3.76 KG
 - 4.2 GROSS WEIGHT: 6.00 KG

THIS DRAWING IS A CONTROLLED DOCUMENT.		DESIGNER: YAN	DATE: 201607	TYS Electronics Corporation Shanghai, P.R.China, 200233
DRAWN: ZHOU		DATE: 201607	DATE: 201607	
CHECKER: YAO		DATE: 201607	DATE: 201607	SOCKET ASSEMBLY, VERTICAL, 0805 DIMA SOLDER TAIL, 240 POSITION/ROWER RESISTANCE TYPE
PROJECT NO: 108-60071		DATE: 201607	DATE: 201607	
OPERATION NO: 114-13154		DATE: 201607	DATE: 201607	
DATE: 201607		DATE: 201607	DATE: 201607	
CUSTOMER DRAWING		DATE: 201607	DATE: 201607	DATE: 201607