

4

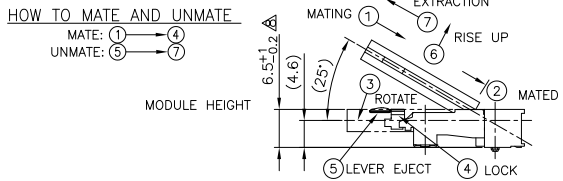
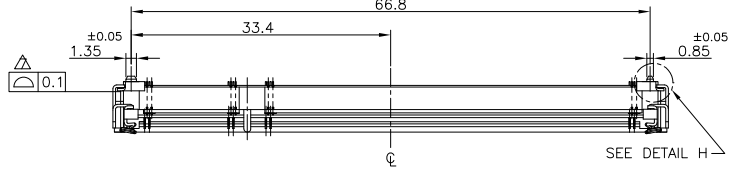
3

2

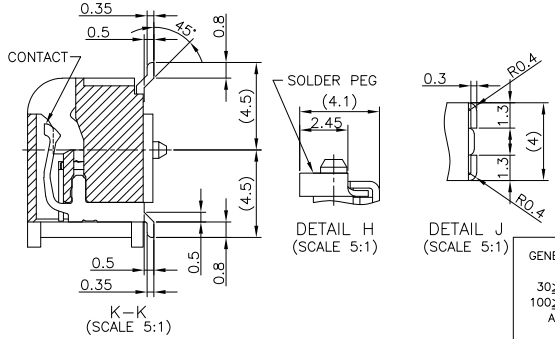
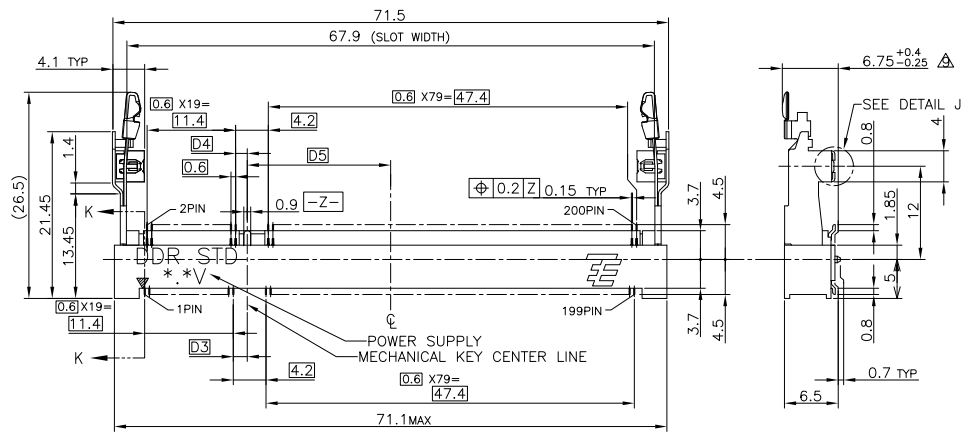
1

THIS DRAWING IS UNPUBLISHED. RELEASED FOR PUBLICATION  
 © COPYRIGHT BY TYCO ELECTRONICS CORPORATION. ALL RIGHTS RESERVED.

LOC	DIST	REVISIONS			
P	LTR	DESCRIPTION	DATE	DWN	APVD
D1		ECR-10-014882	19JUL10	B.W	S.Y



- (APPLIED TO SHEET 1-2)
- MATERIAL ; HOUSING: HIGH TEMPERATURE THERMO PLASTIC UL94V-0  
 CONTACT: COPPER ARROY  
 LOCK LEVER: STAINLESS STEEL  
 SOLDER PEG: COPPER ARROY
  - FINISH ; CONTACT AREA: GOLD FLASH ON 0.0013MIN ALL OVER NICKEL.  
 SOLDERING AREA: GOLD FLASH PLATING.  
 SOLDER PEG POSITION: TIN PLATING.
- MECHANICAL KEY POSITION OF CONNECTOR SEE TABLE.
  - TOLERANCES NON-CUMULATIVE.
  - NOT TO SCALE.
  - INSIDE MUST BE RESIST COAT EXCEPT SOLDER PATTERN.
  - COPLANARITY : 0.1 MAX.
  - THE FLOATING VALUE BY SOLDERING IS NOT INCLUDED.
  - NOT MATING CONDITION.
  - IF THE MODULE DOESN'T INSERT AND LOCK IN THE LATCH SMOOTHLY, OPEN WIDE BOTH LATCHES BY MANUAL. AND THE MODULE MUST BE INSERTED AND LOCKED IN THE LATCH.



EMBOSS	AVAILABLE	GRAY	1.8V (DDR2)	17.55	2.4	2.7	200	6-1746530-4
TRAY	AVAILABLE	GRAY	1.8V (DDR2)	17.55	2.4	2.7	200	5-1746530-4
-	NOT AVAILABLE	BLACK	1.8V (DDR2)	17.55	2.4	2.7	200	-
-	NOT AVAILABLE	GRAY	2.5V (DDR1)	18.45	1.5	1.8	200	-
-	NOT AVAILABLE	BLACK	2.5V (DDR1)	18.45	1.5	1.8	200	-

PACKAGE	TOOLING STATUS	HOUSING COLOR	POWER SUPPLY	D5	D4	D3	POS	PART NO.

AMP 1470-19 REV 31MAR2000

THIS DRAWING IS A CONTROLLED DOCUMENT.

DWN	T. FUMIKURA	11MAY04	Tyco Electronics AMP K.K. Kawasaki, Japan
CHK	T. KUSUHARA	11MAY04	
APVD	H. MURAMATSU	11MAY04	
DIMENSIONS: MM TOLERANCES UNLESS OTHERWISE SPECIFIED: 0 PLC ± 1 PLC ± 2 PLC ± 3 PLC ± 4 PLC ± ANGLES ±			NAME
MATERIAL FINISH			DRR1 & DDR2 SODIMM SOCKET 0.6mm PITCH 200POS 6.5 HEIGHT STANDARD TYPE
GENERAL TOLERANCE 10>:±0.2 30> >10:±0.25 100> >30:±0.3 ANGLES:±3°			PRODUCT SPEC <b>108-5701</b> APPLICATION SPEC WEIGHT 5.7g SIZE A3 CAGE CODE 00779 DRAWING NO. C-1746530 RESTRICTED TO
CUSTOMER DRAWING			SCALE 2:1 SHEET 1 OF 5 REV D1

4

3

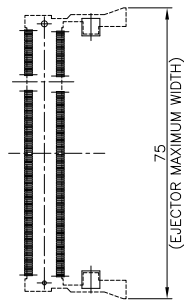
2

1

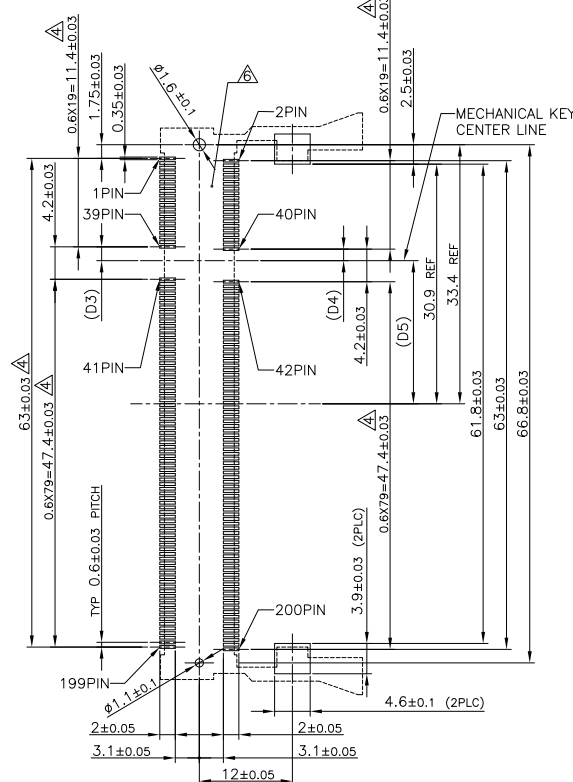
THIS DRAWING IS UNPUBLISHED. RELEASED FOR PUBLICATION  
 © COPYRIGHT BY TYCO ELECTRONICS CORPORATION. ALL RIGHTS RESERVED.

LOC	DIST	REVISIONS			
P	LTR	DESCRIPTION	DATE	DWN	APVD
-	-	SEE SHEET 1	-	-	-

REFERENCE P.C.BOARD PATTERN LAYOUT  
 (CONNECTOR MOUNTING SIDE)



REAL SIZE (SCALE 1:1)



1.8V	17.55	2.4	2.7
2.5V	18.45	1.5	1.8
POWER SUPPLY	D5	D4	D3

THIS DRAWING IS A CONTROLLED DOCUMENT.		DWN	Tyco Electronics Tyco Electronics AMP K.K. Kawasaki, Japan	
DIMENSIONS:	TOLERANCES UNLESS OTHERWISE SPECIFIED:	CHK	NAME	RESTRICTED TO
MM	0 PLC ±	APVD	DDR1 & DDR2 SODIMM SOCKET	-
	1 PLC ±	PRODUCT SPEC	0.6mm PITCH 200POS	
	2 PLC ±	APPLICATION SPEC	6.5 HEIGHT STANDARD TYPE	
	3 PLC ±	WEIGHT	SIZE	
	4 PLC ±		A3	
MATERIAL	FINISH		CAGE CODE	
			00779	
			DRAWING NO	
			C=1746530	
CUSTOMER DRAWING		SCALE	SHEET	REV
		2:1	2 OF 5	D1

AMP 1470-19 REV 31MAR2000

4

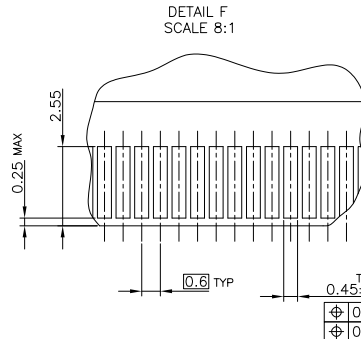
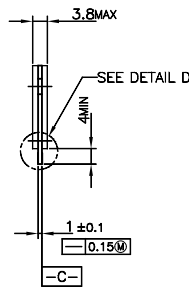
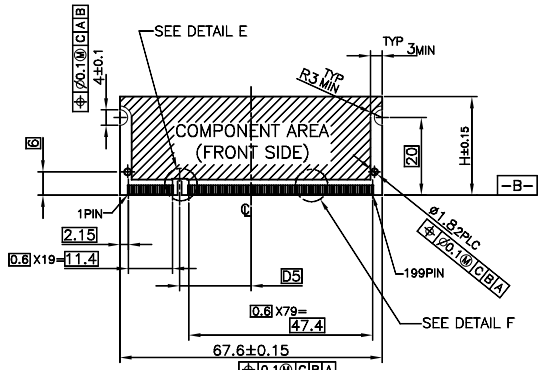
3

2

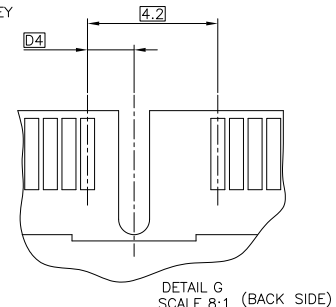
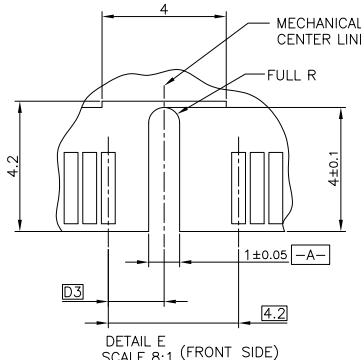
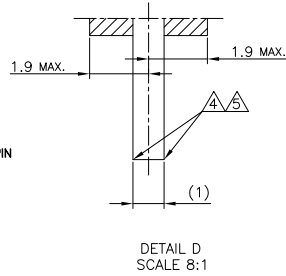
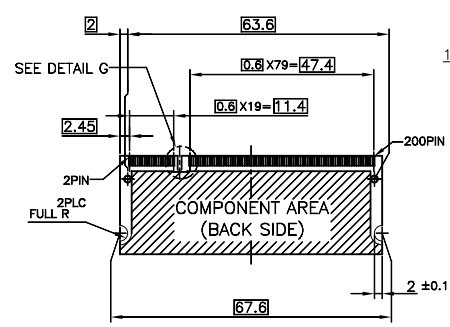
1

THIS DRAWING IS UNPUBLISHED. RELEASED FOR PUBLICATION  
 © COPYRIGHT BY TYCO ELECTRONICS CORPORATION. ALL RIGHTS RESERVED.

LOC	DIST	REVISIONS				
P	LTR	DESCRIPTION	DATE	DWN	APVD	
-	-	SEE SHEET 1	-	-	-	



- (APPLIED TO SHEET 3)  
 1. TOLERANCES ON ALL DIMENSIONS ±0.15 UNLESS OTHERWISE SPECIFIED.  
 2. P.C.BOARD THICKNESS APPLIES ACROSS TABS AND INCLUDES PLATING AND/OR METALIZATION.  
 3. FINISH OF PAD: GOLD PLATING 0.00076 MIN. OVER Ni PLATING 0.002MIN.  
 ▲ NO BURR  
 ▲ CHAMFER 0.25 MAX x 45° IF EXIST.



RECOMMENDED MATING P.C.B CONFIGURATION

31.75	1.8V	17.55	2.4	2.7
25.4	2.5V	18.45	1.5	1.8
H	POWER SUPPLY	D5	D4	D3

THIS DRAWING IS A CONTROLLED DOCUMENT.

DIMENSIONS:	TOLERANCES UNLESS OTHERWISE SPECIFIED:	DWN	CHK	Tyco Electronics AMP K.K. Kawasaki, Japan NAME DDR1 & DDR2 SODIMM SOCKET 0.6mm PITCH 200POS 6.5 HEIGHT STANDARD TYPE SIZE CAGE CODE DRAWING NO RESTRICTED TO A3 00779 C=1746530 - CUSTOMER DRAWING SCALE 2:1 SHEET 3 OF 5 REV D1
MM	0 PLC ±	APVD	PRODUCT SPEC	
	1 PLC ±		APPLICATION SPEC	
	2 PLC ±		WEIGHT	
	3 PLC ±			
	4 PLC ±			
	4 PLC ANGLES ±			
MATERIAL	FINISH			

4

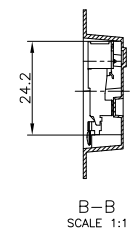
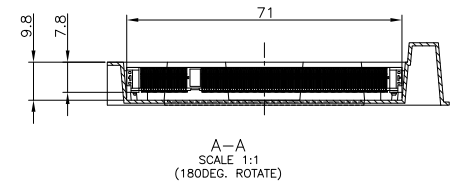
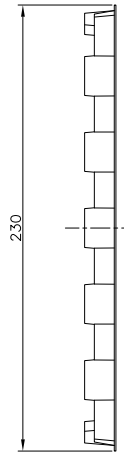
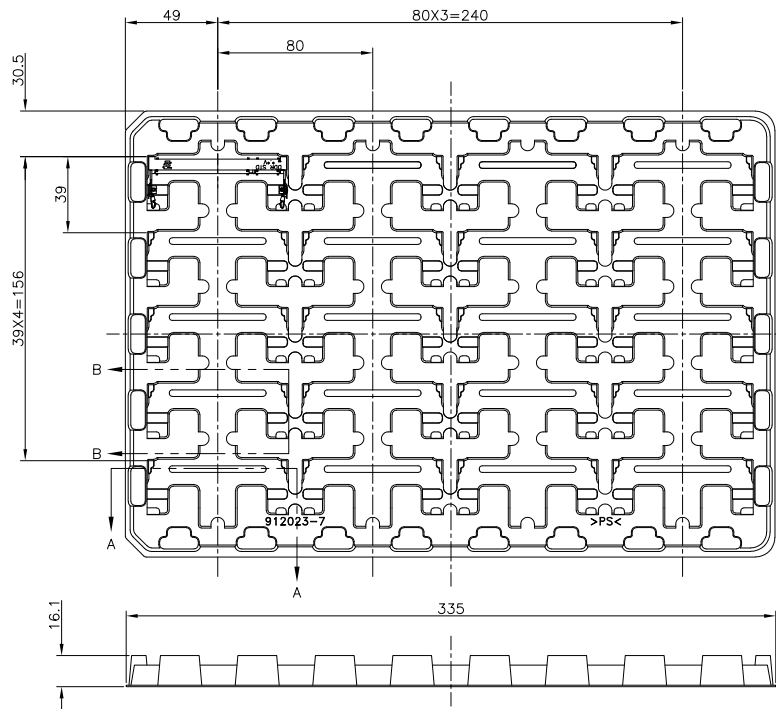
3

2

1

THIS DRAWING IS UNPUBLISHED. RELEASED FOR PUBLICATION  
 © COPYRIGHT BY TYCO ELECTRONICS CORPORATION. ALL RIGHTS RESERVED.

LOC	DIST	REVISIONS				
P	LTR	DESCRIPTION	DATE	DWN	APVD	
-	-	SEE SHEET 1	-	-	-	



AVAILABLE	20EA/TRAY	GRAY	5-1746530-4
NOT AVAILABLE		GRAY	-
TOOLING STATUS	QTY	CONNECTOR COLOR	P/N

- (APPLIED TO SHEET 4)
1. THE DIRECTION OF EACH CONNECTOR ON A TRAY IS REFERRED TO THIS DRAWING.
  2. GENERAL TOLERANCE:  $\pm 0.5$

THIS DRAWING IS A CONTROLLED DOCUMENT.		DWN		Tyco Electronics AMP K.K. Kawasaki, Japan	
DIMENSIONS: MM		TOLERANCES UNLESS OTHERWISE SPECIFIED:		NAME	
0 PLC $\pm$		1 PLC $\pm$		DDR1 & DDR2 SODIMM SOCKET	
1 PLC $\pm$		2 PLC $\pm$		0.6mm PITCH 200POS	
2 PLC $\pm$		3 PLC $\pm$		6.5 HEIGHT STANDARD TYPE	
3 PLC $\pm$		4 PLC $\pm$		SIZE CAGE CODE DRAWING NO	
4 PLC $\pm$		ANGLES $\pm$		A3 00779 C=1746530	
MATERIAL		FINISH		RESTRICTED TO	
				-	
				CUSTOMER DRAWING	
				SCALE 2:1 SHEET 4 OF 5 REV D1	

4

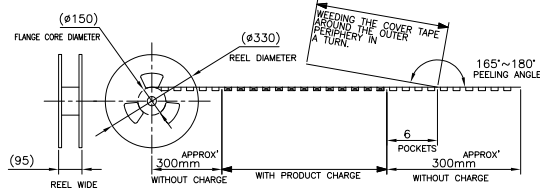
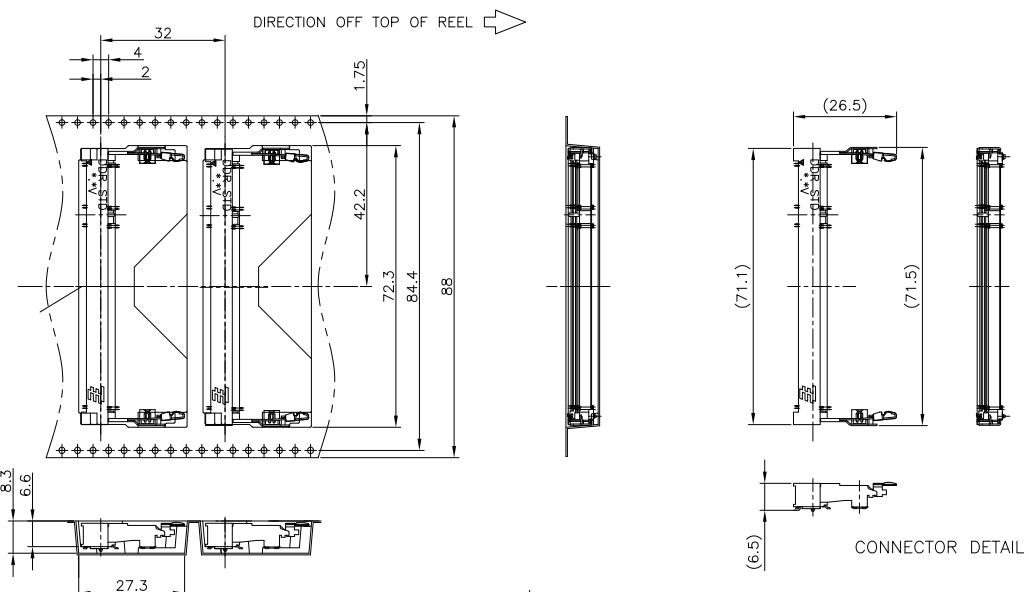
3

2

1

THIS DRAWING IS UNPUBLISHED. RELEASED FOR PUBLICATION  
 © COPYRIGHT BY TYCO ELECTRONICS CORPORATION. ALL RIGHTS RESERVED.

LOC	DIST	REVISIONS			
P	LTR	DESCRIPTION	DATE	DWN	APVD
-	-	SEE SHEET 1	-	-	-



AVAILABLE	150EA/REEL	GRAY	6-1746530-4
TOOLING STATUS	QTY	CONNECTOR COLOR	P/N

THIS DRAWING IS A CONTROLLED DOCUMENT.		DWN	Tyco Electronics AMP K.K. Kawasaki, Japan	
DIMENSIONS:	TOLERANCES UNLESS OTHERWISE SPECIFIED:	CHK	NAME	
MM	0 PLC ±	APVD	DDR1 & DDR2 SODIMM SOCKET	
	1 PLC ±	PRODUCT SPEC	0.6mm PITCH 200POS	
	2 PLC ±	APPLICATION SPEC	6.5 HEIGHT STANDARD TYPE	
	3 PLC ±	WEIGHT	SIZE	RESTRICTED TO
	4 PLC ±	CUSTOMER DRAWING	A3	-
MATERIAL	FINISH	00779	DRAWING NO	1746530
		SCALE	SHEET	REV
		1:1	5 OF 5	D1

AMP 1470-19 REV 31MAR2000